

18

VUE A

17

24

19

1

2

29

16

15

14

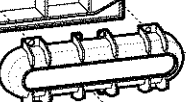
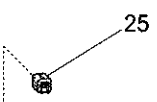
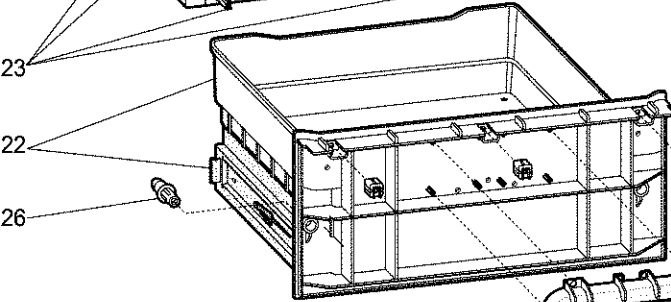
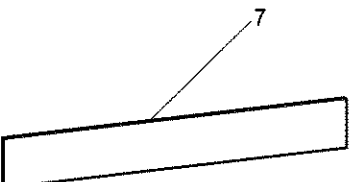
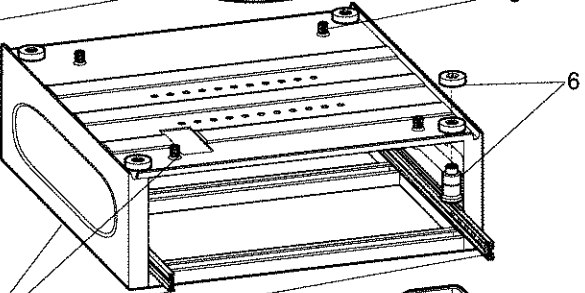
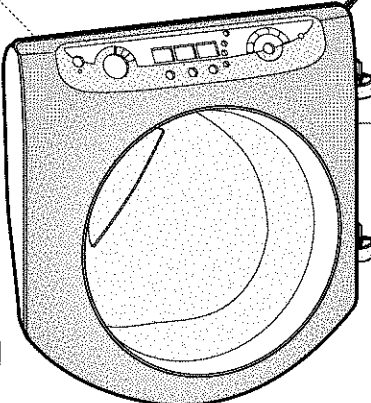
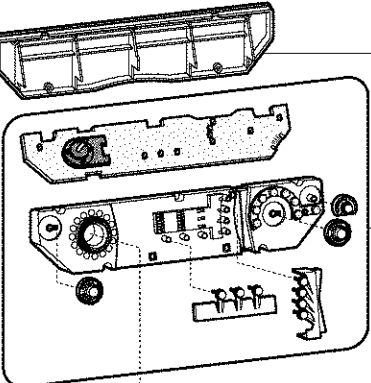
13

12

11

10

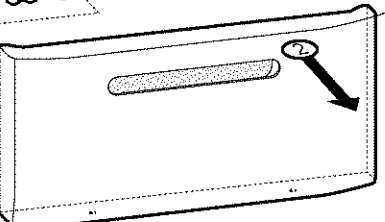
9



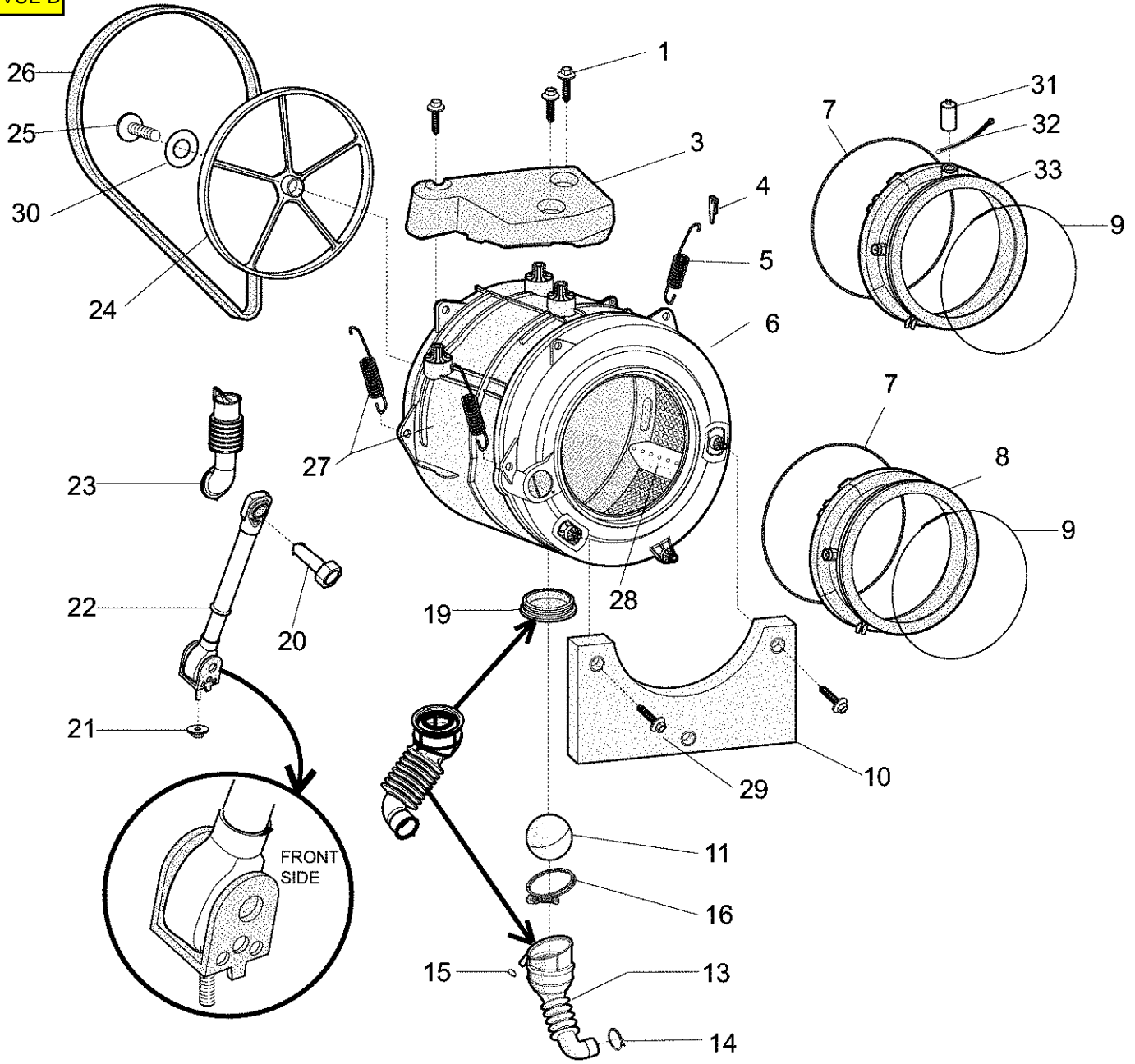
28

27

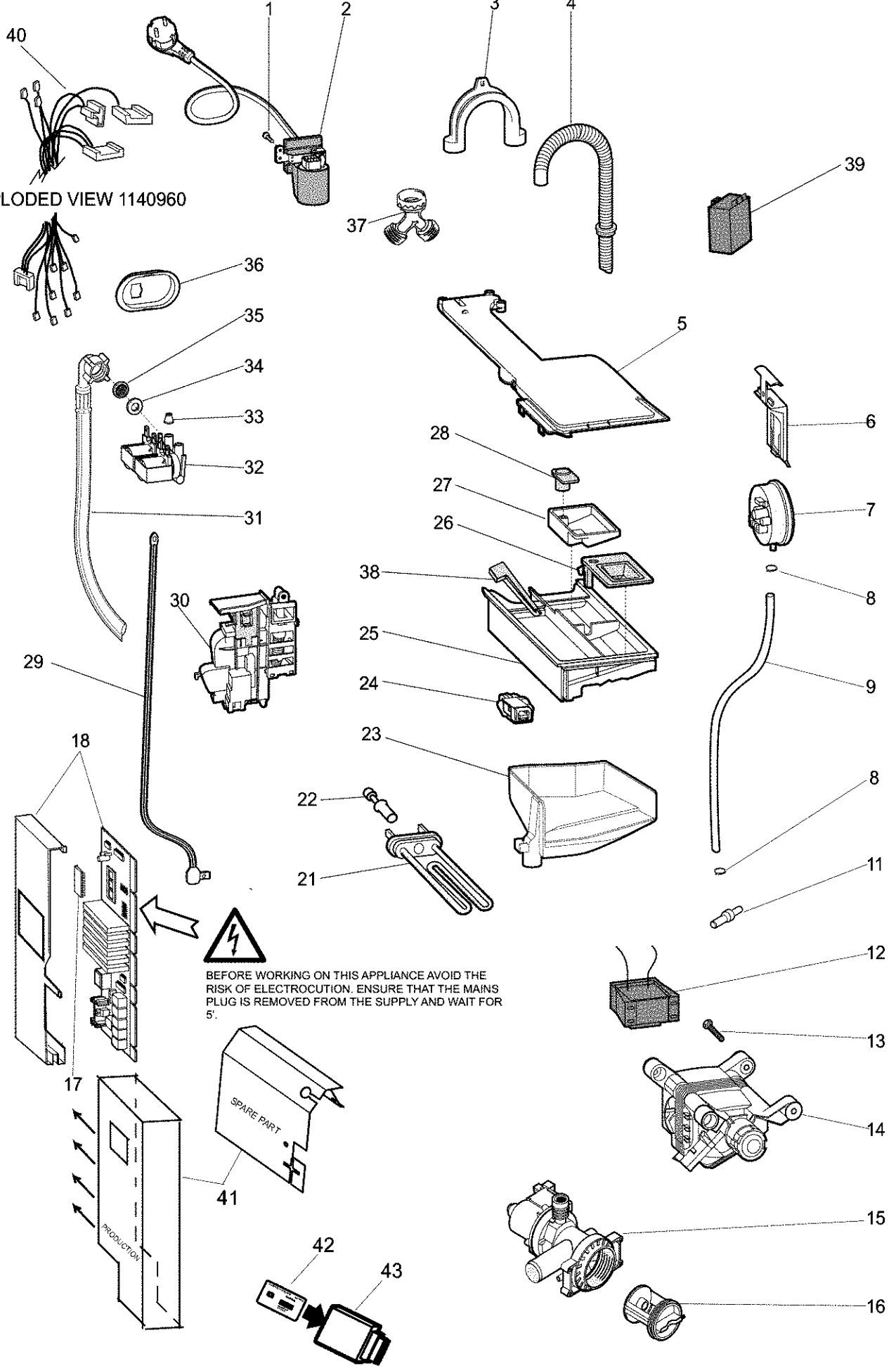
8



VUE B



EXPLODED VIEW 1140960



BEFORE WORKING ON THIS APPLIANCE AVOID THE RISK OF ELECTROCUTION. ENSURE THAT THE MAINS PLUG IS REMOVED FROM THE SUPPLY AND WAIT FOR 5'.

