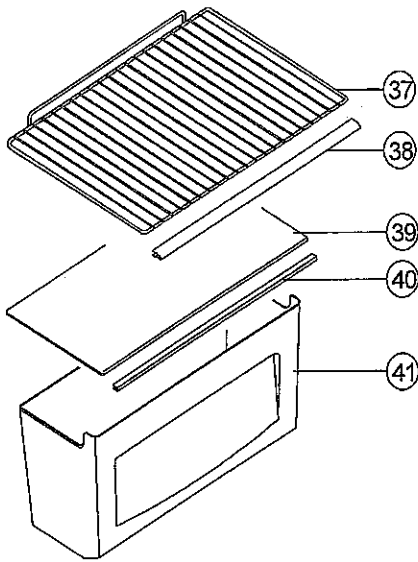
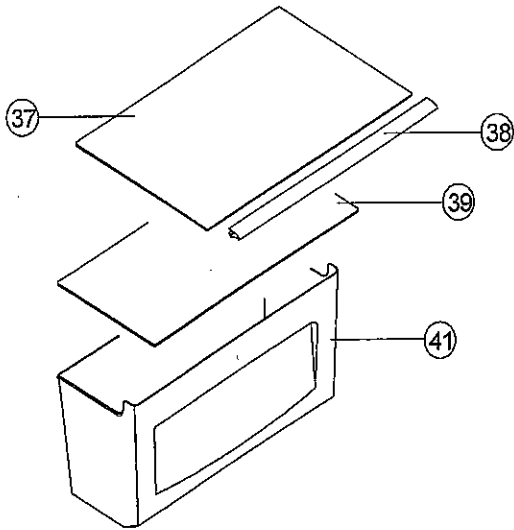
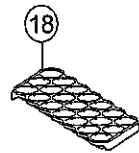


**WIRE SHELF DESGIN**

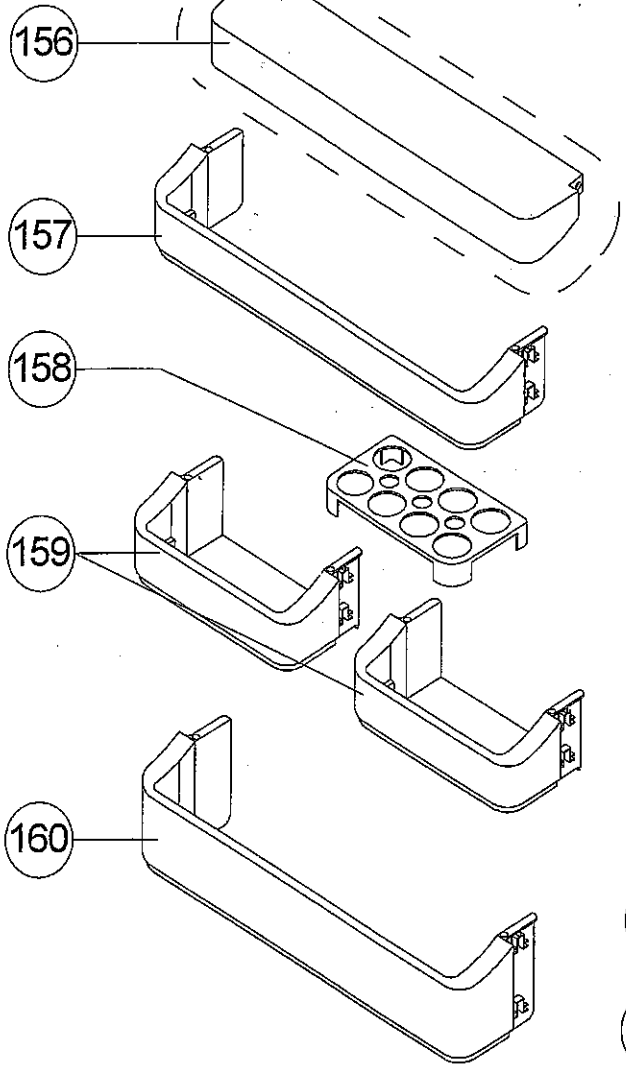
**GLASS SHELF DESGIN**



**OPTIONAL**



OPTIONAL



OPTIONAL

