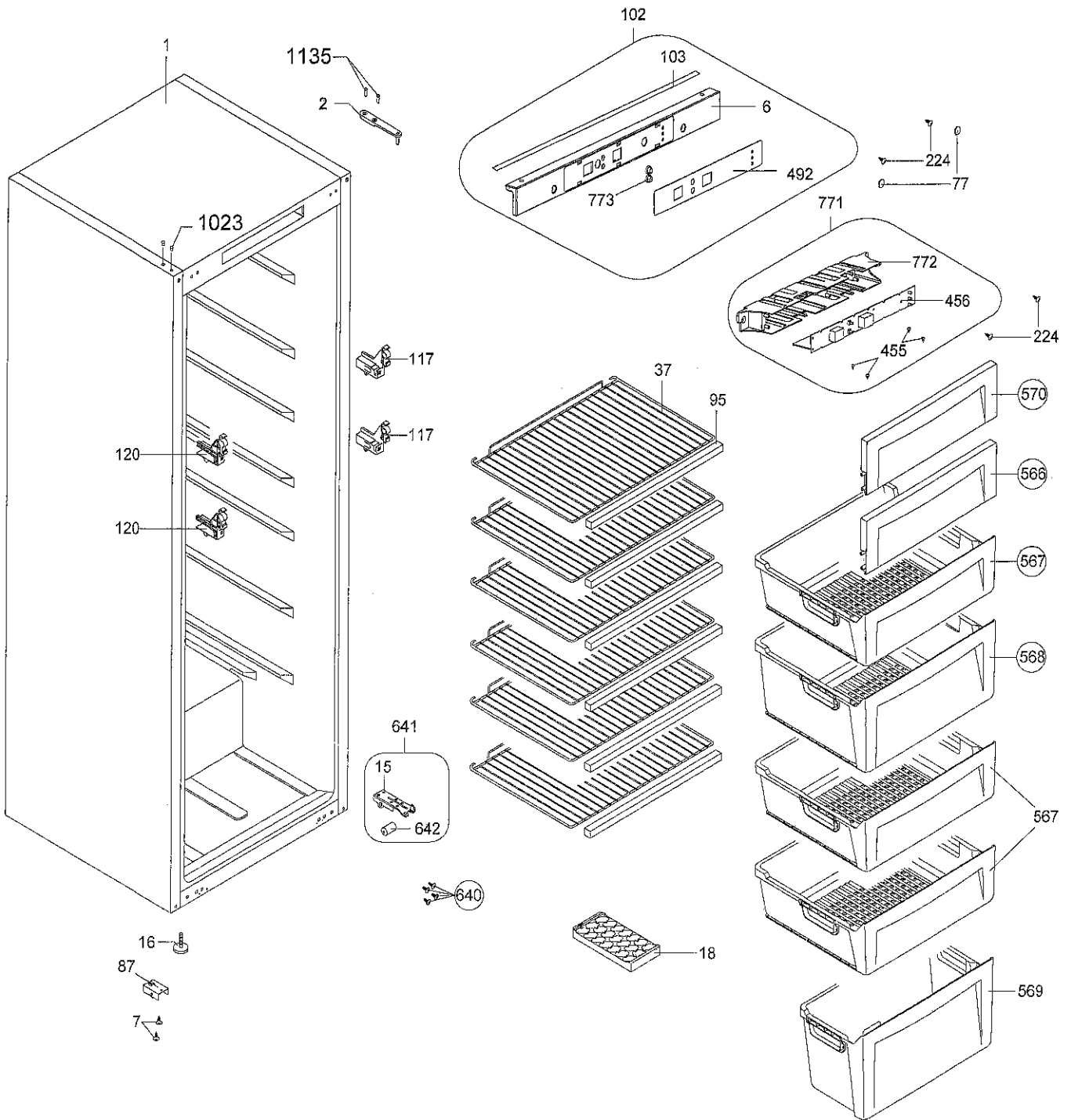
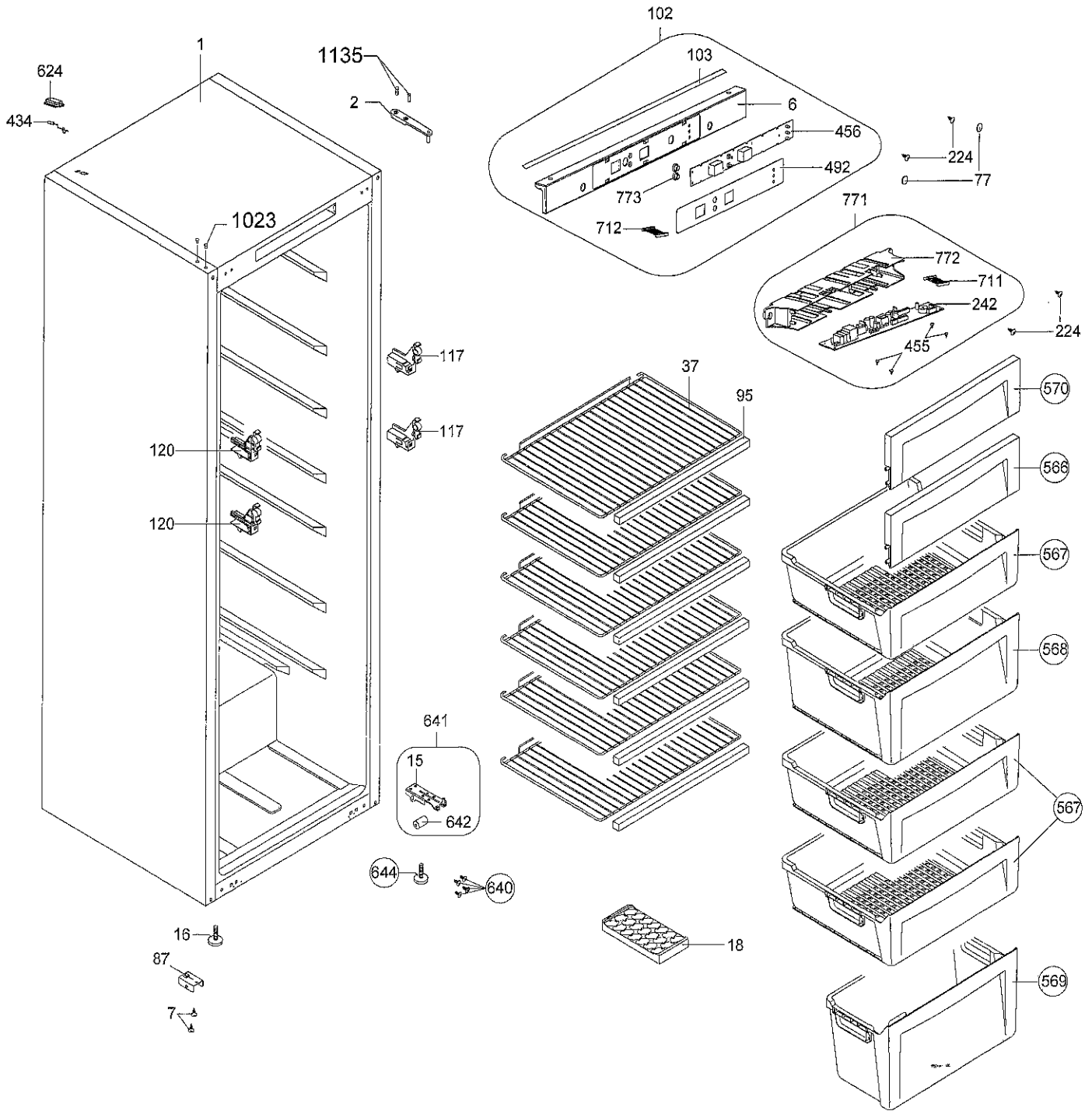


BEFORE DATE 26.02.2013

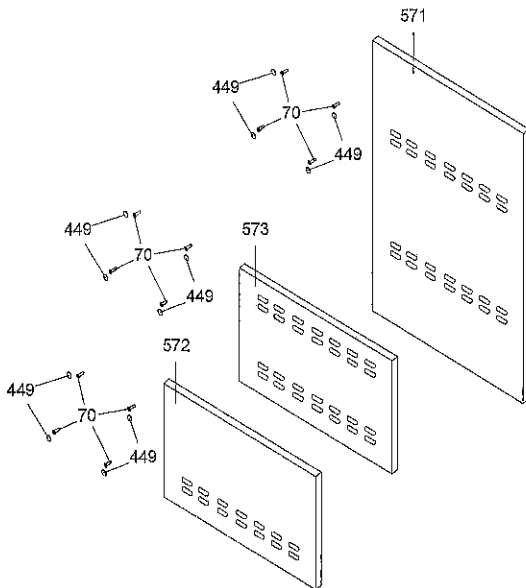
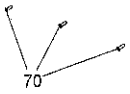
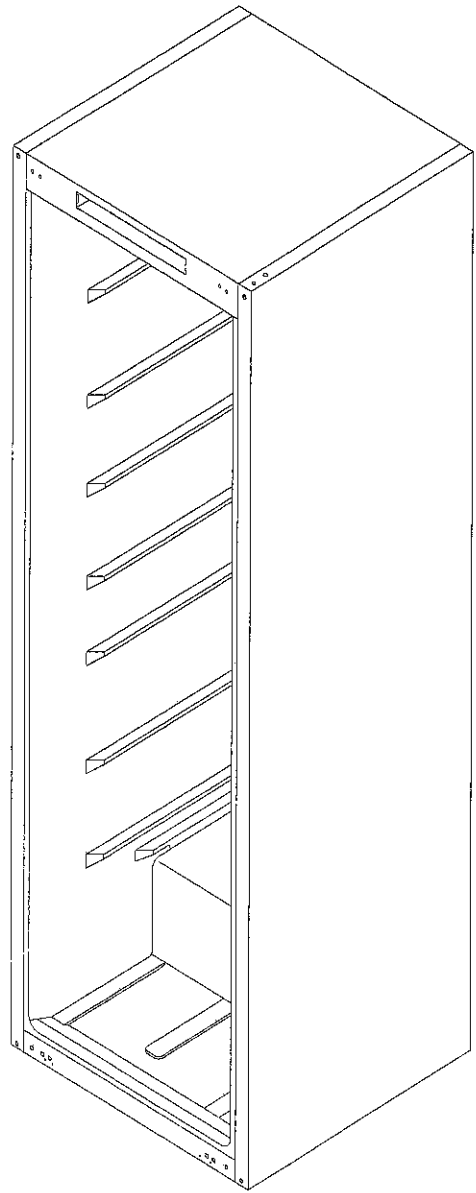
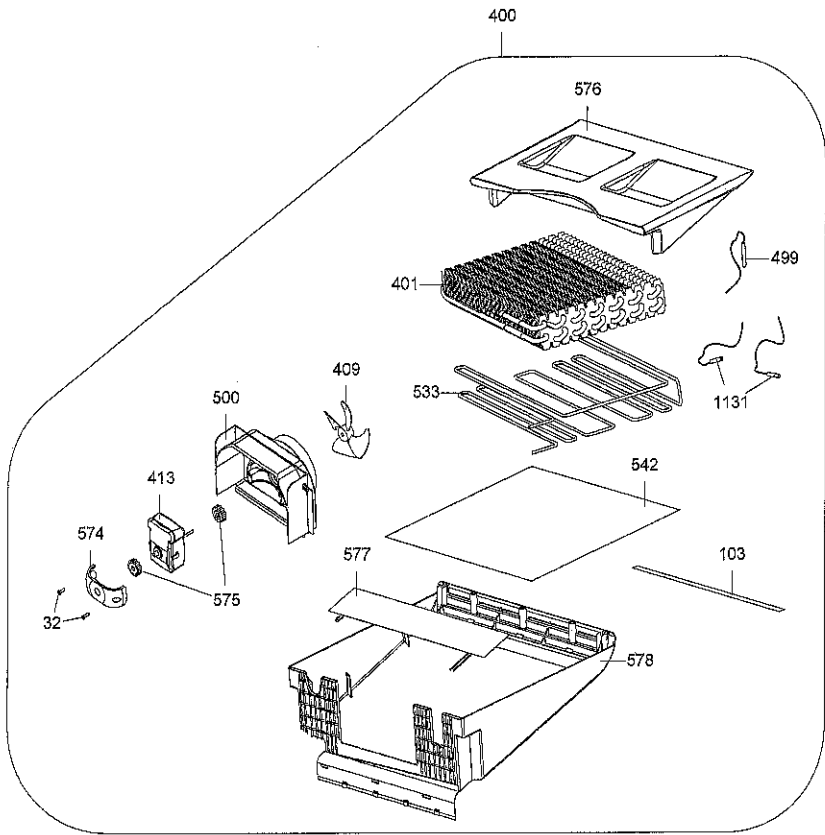


JUNE 2013

AFTER DATE 26.02.2013



JUNE 2013



151

OPTIONAL

154

155

1133

1006

1007

151

174

7

JUNE 2013

