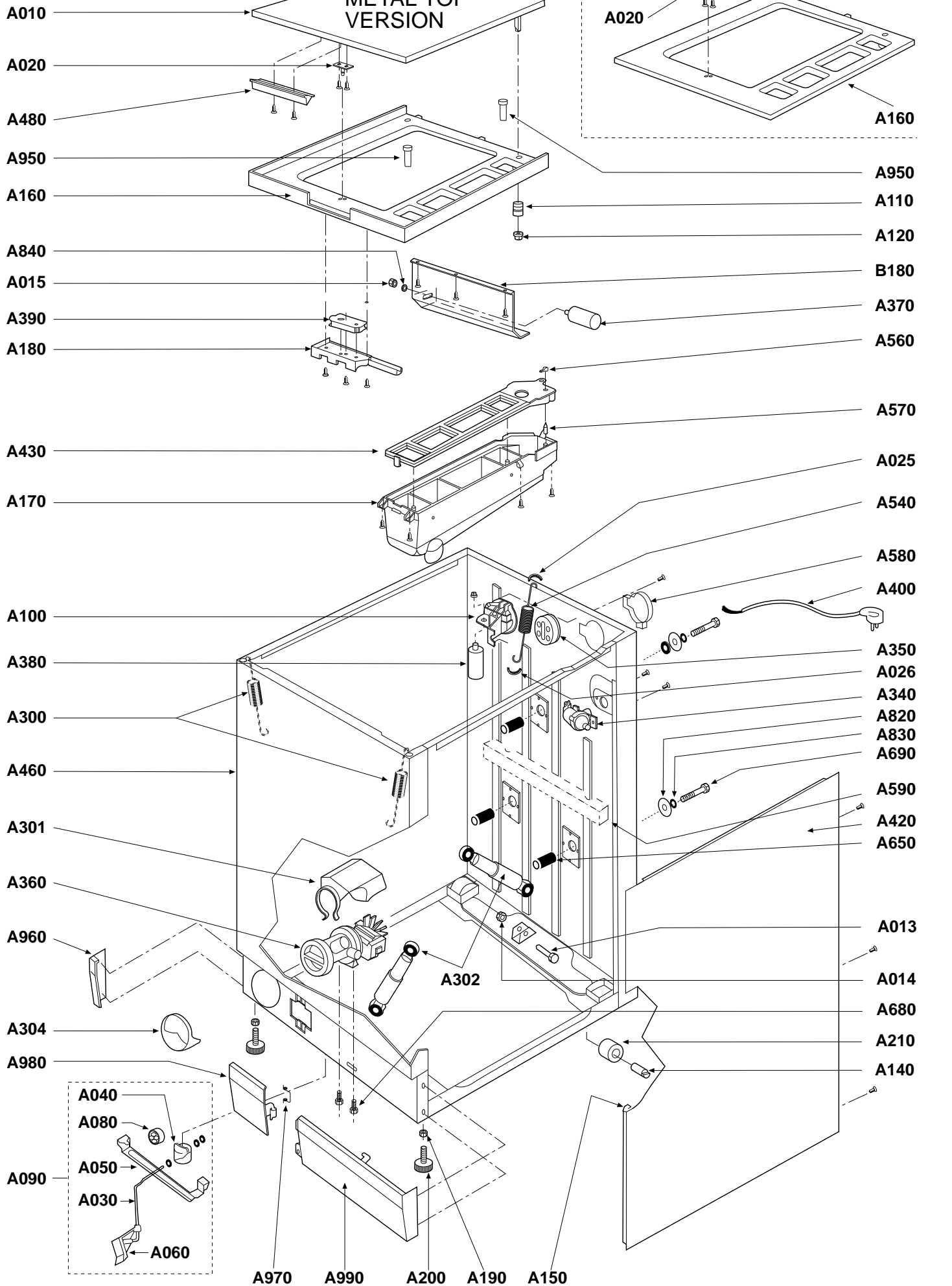


999016294

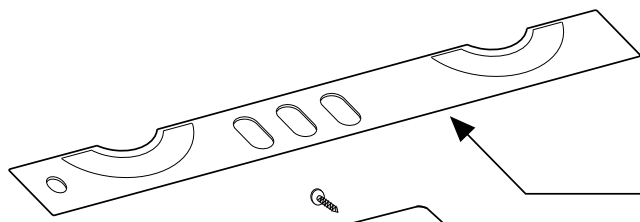
CABINET T40  
HIGH SPIN SPEED  
800-1000-1200 r.p.m.  
18-11-98



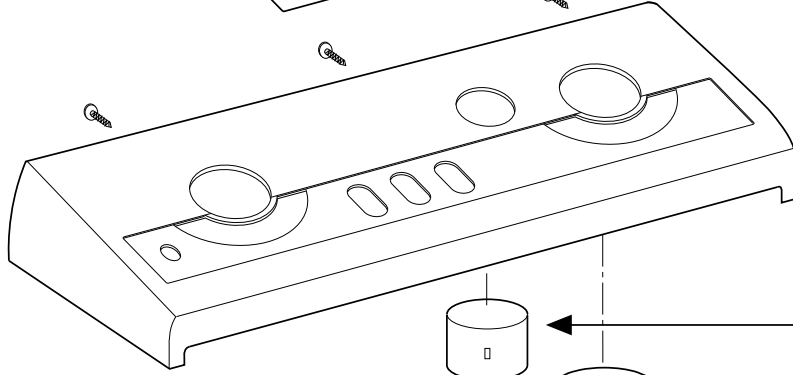
999016317

FRONT. "F" - T40  
23/11/98

B050



B320



B110



B460



B110



B017



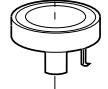
B160



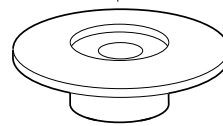
B018



B410



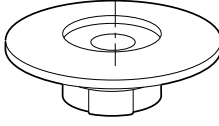
B300



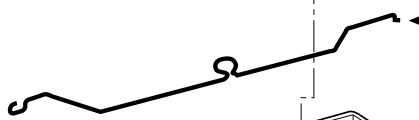
B470



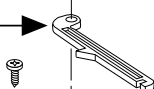
B120



B290



B260



B016



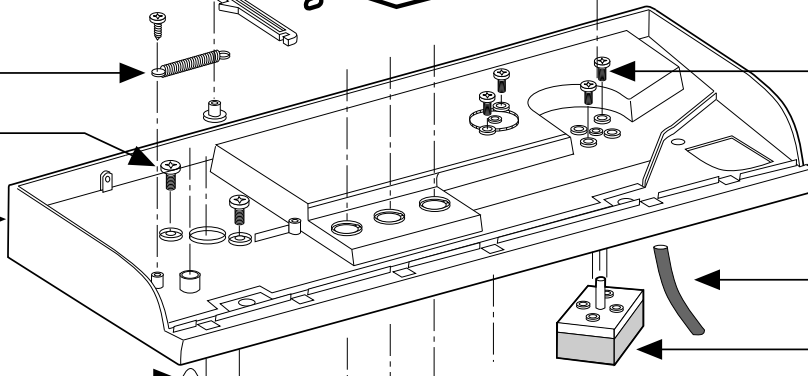
B250



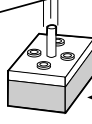
B015



B150



B240



B010



B210



B011



B420



B009



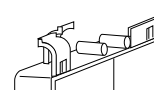
B020



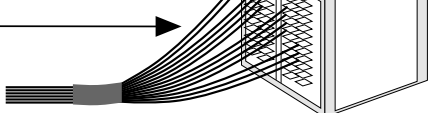
B030



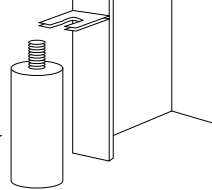
B350



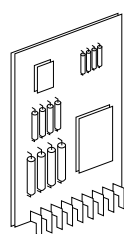
B040



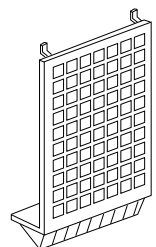
B004



B340

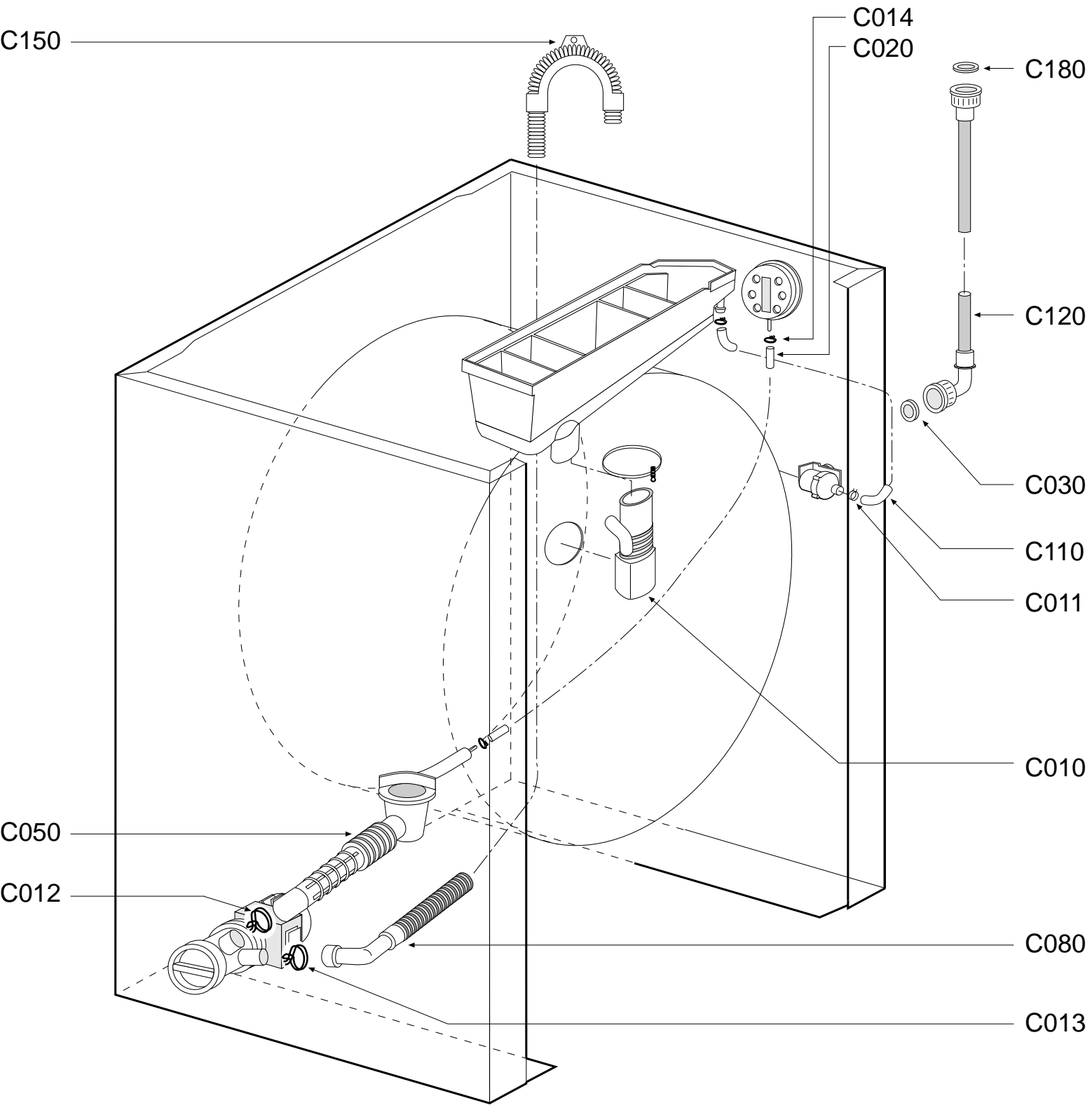


B520



**999016331**

LBCA T40 - AF - STANDARD  
02/12/98



999016348 06/07/2000  
 ENAMELLED TUB T40-T45  
 WITH DOOR GASKET

