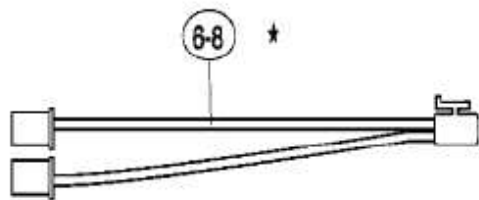
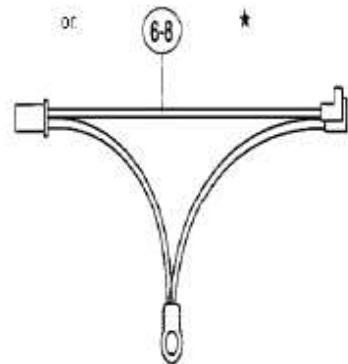


Actual wire harness may be different from illustration.



or



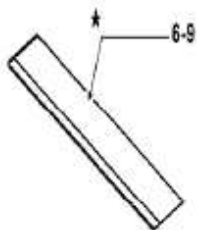
Actual wire harness may be different from illustration.



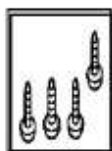
or



ADDITIONAL FEET & SCREWS		*
DESCRIPTION	POS.	
FOOT LARGE	(2-11)	



FIXING BRACKETS & SCREWS		*
DESCRIPTION		
WOOD SCREWS (7-18a)		
HOOK	(4-29)	
SPACER SET	(4-30)	



7-18