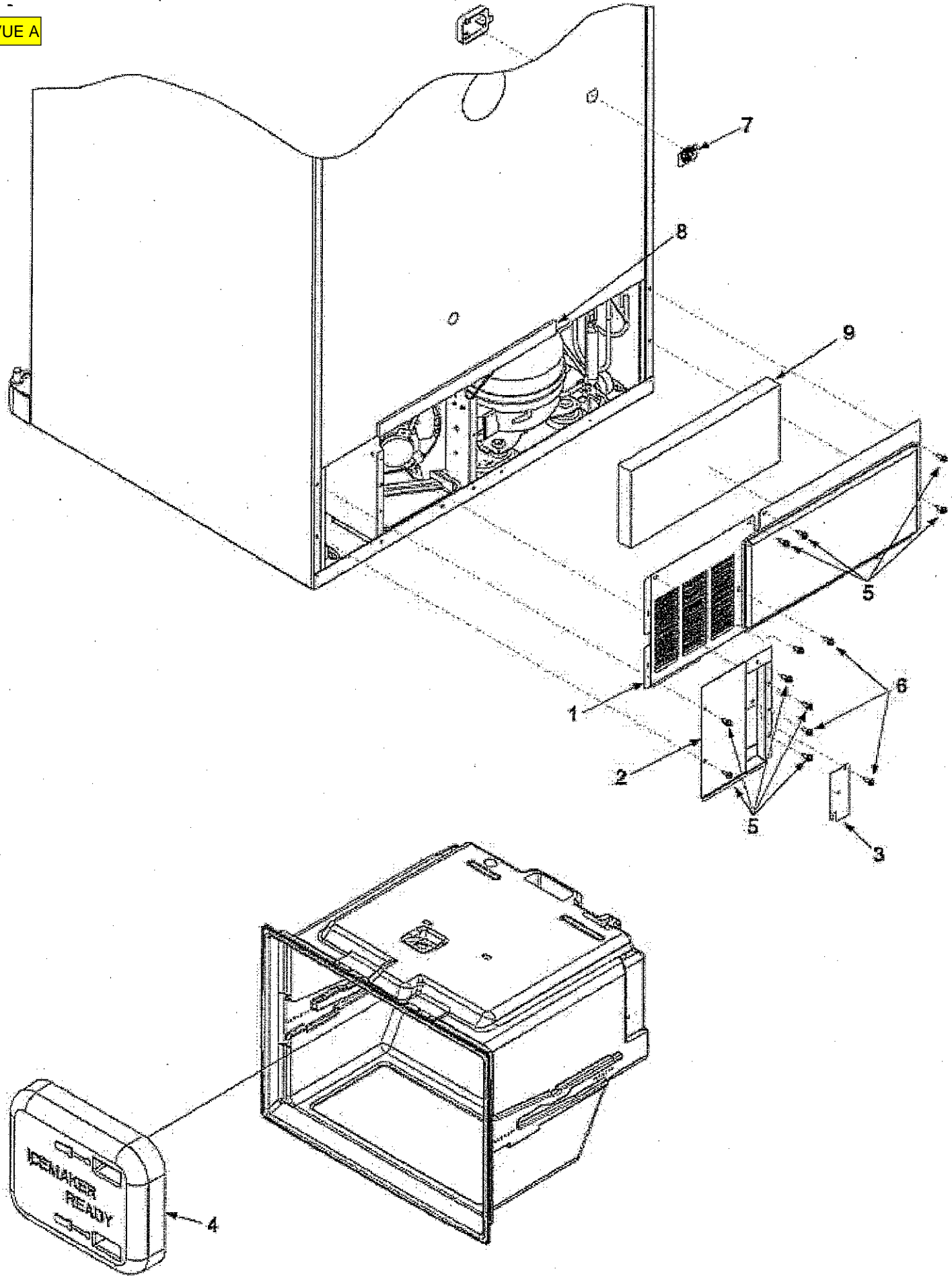
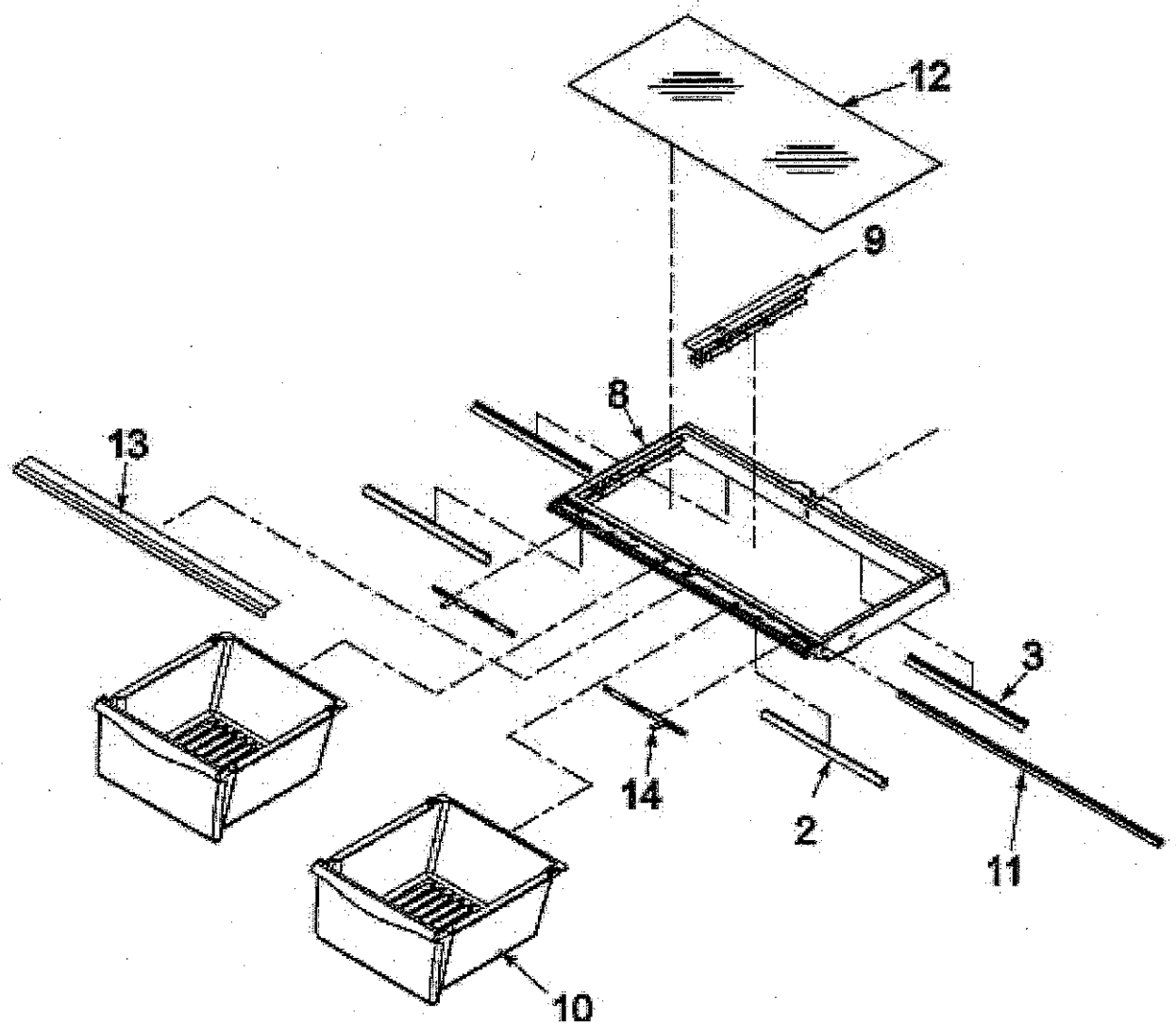
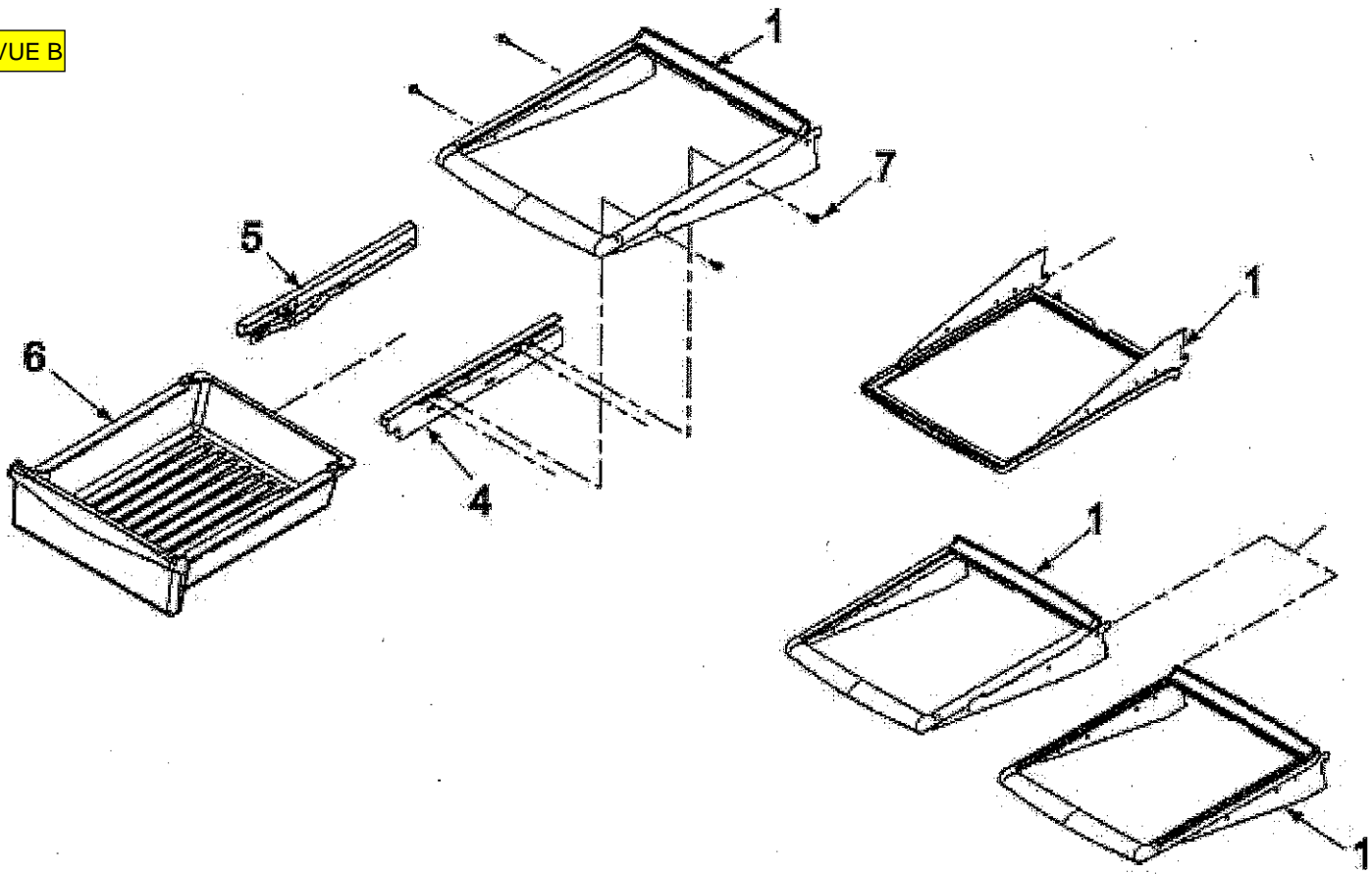
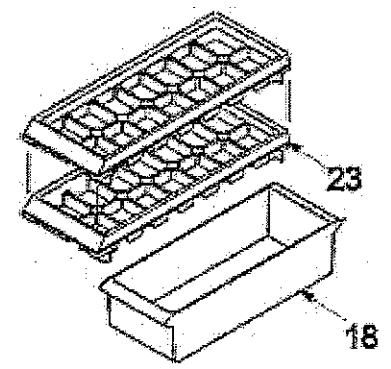
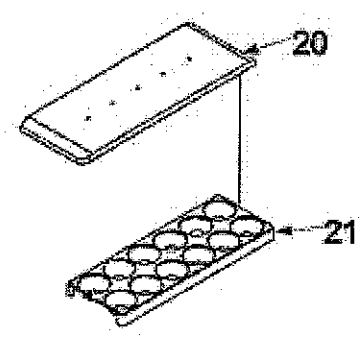
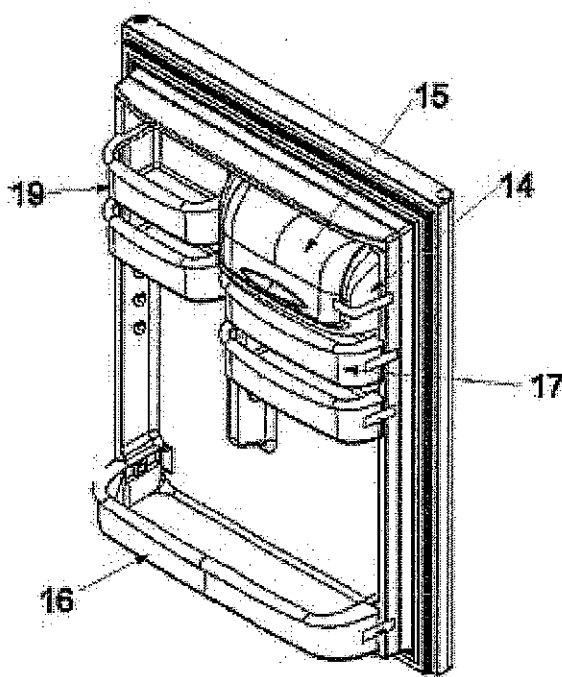
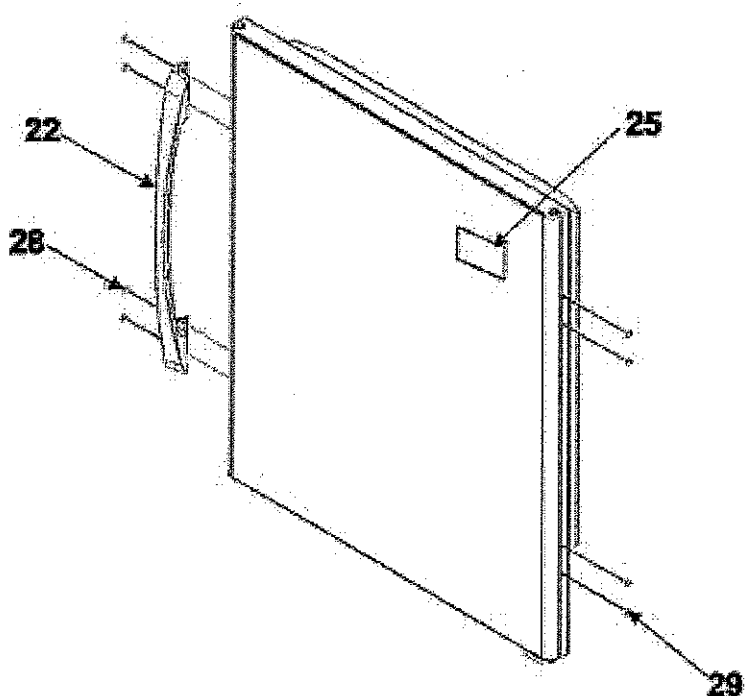
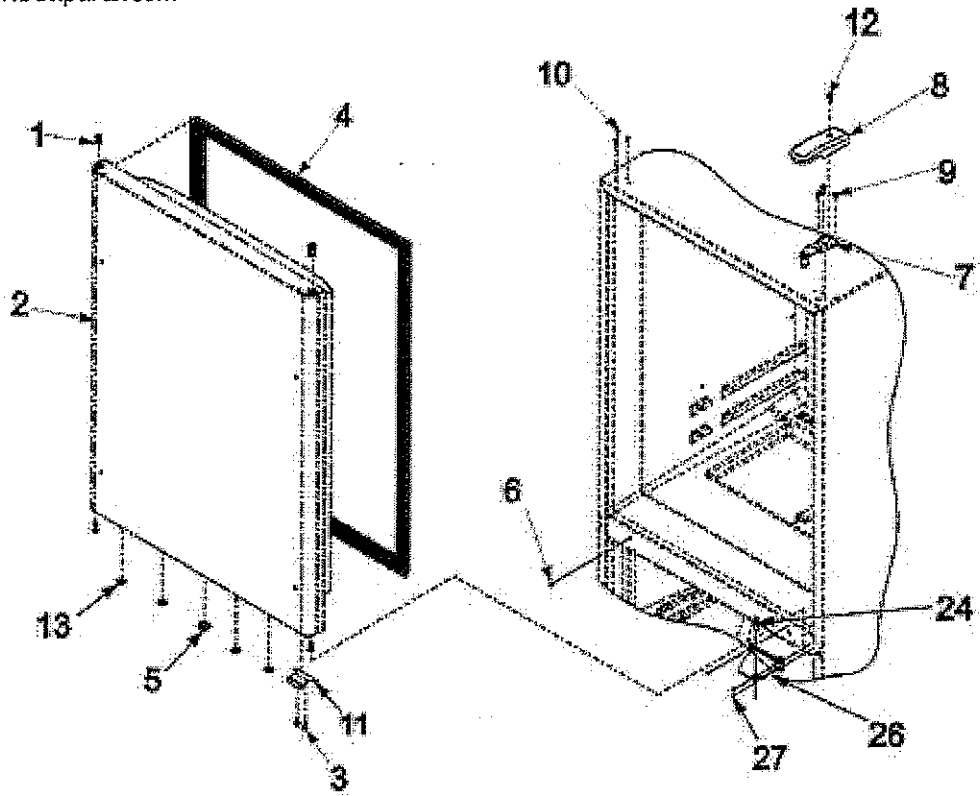


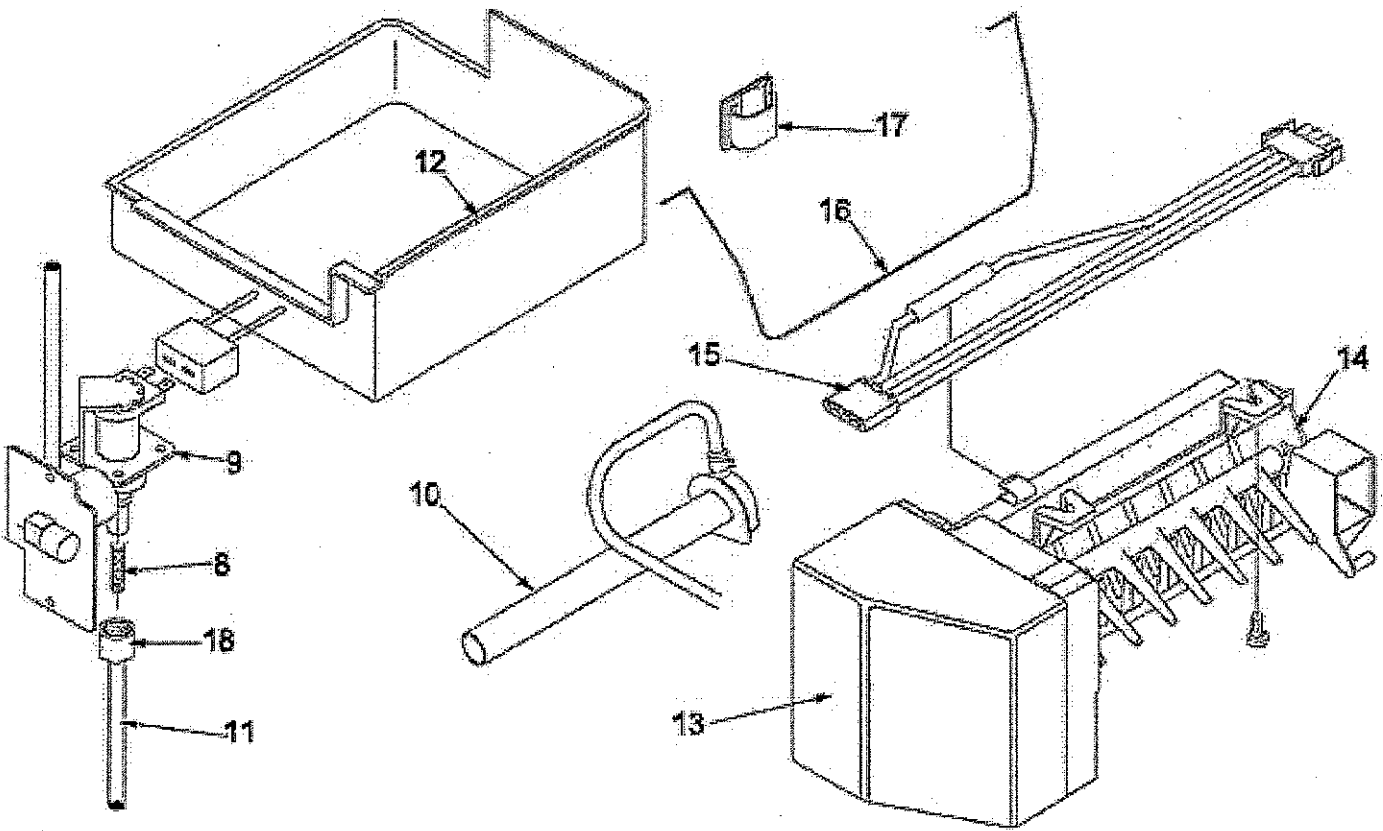
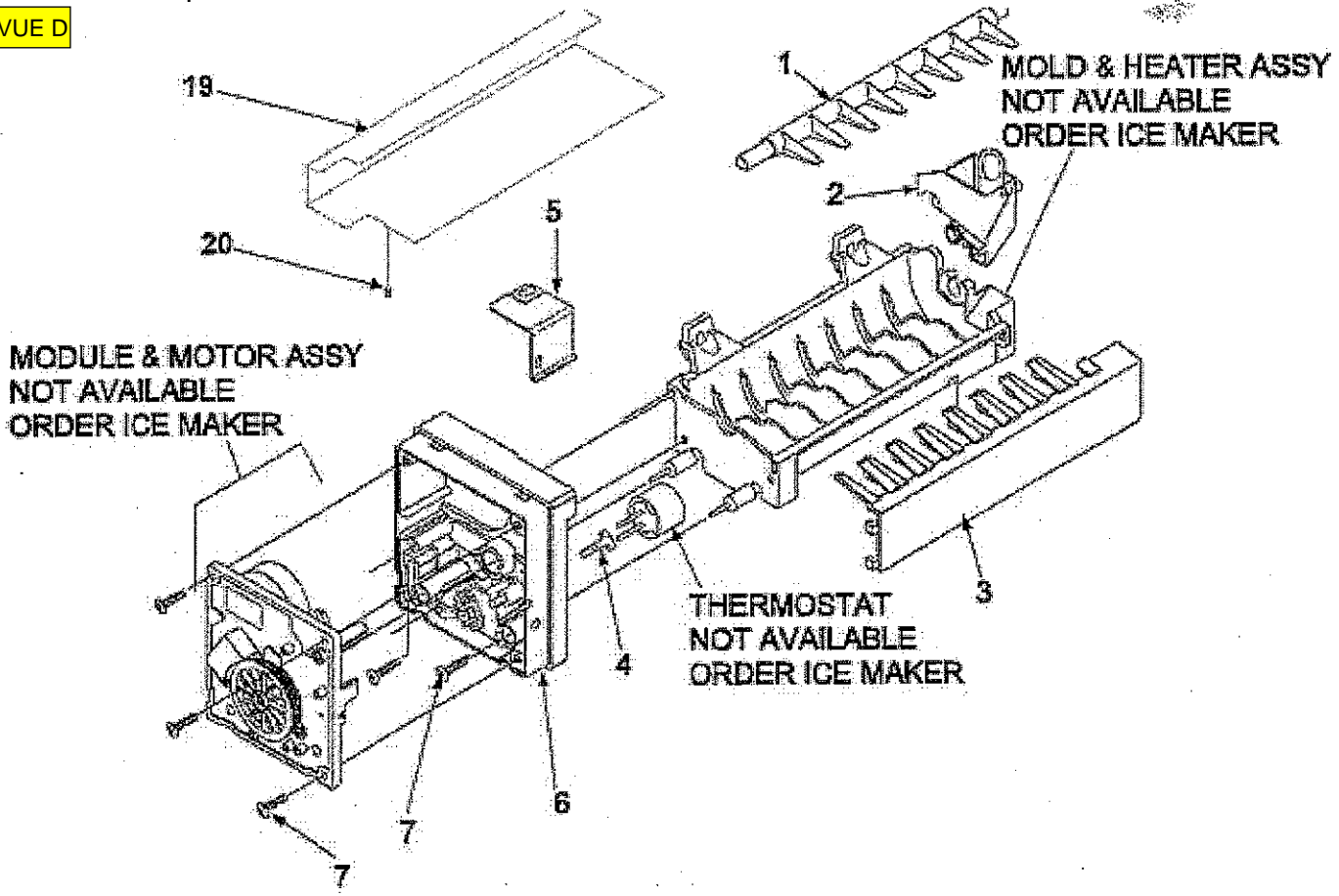
VUE A

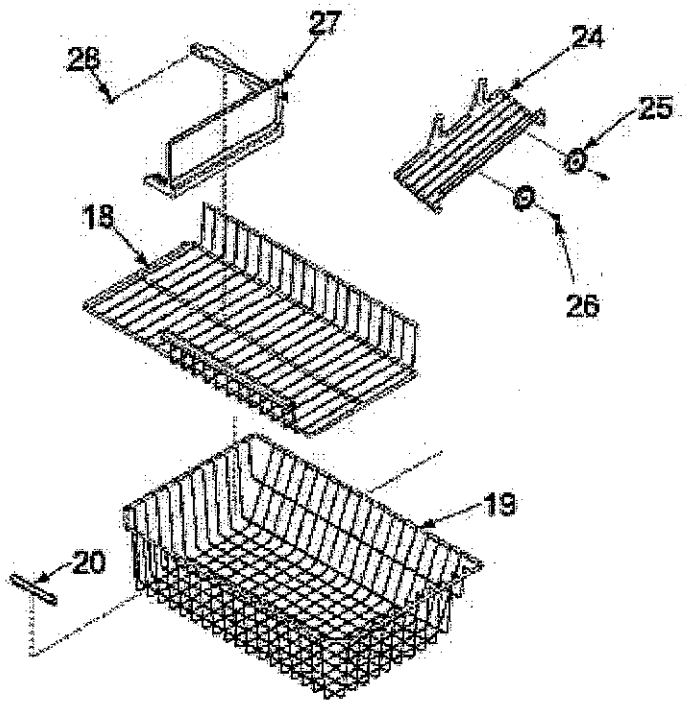
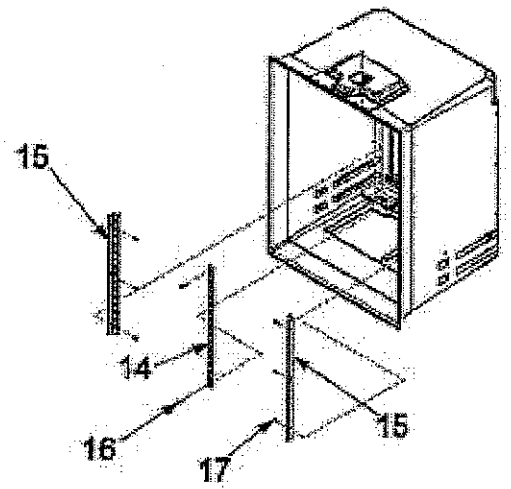
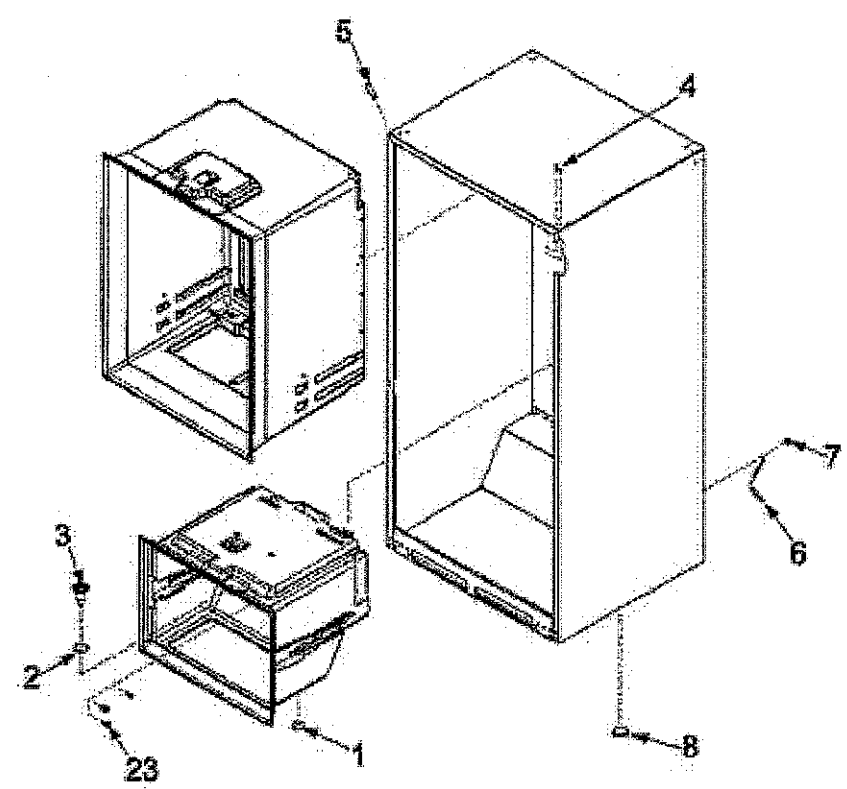
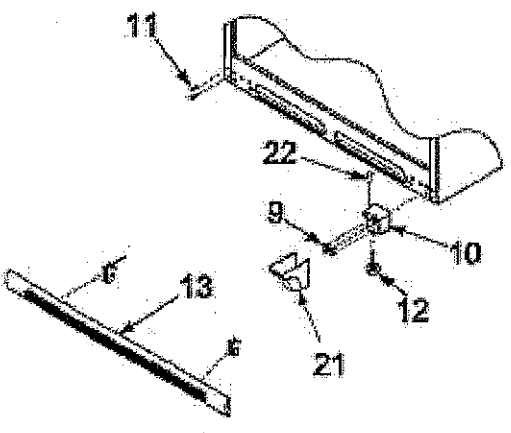


VUE B

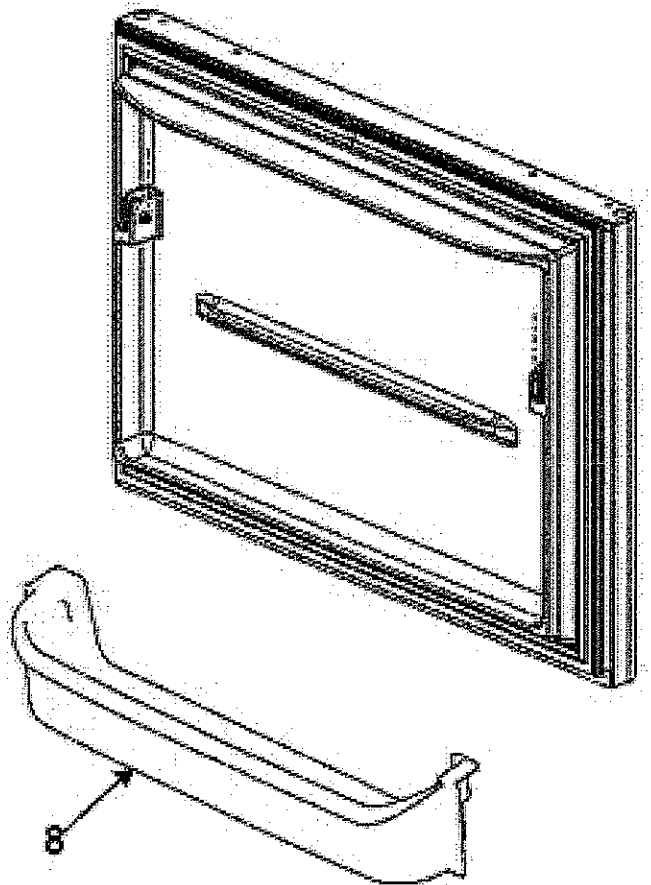
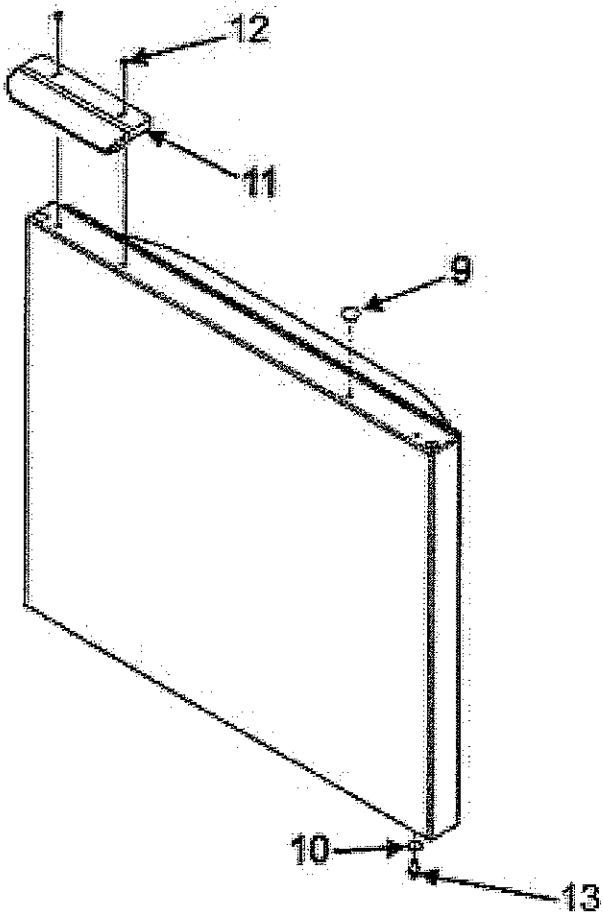
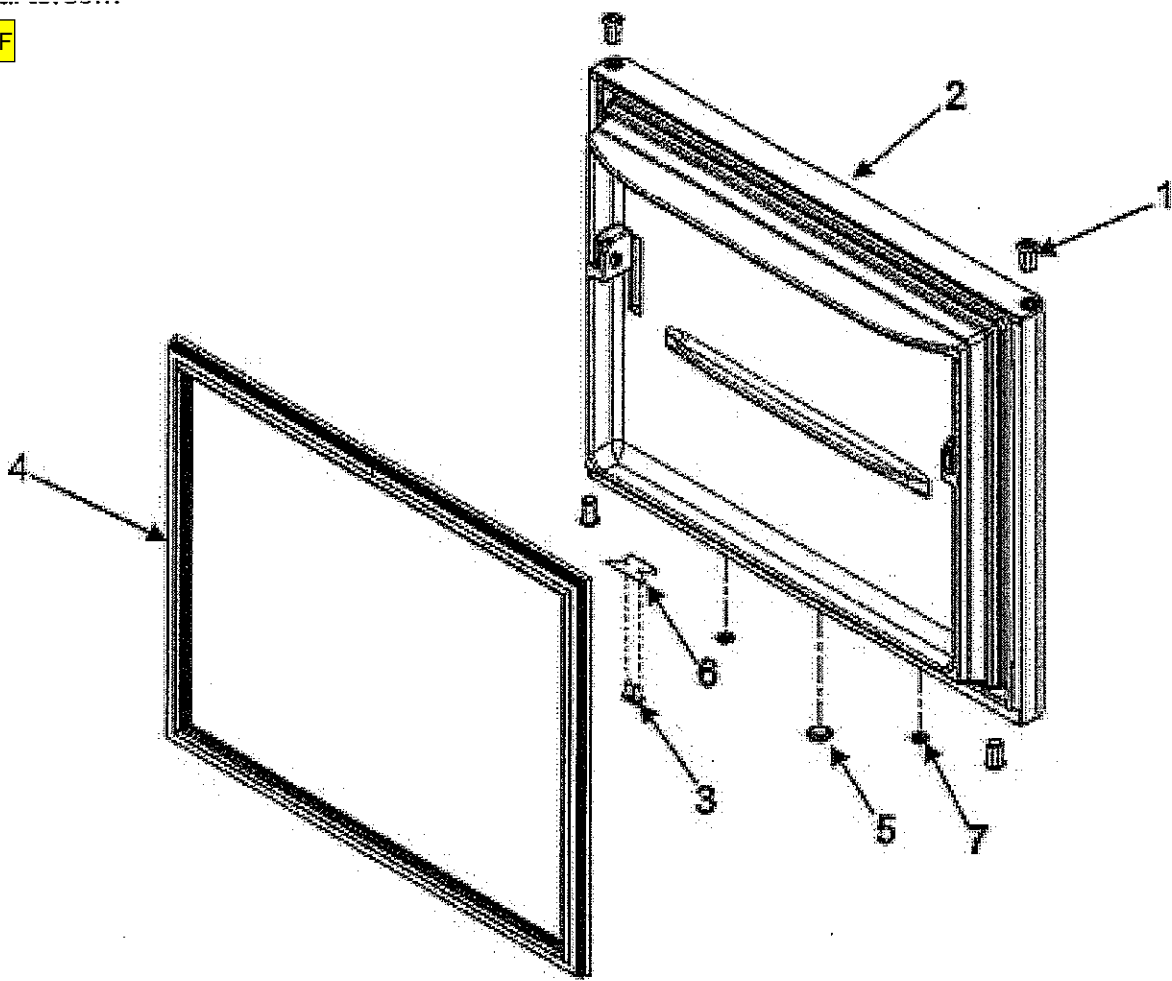


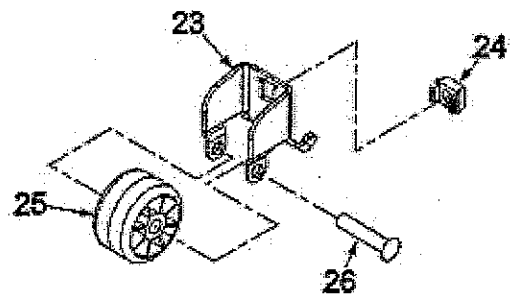
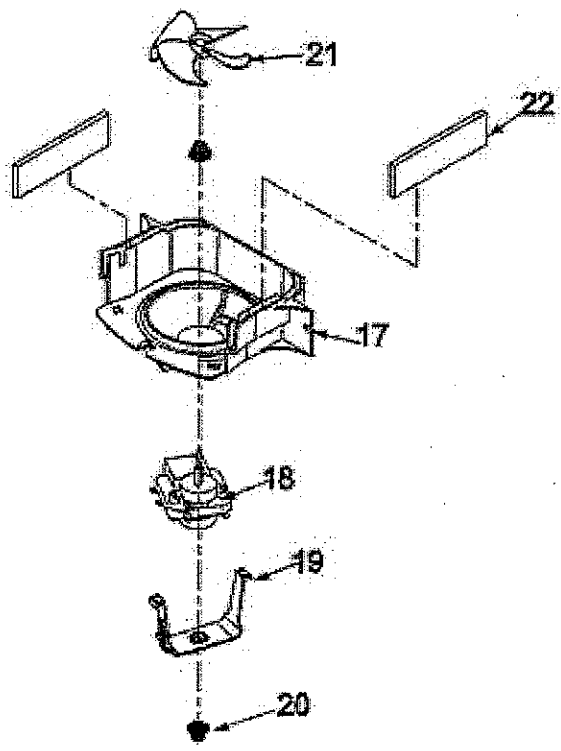
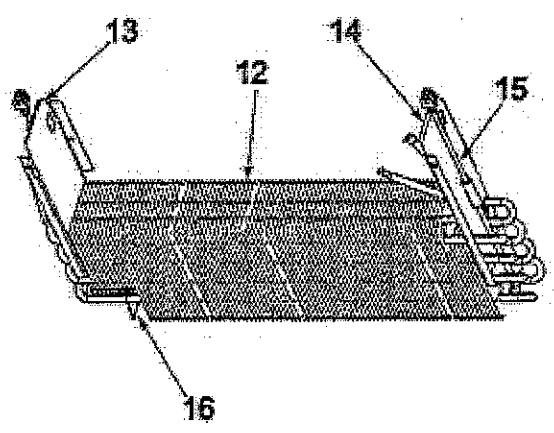
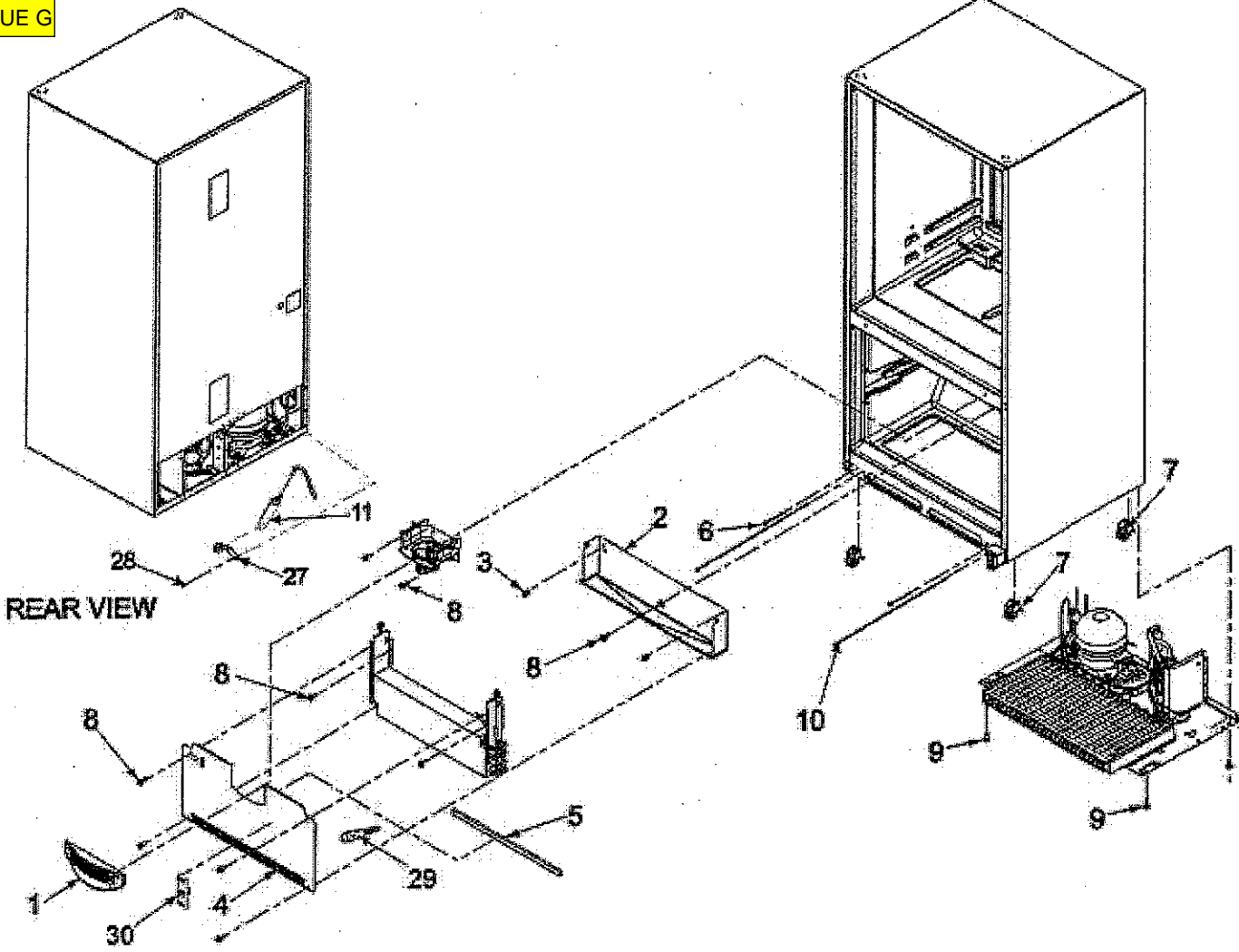




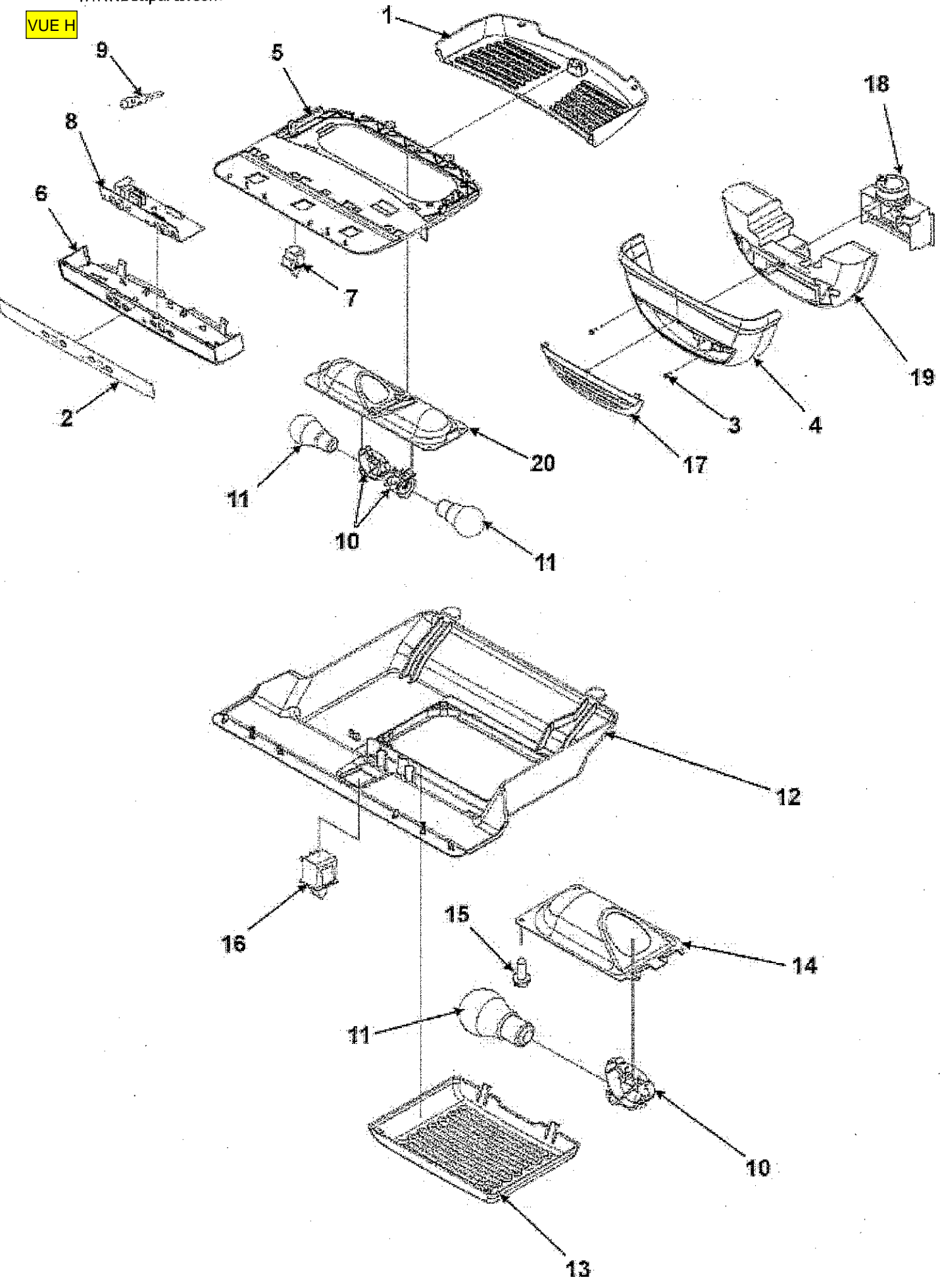


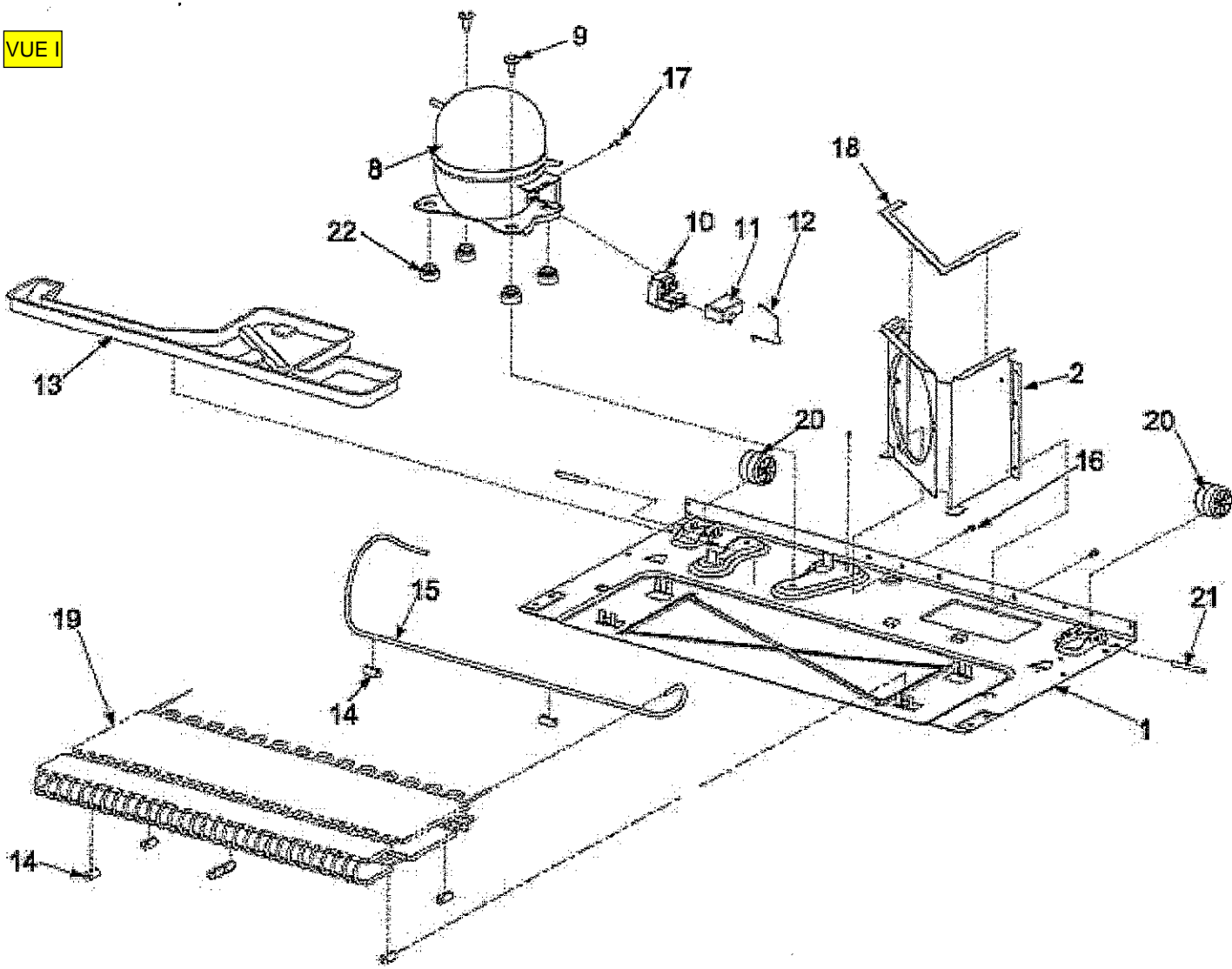
VUE F



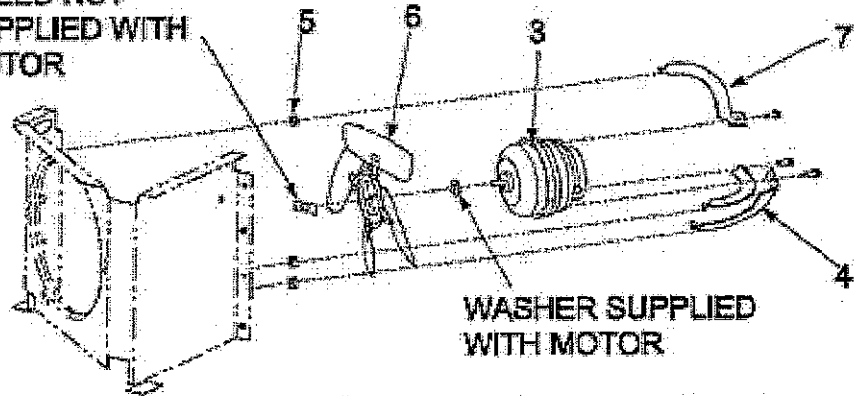


VUE H





SPEED NUT
SUPPLIED WITH
MOTOR



WASHER SUPPLIED
WITH MOTOR

SHADED POLE MOTOR MODELS