

Image 1

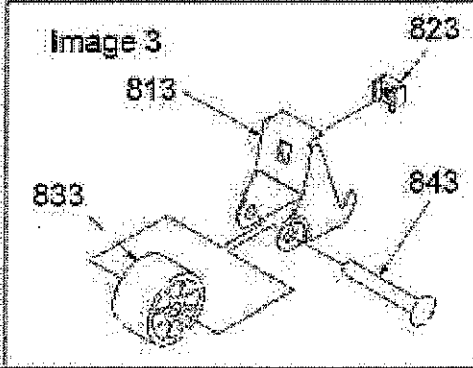
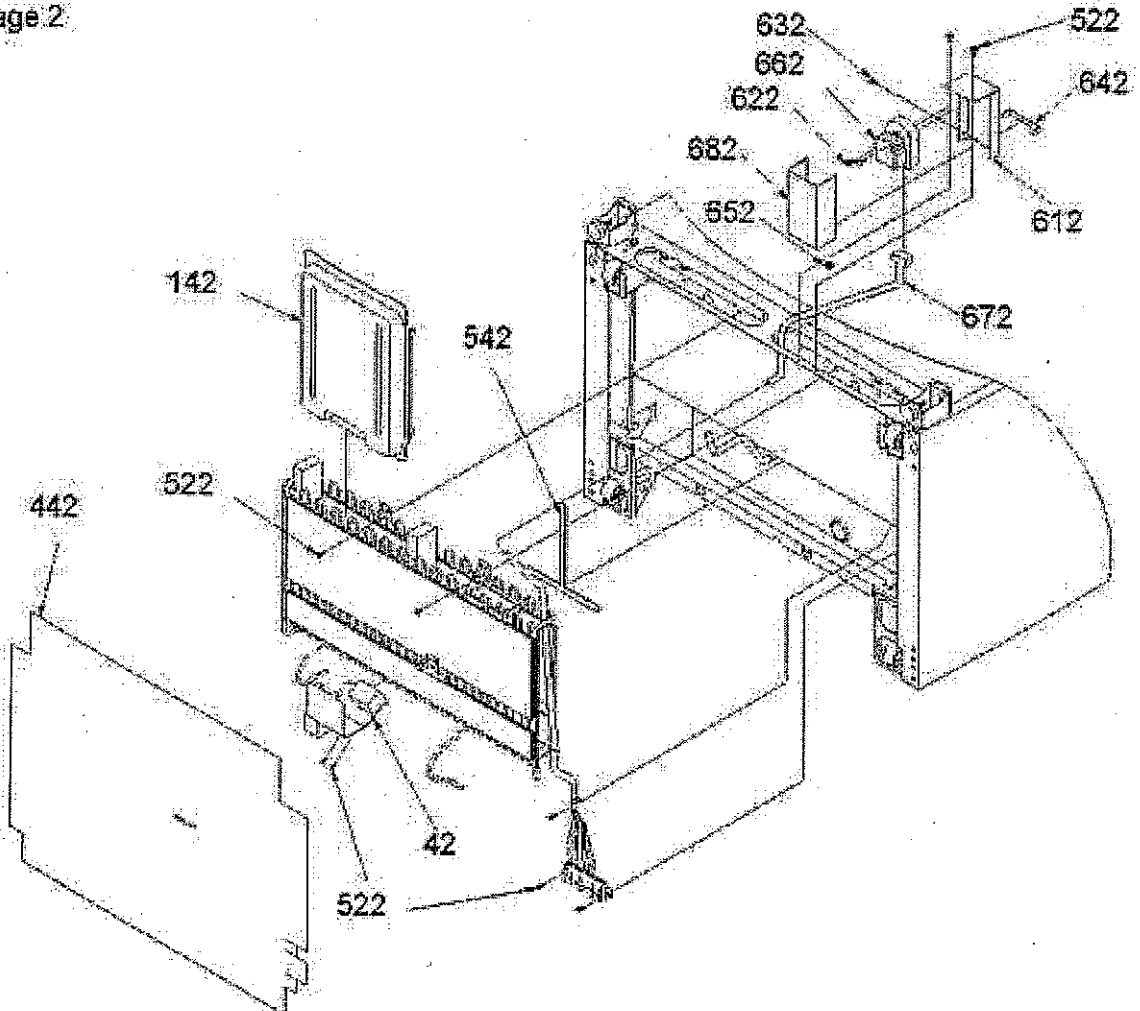


Image 2



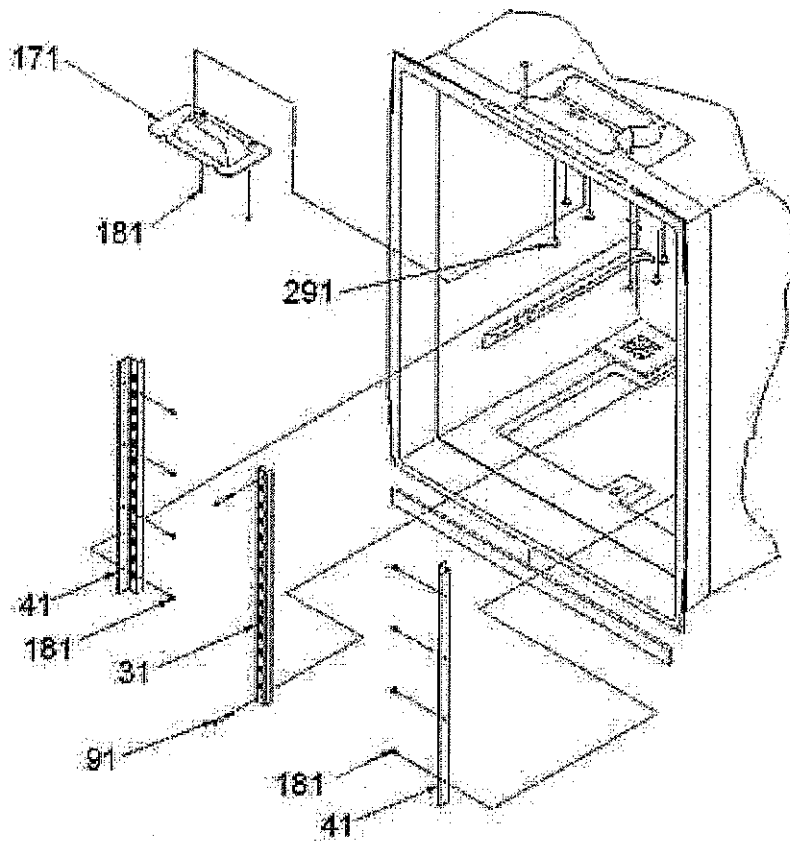
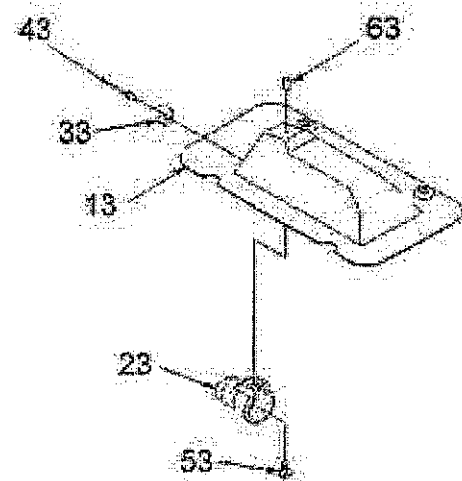
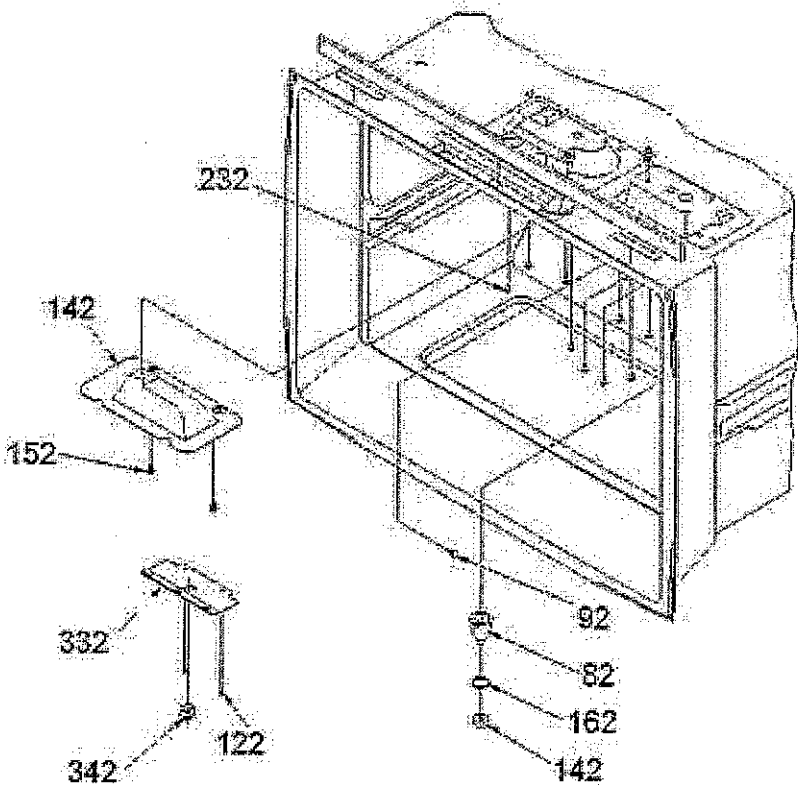


Image 1

Image 2

Image 3



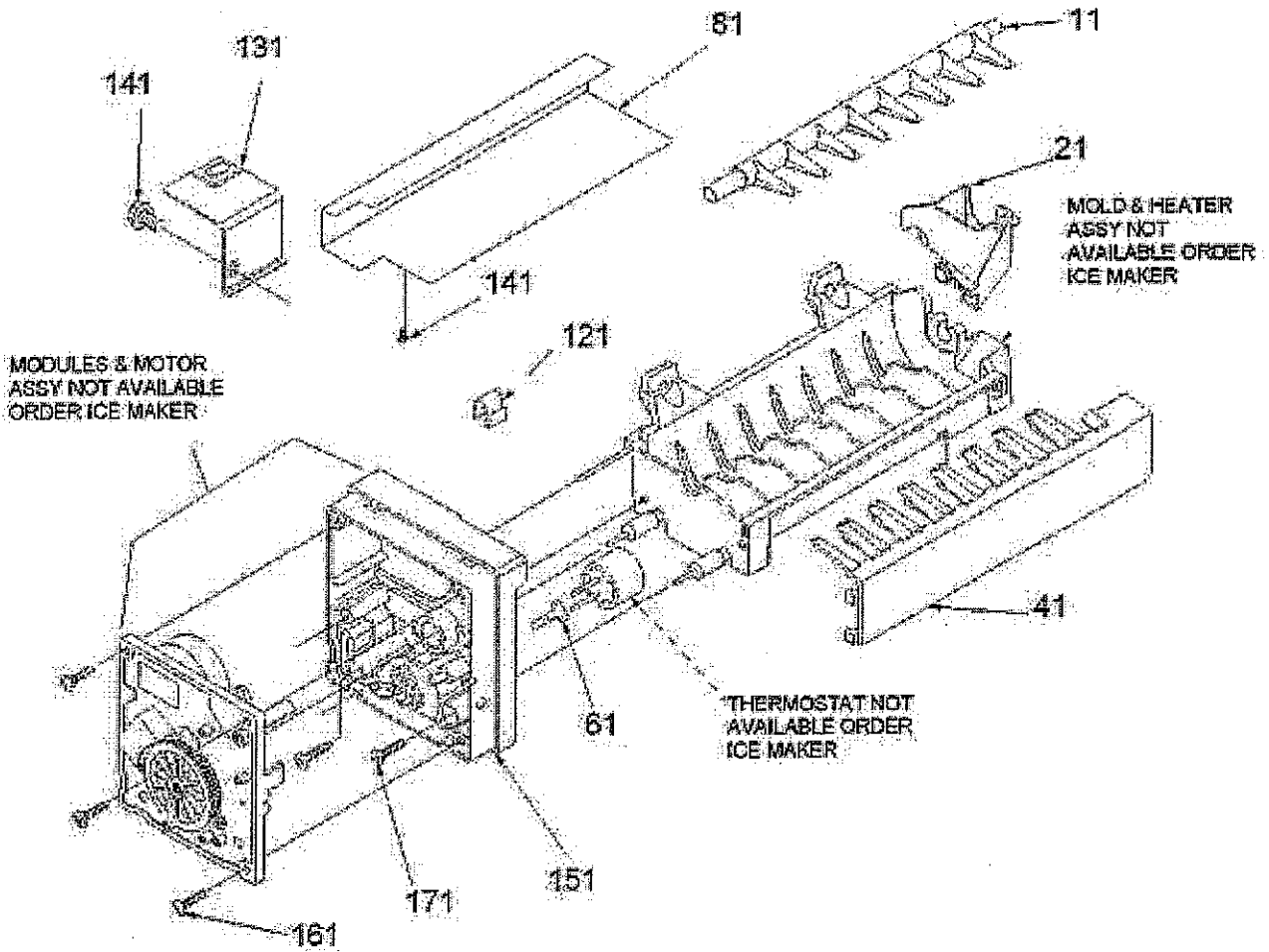
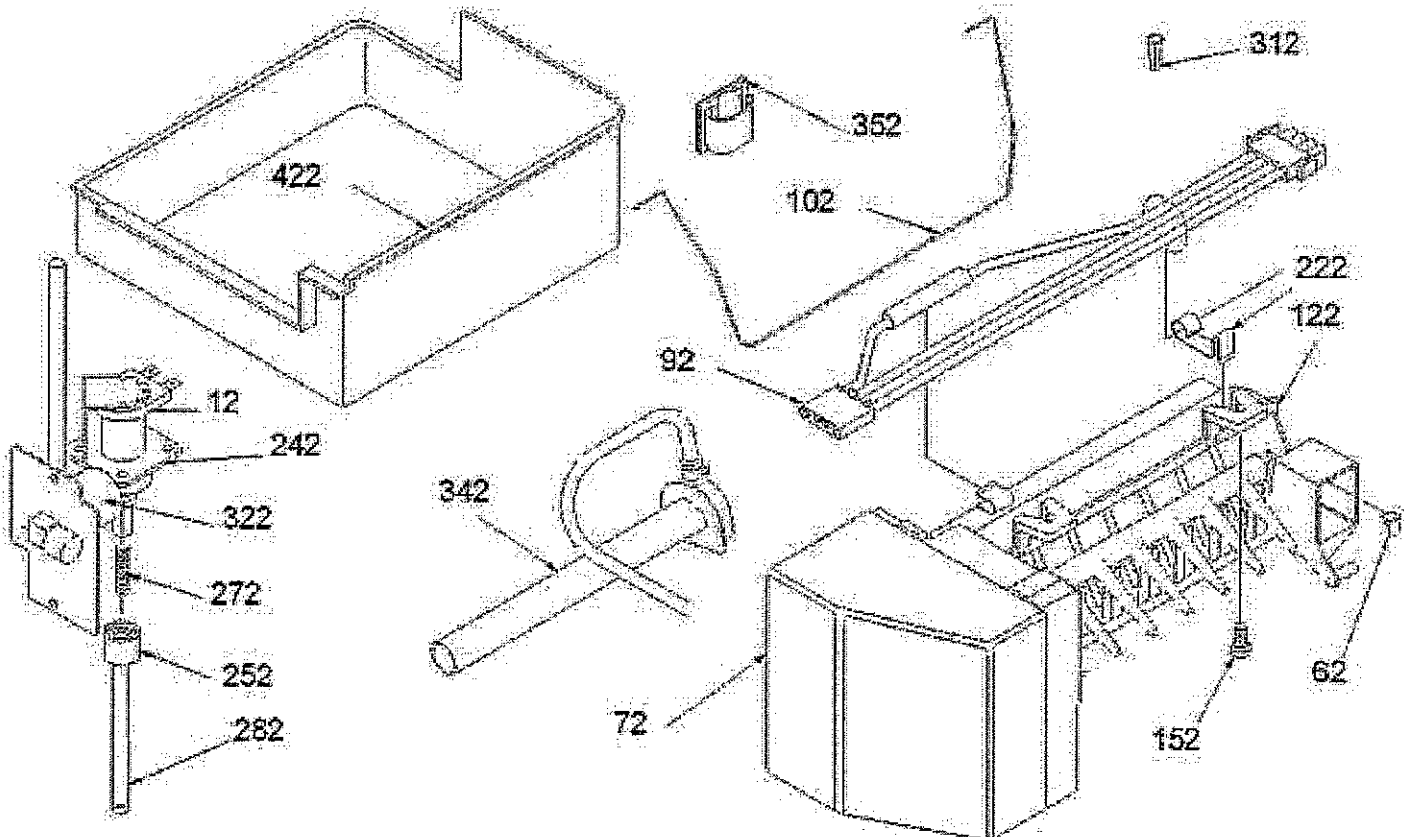


Image 1

Image 2



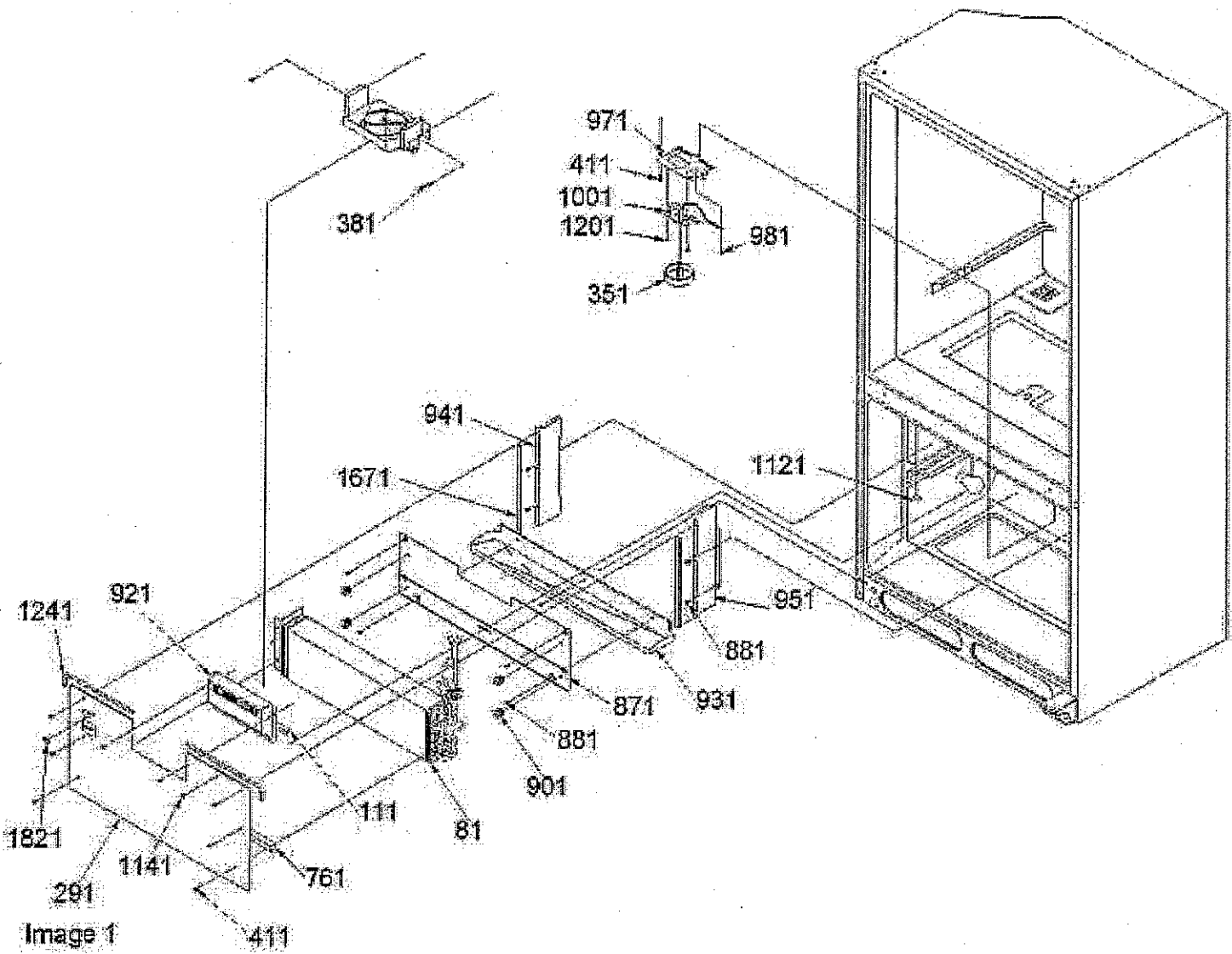


Image 2

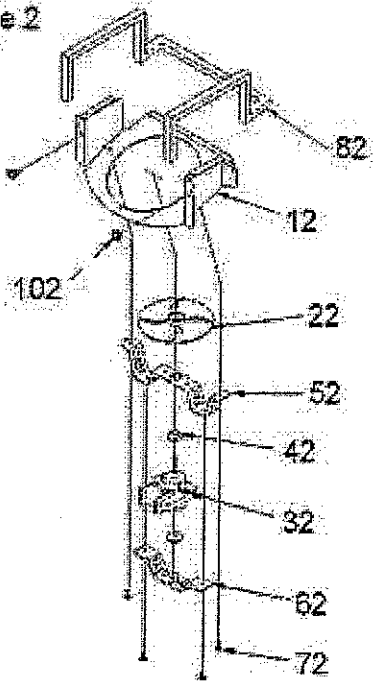
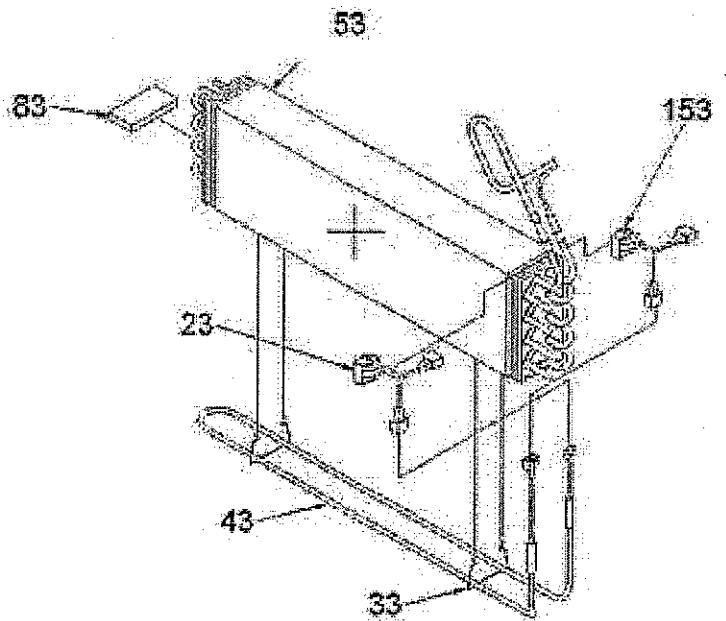


Image 3



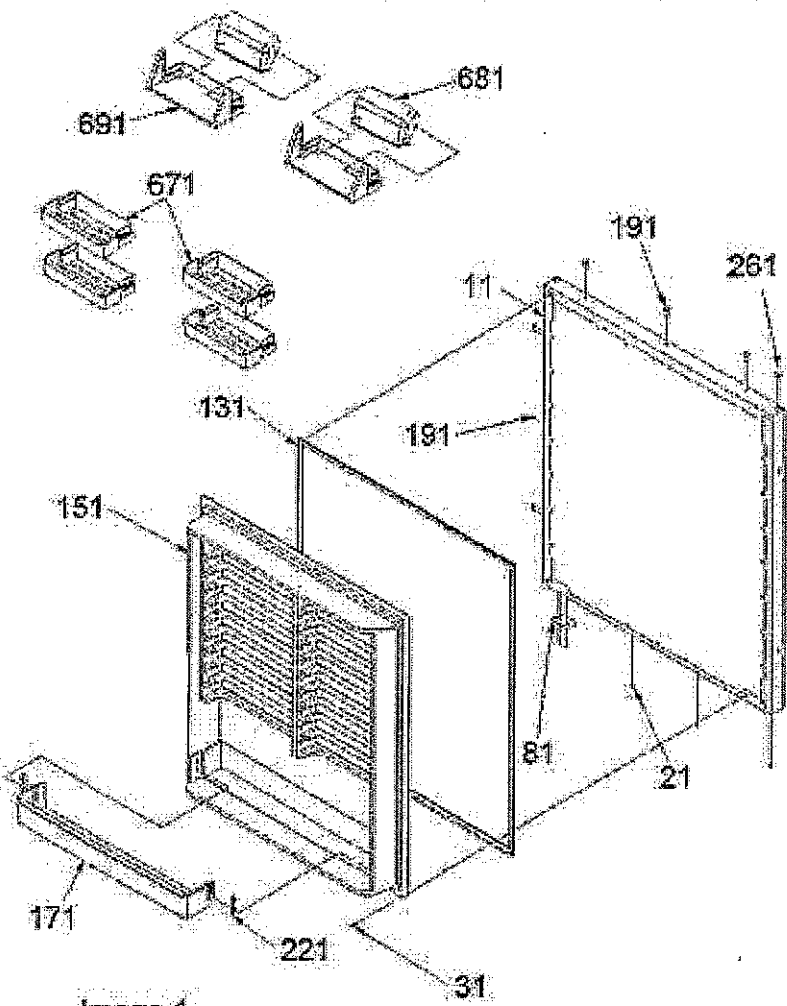


Image 1

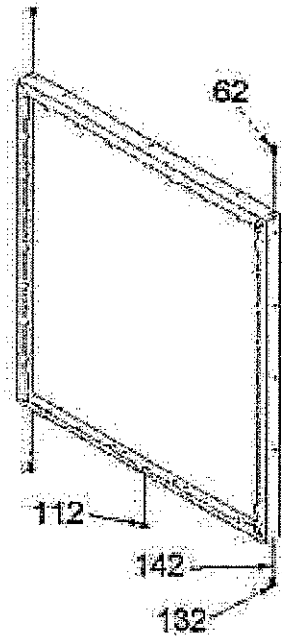


Image 2

Image 3

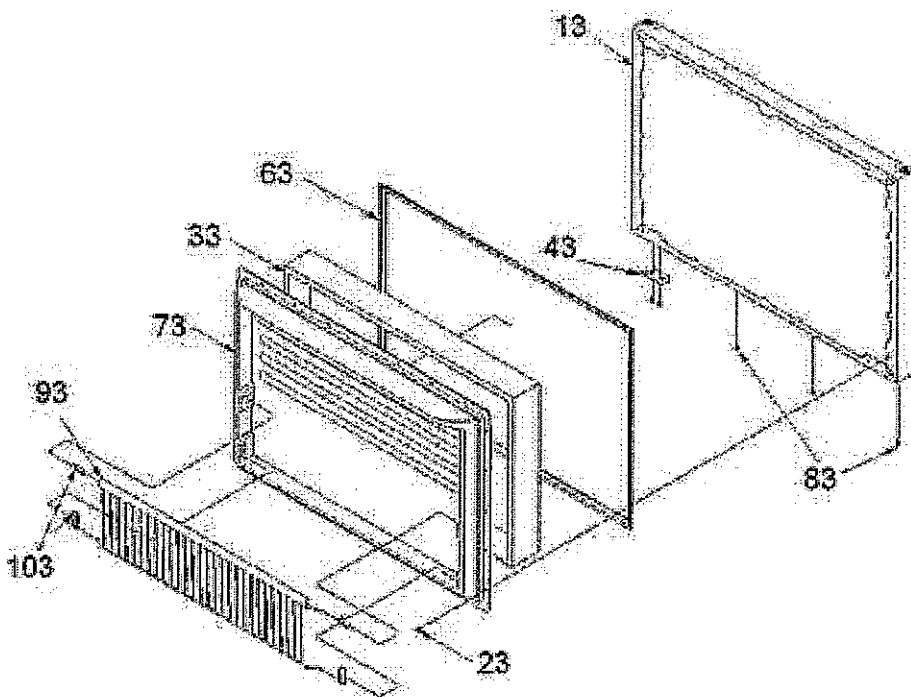
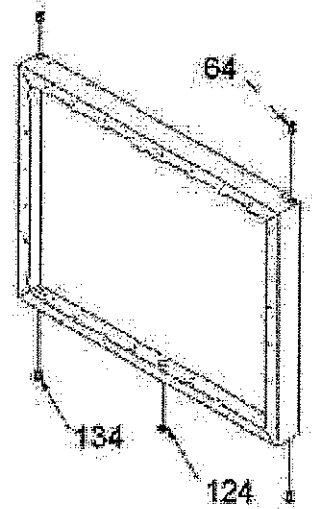


Image 4



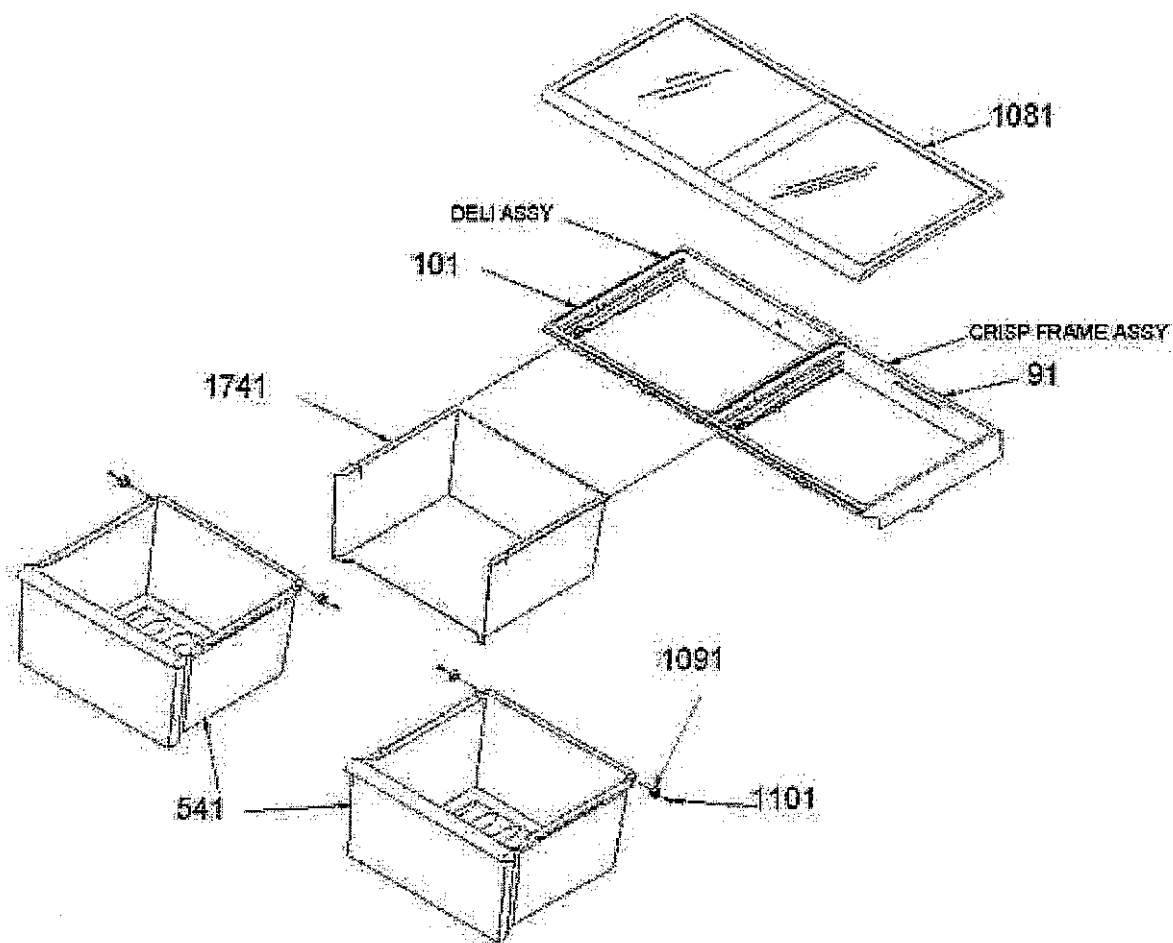
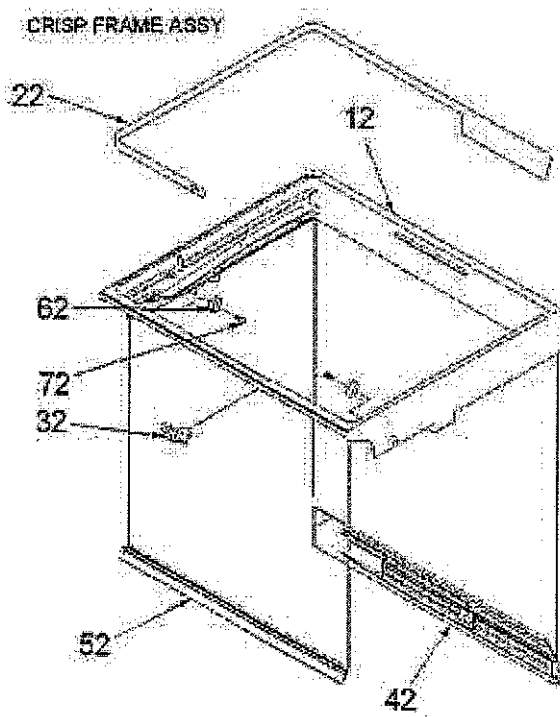
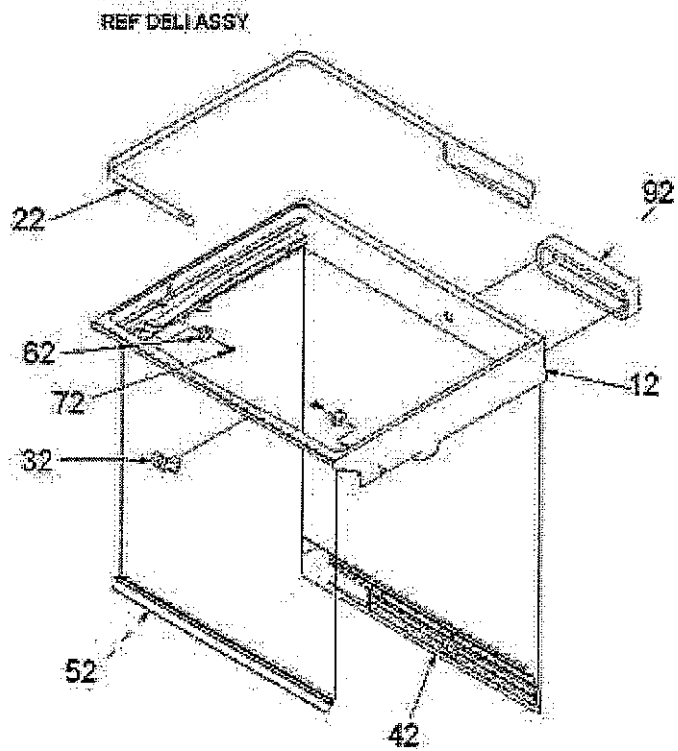


Image 1

Image 2



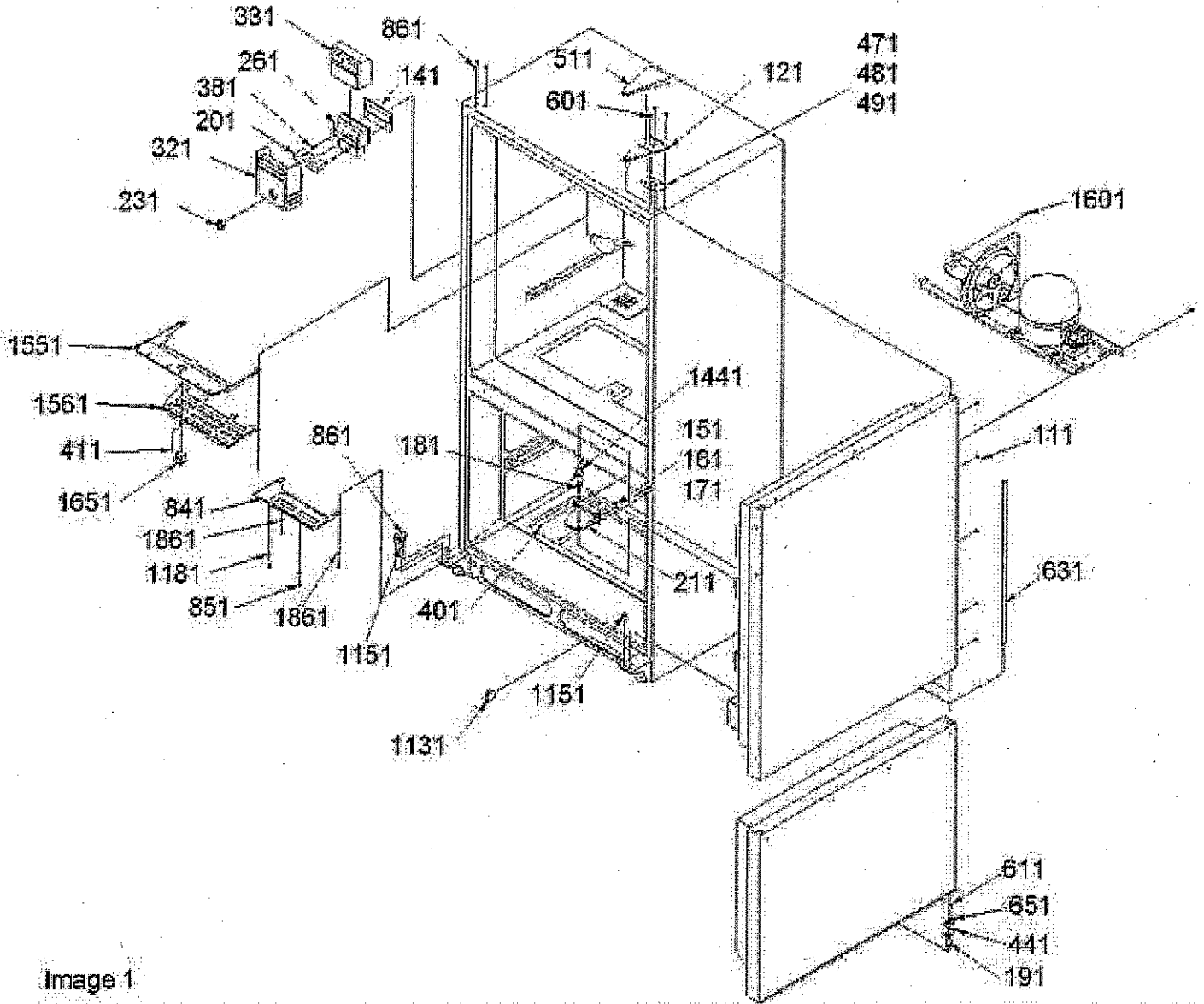


Image 1

Image 2

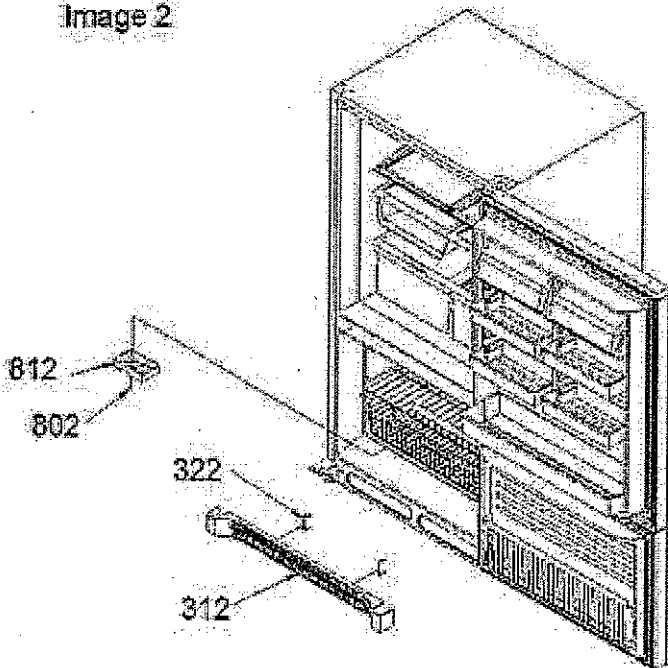
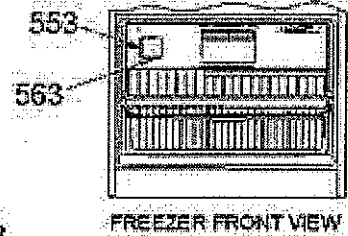
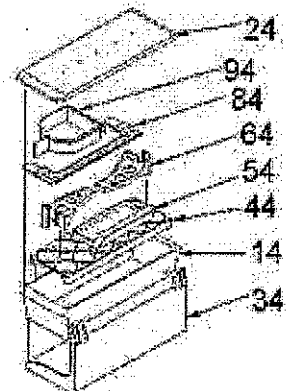


Image 3



FREEZER FRONT VIEW

Image 4



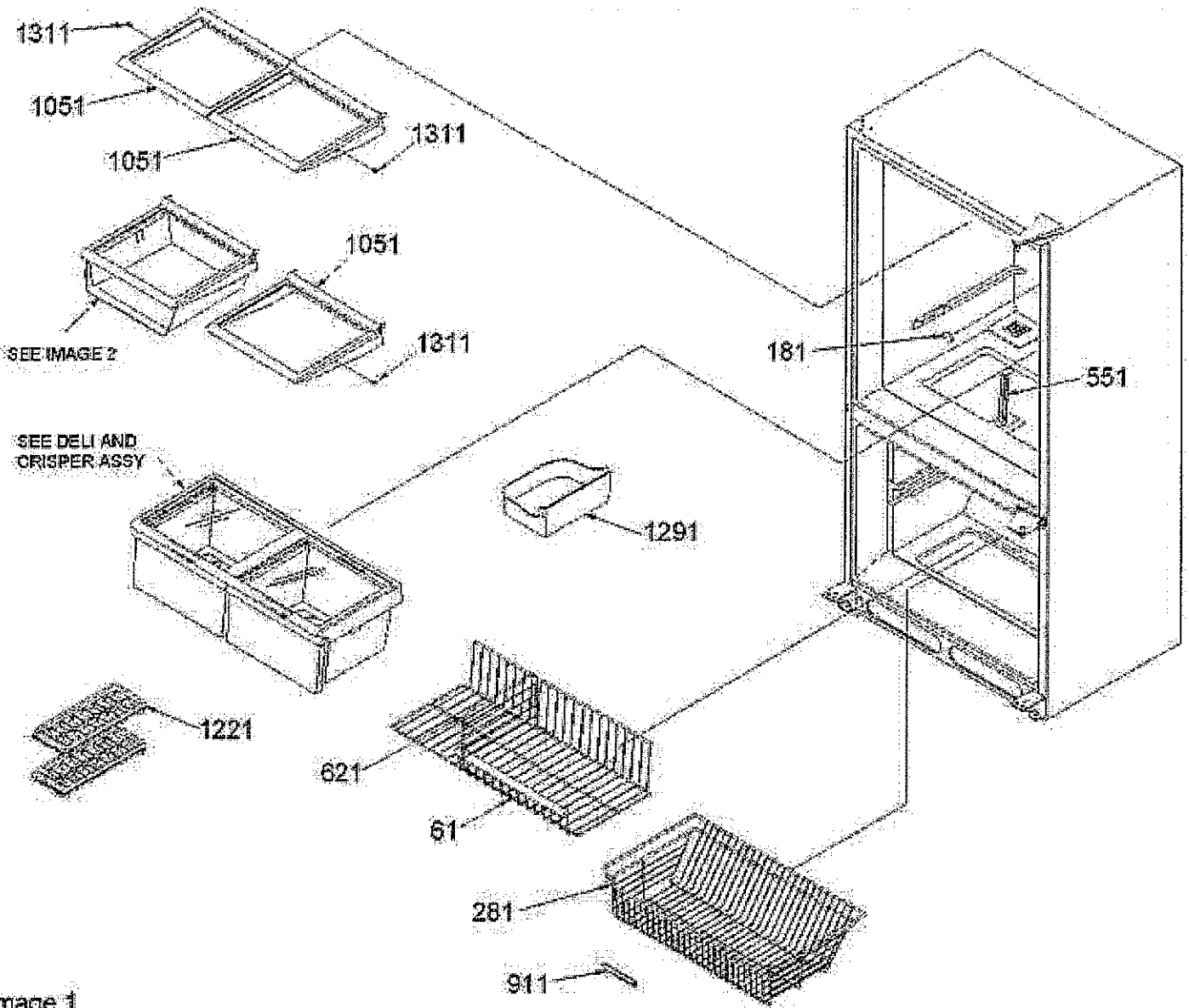
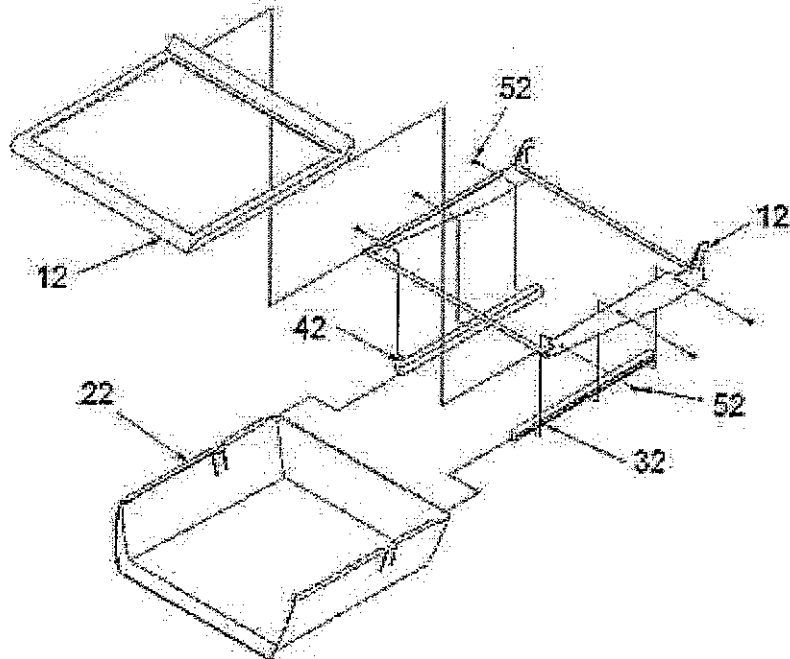


Image 1

Image 2



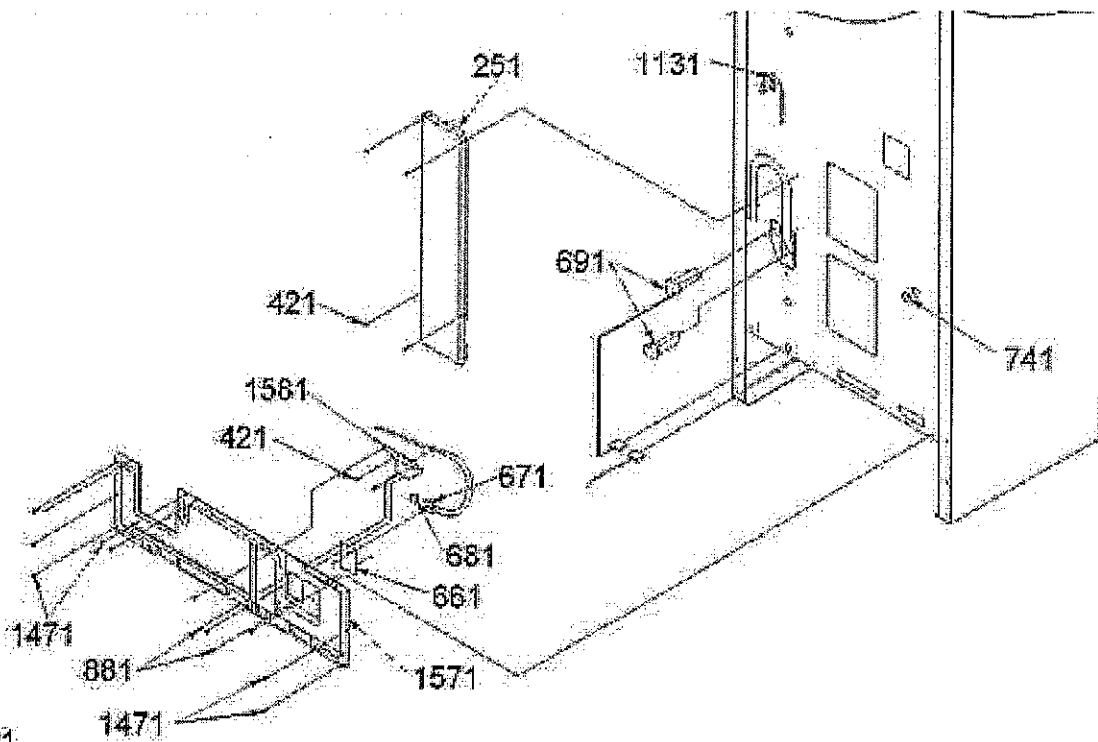
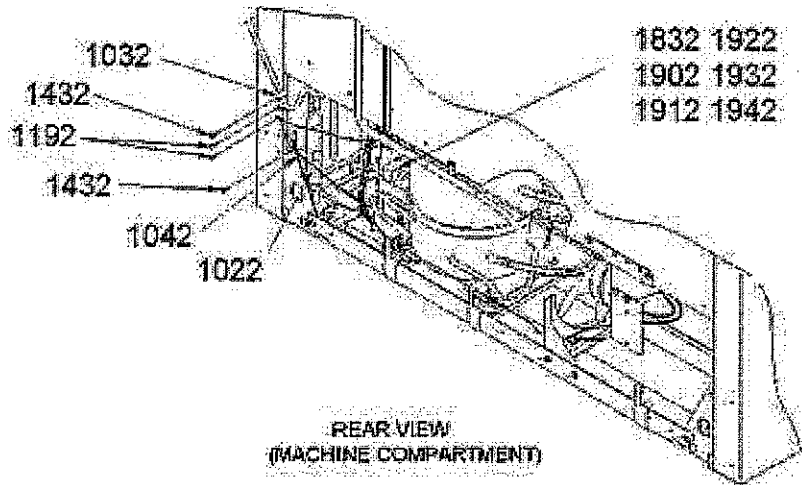


Image 1

Image 2



REAR VIEW
(MACHINE COMPARTMENT)

Image 3

