

VUE A

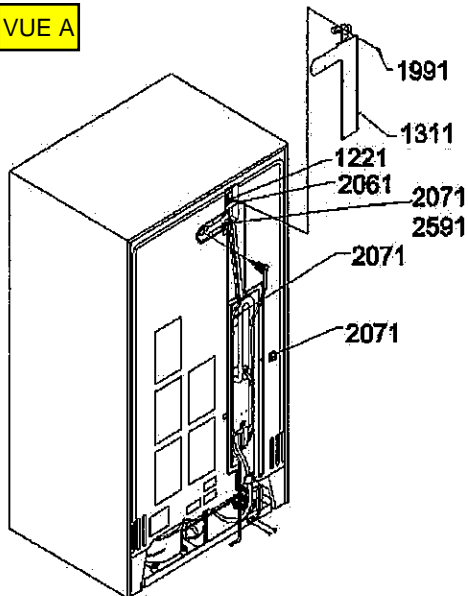


Image 1

Image 3

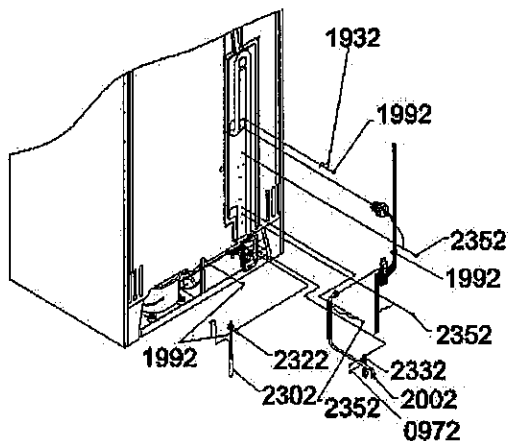
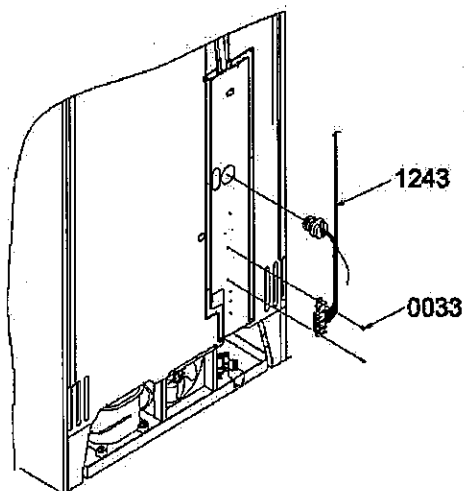


Image 2

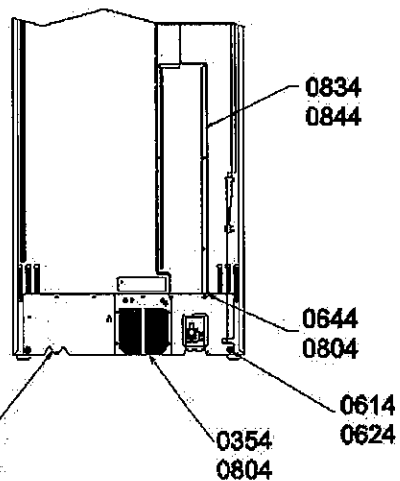
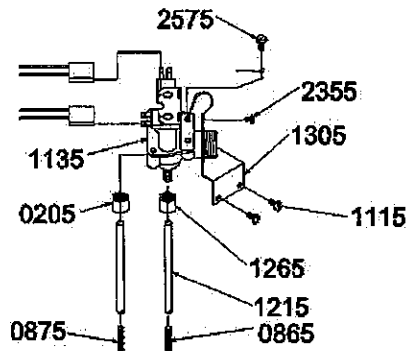


Image 4

Image 5



VUE B

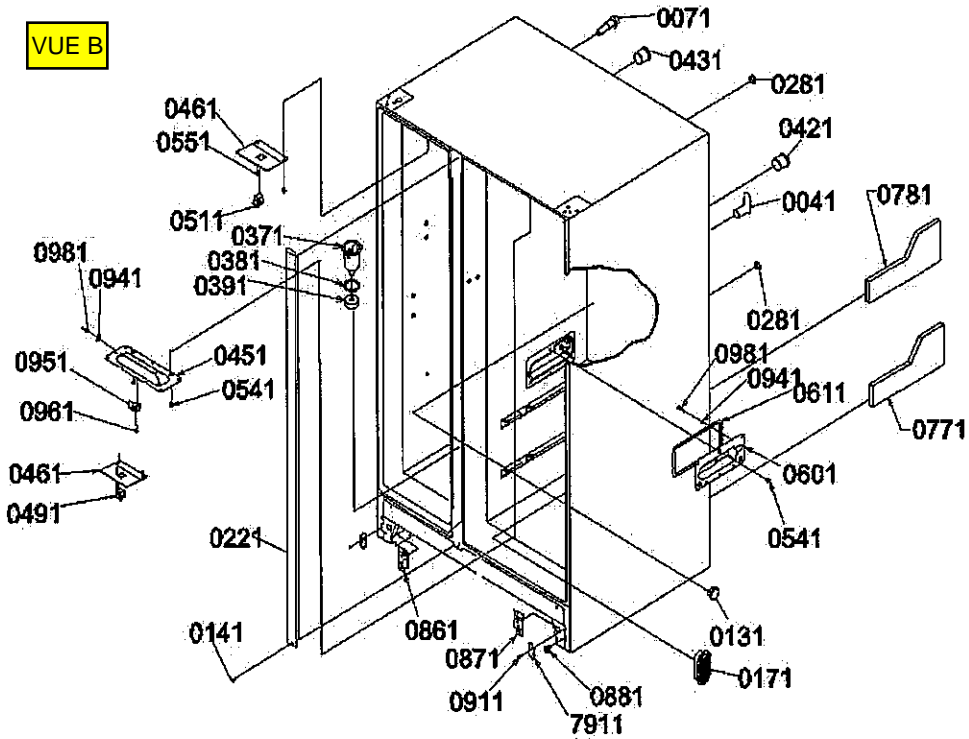
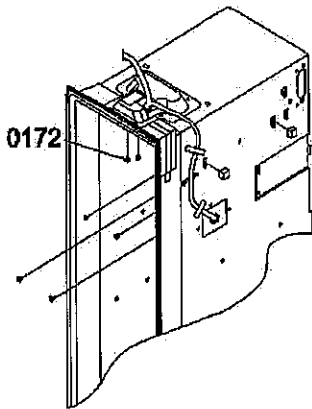


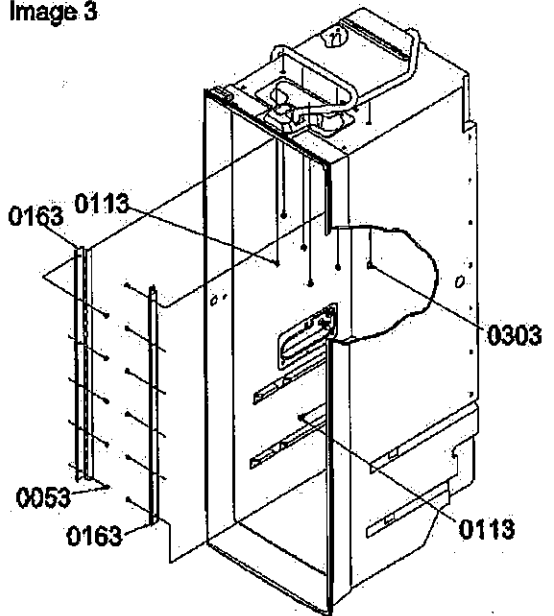
Image 1

Image 2



FREEZER

Image 3



REFRIGERATOR

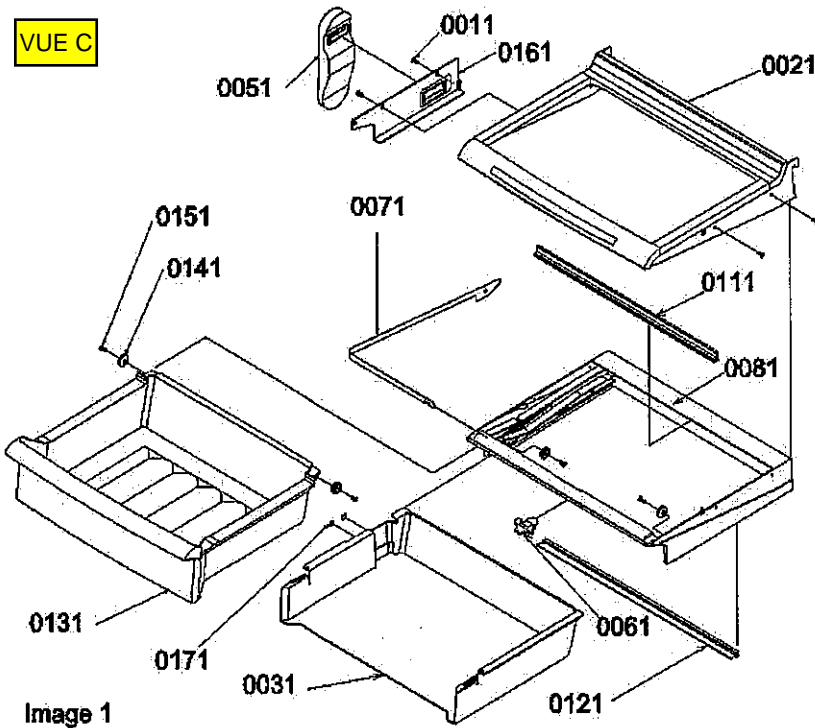


Image 1

Image 3

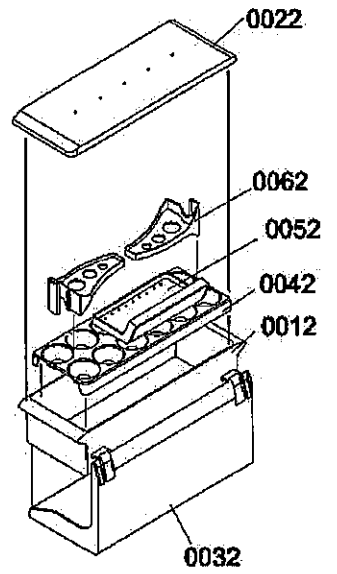


Image 2

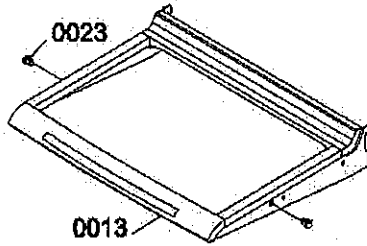


Image 4

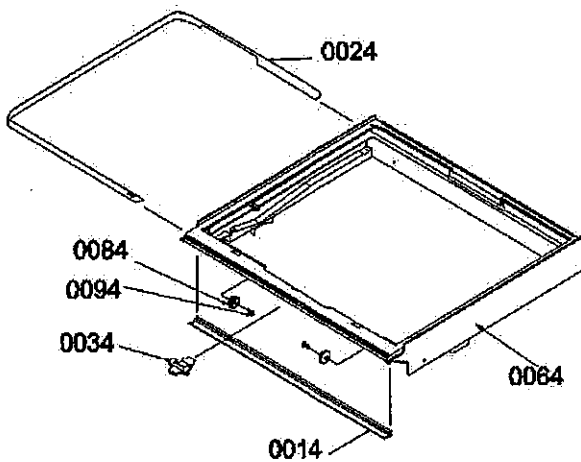
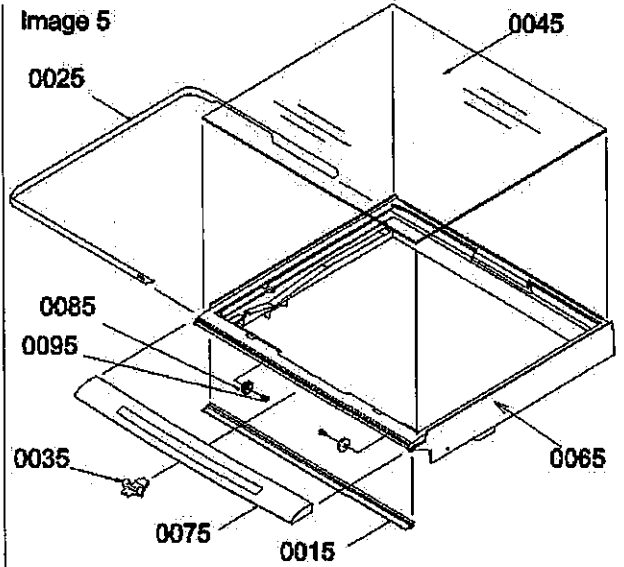


Image 5



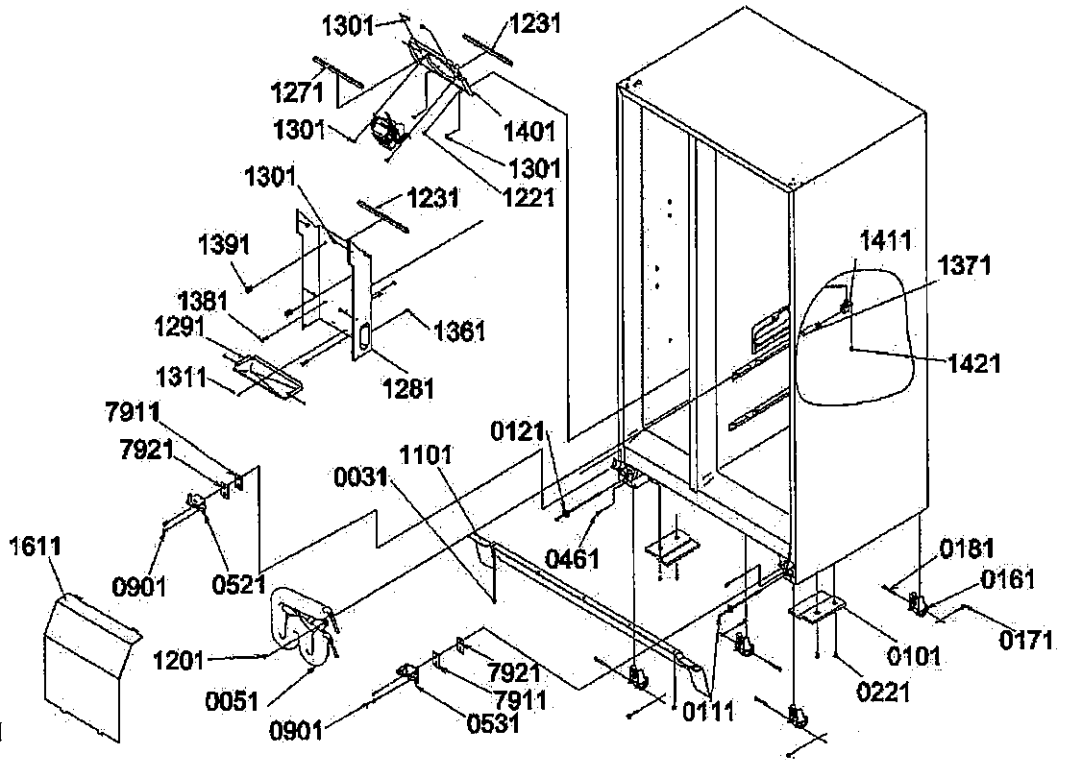


Image 1

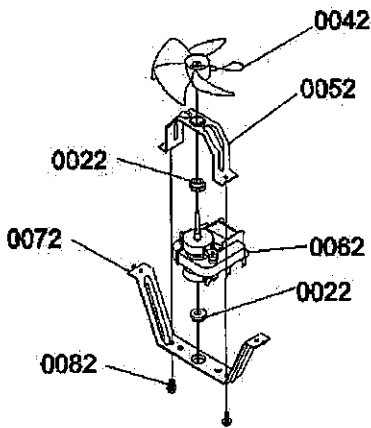


Image 2

Image 3

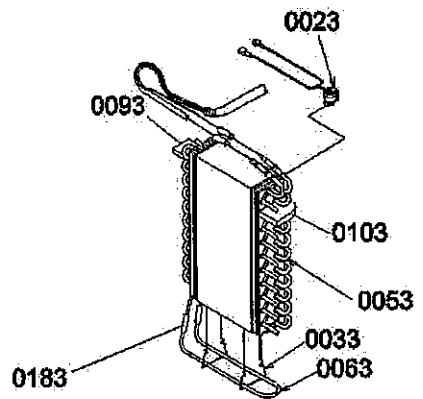


Image 4

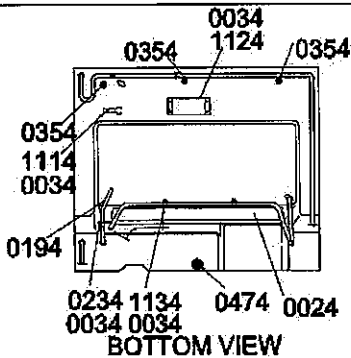


Image 5

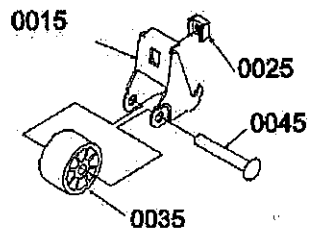


Image 4

Image 5

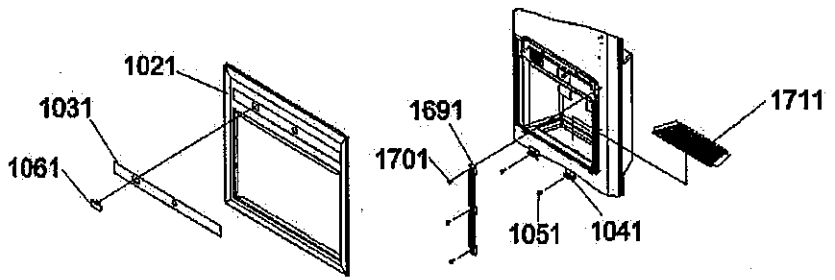


Image 1

Image 2

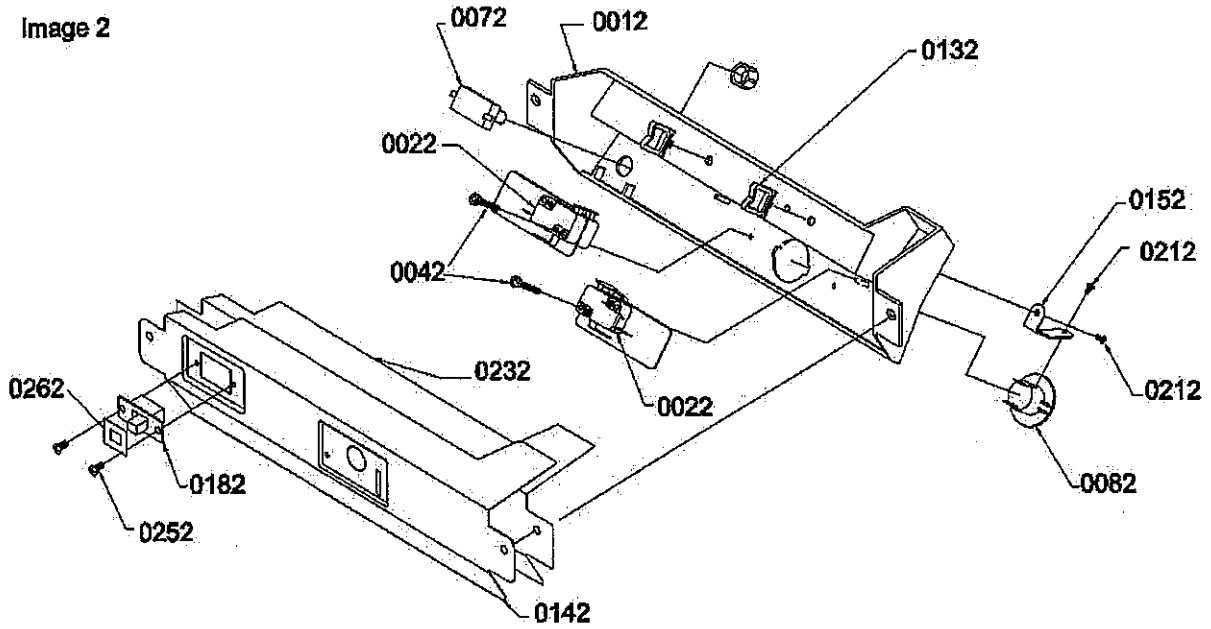
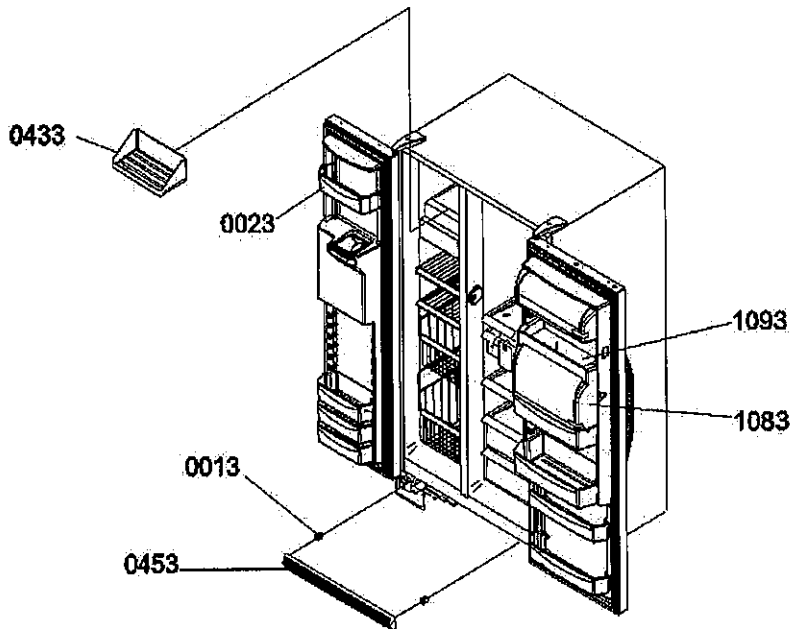


Image 3



VUE F

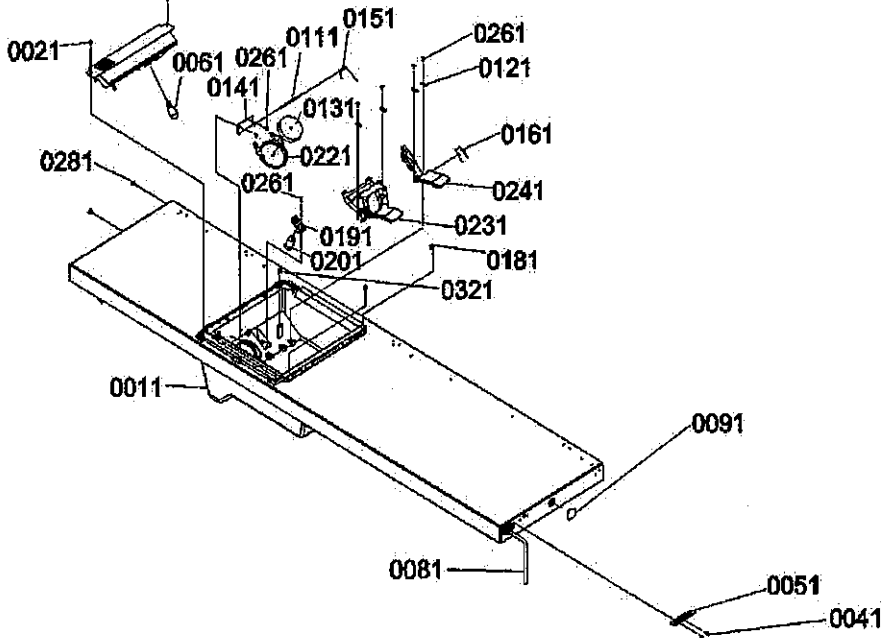


Image 1

Image 2

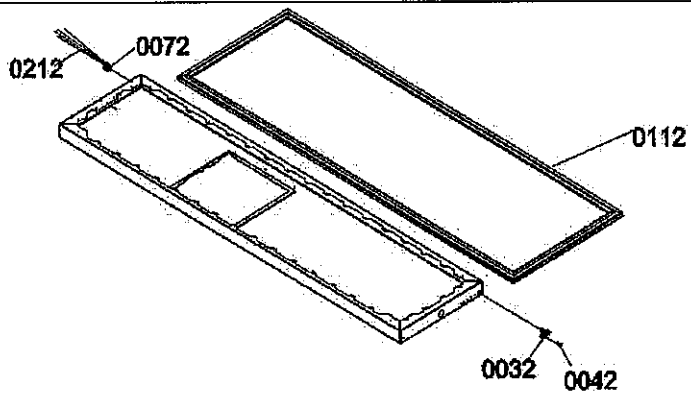
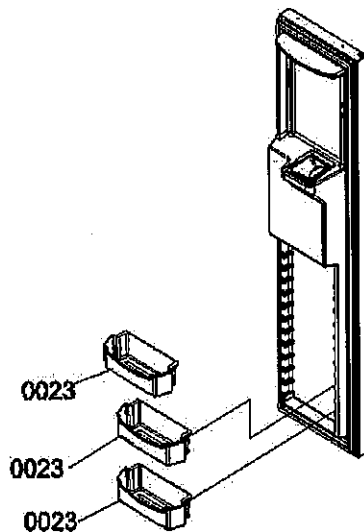


Image 3



VUE G

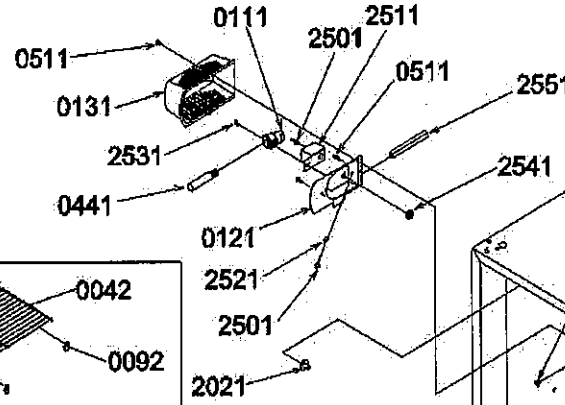


Image 2

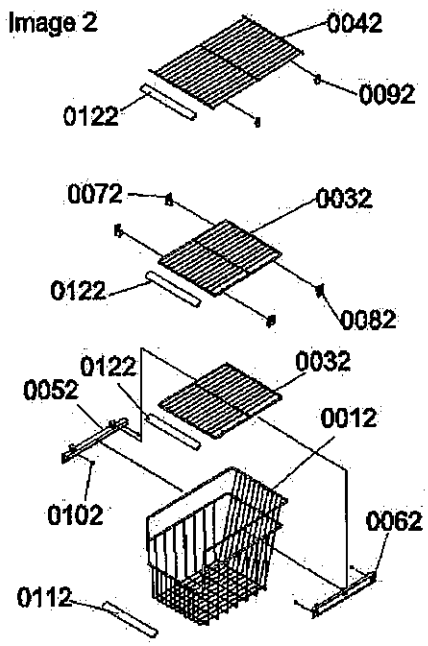
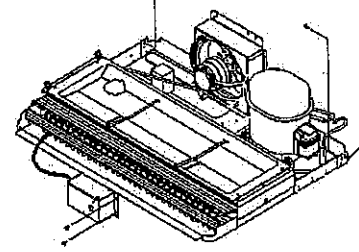
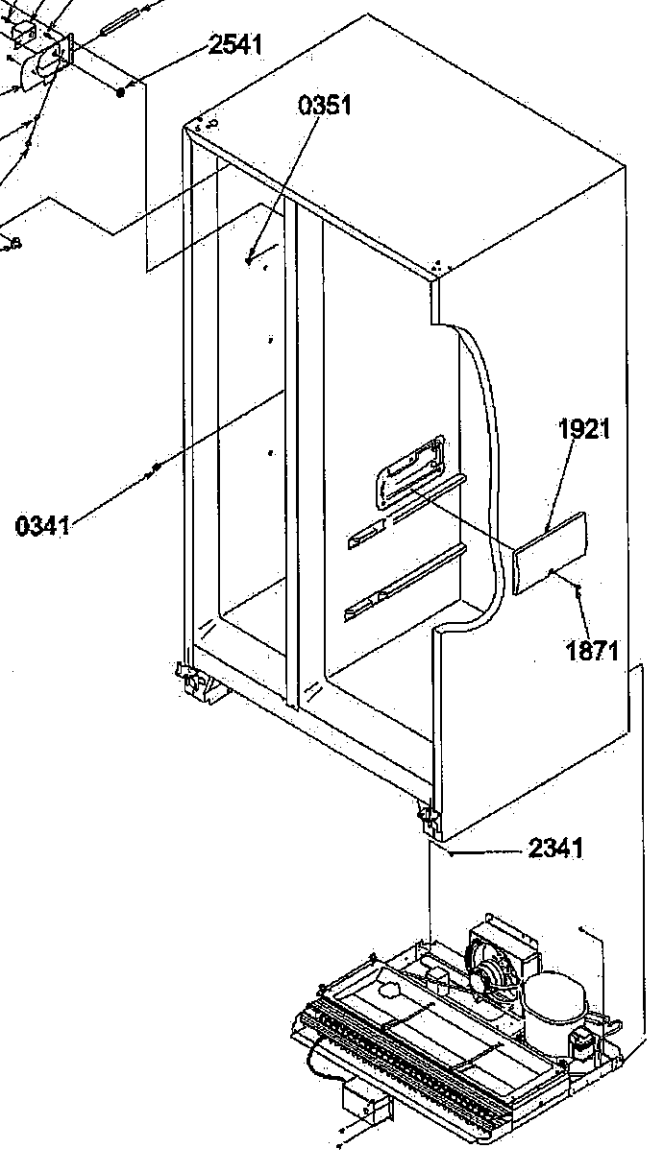
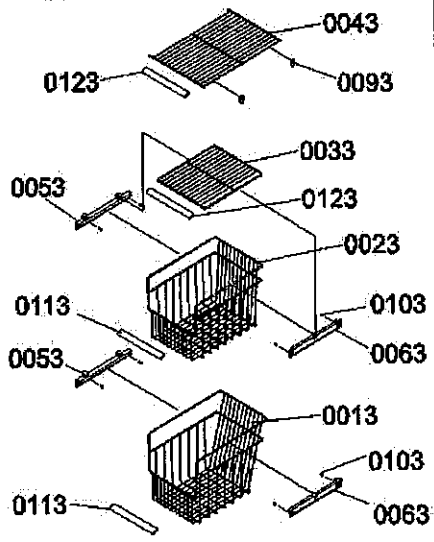


Image 3



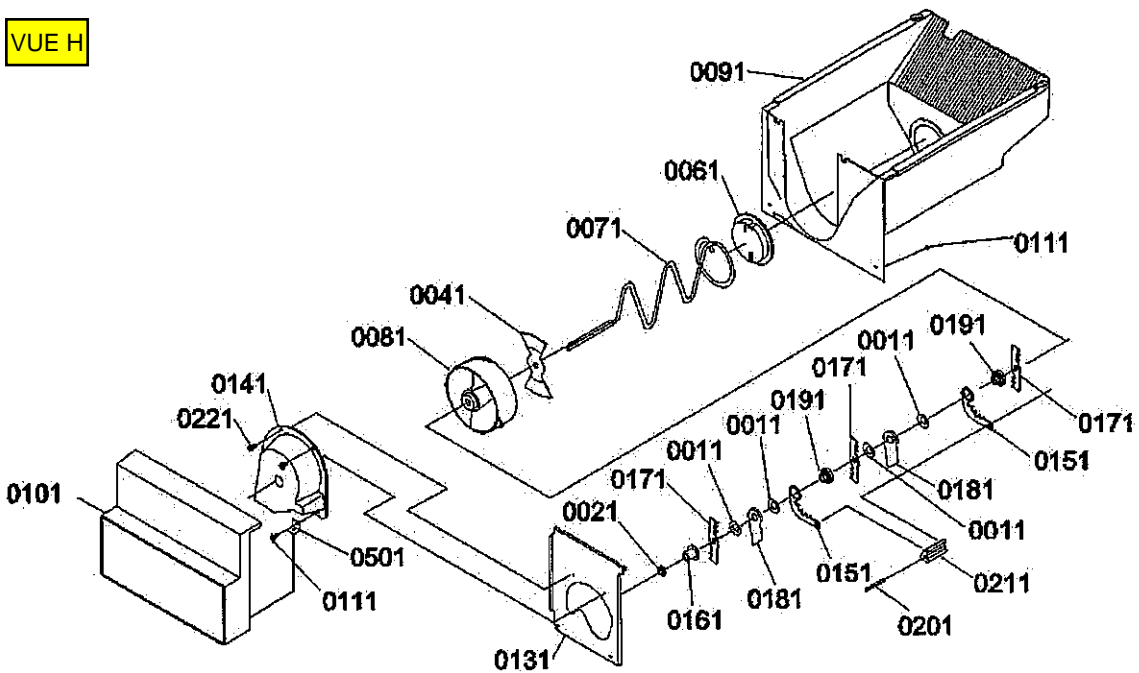


Image 1

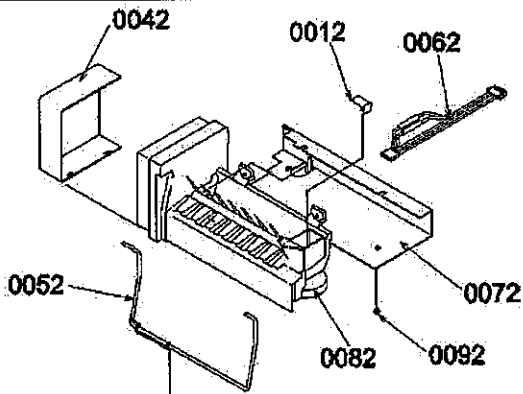


Image 2

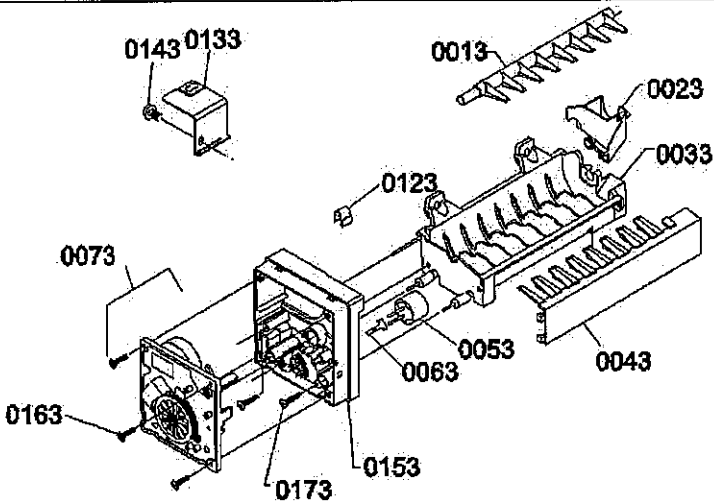


Image 3



VUE I

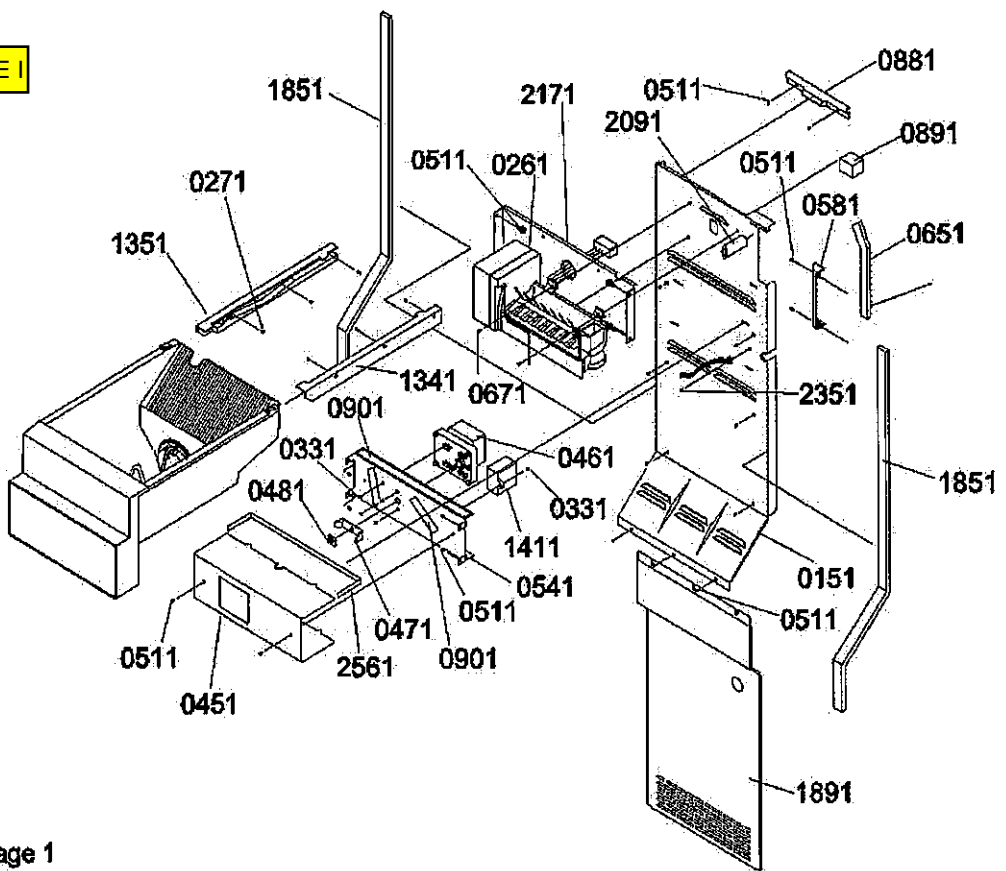
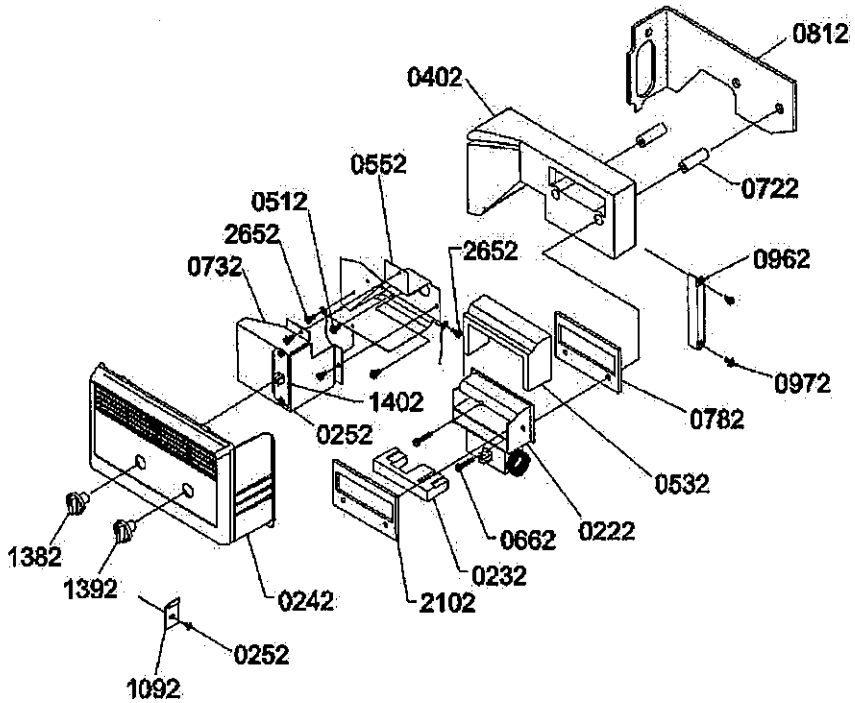


Image 1

Image 2



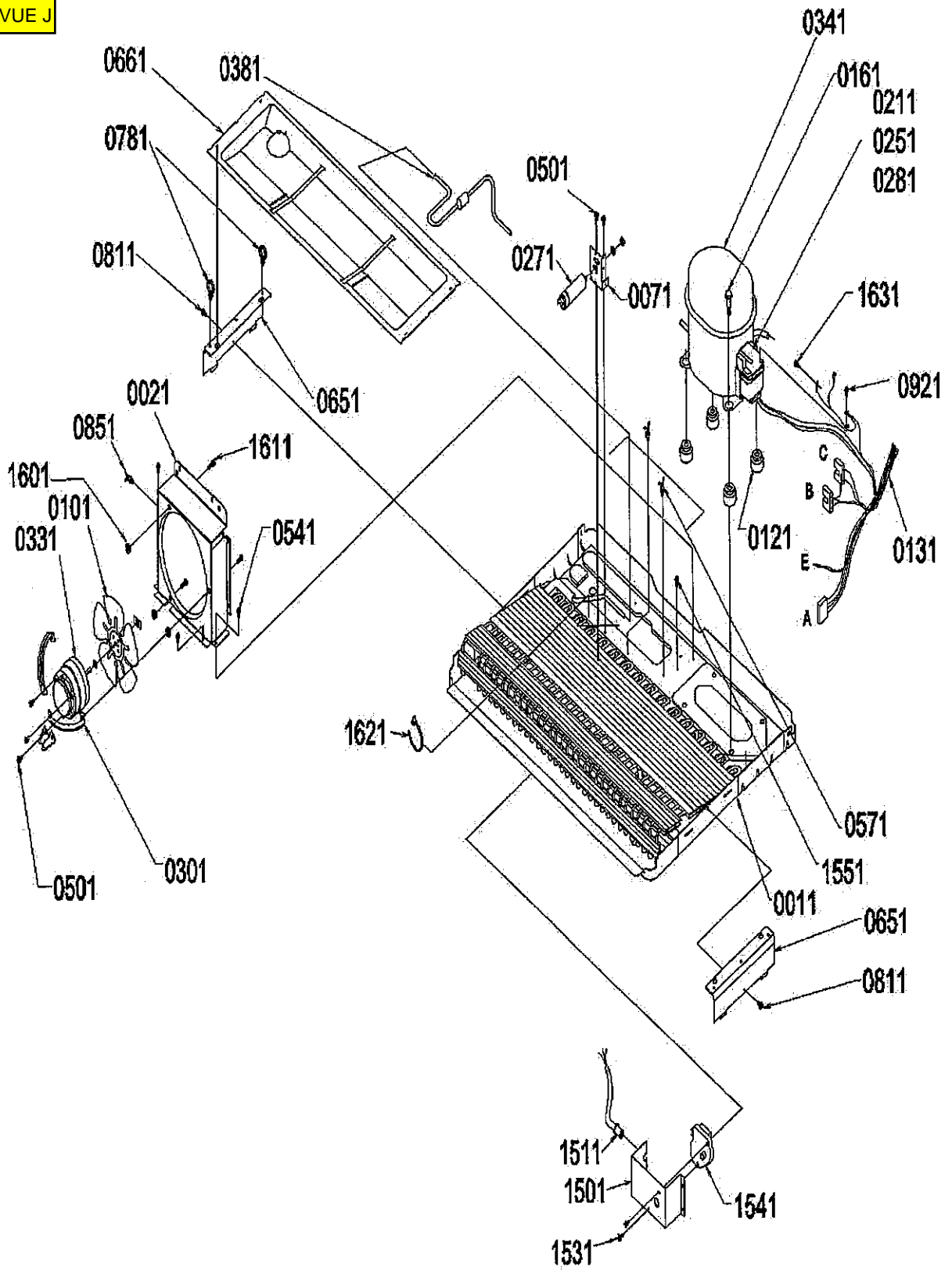


Image 1

VUE K

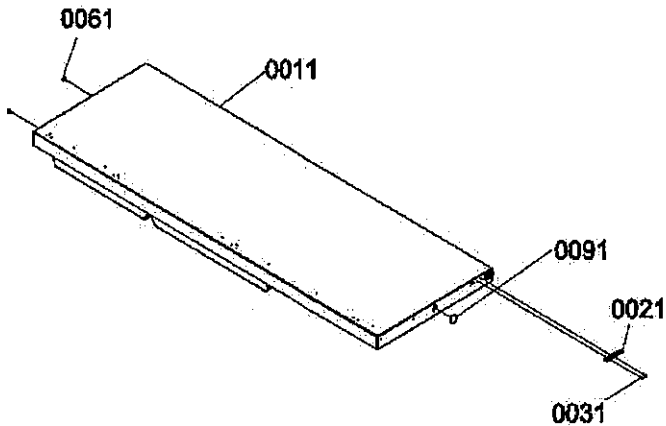


Image 2

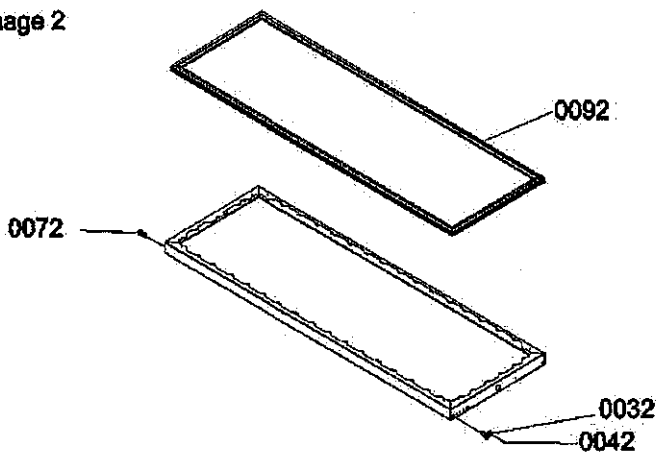


Image 5

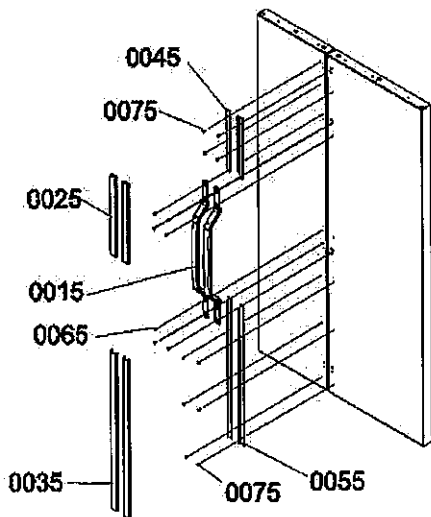


Image 3

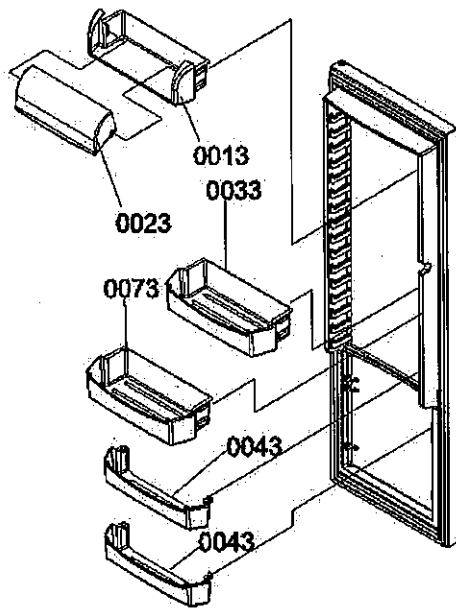
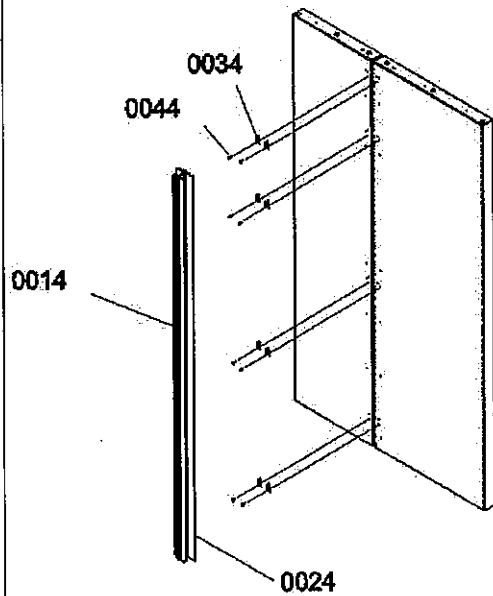


Image 4



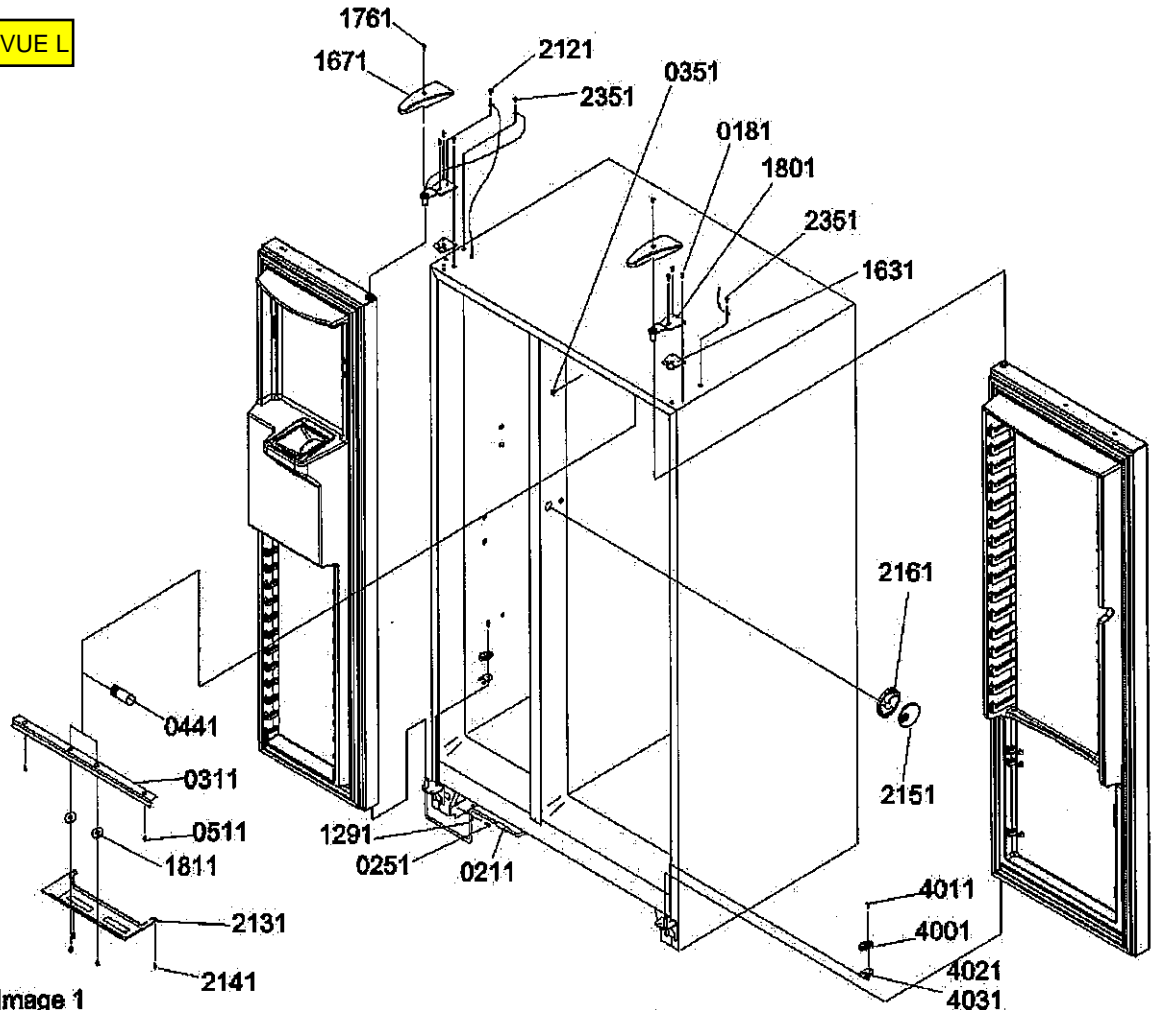


Image 1

Image 2

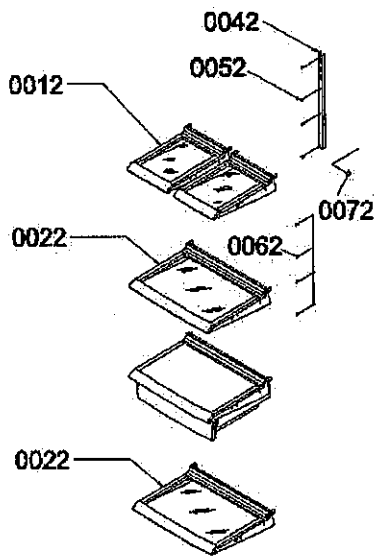


Image 3

