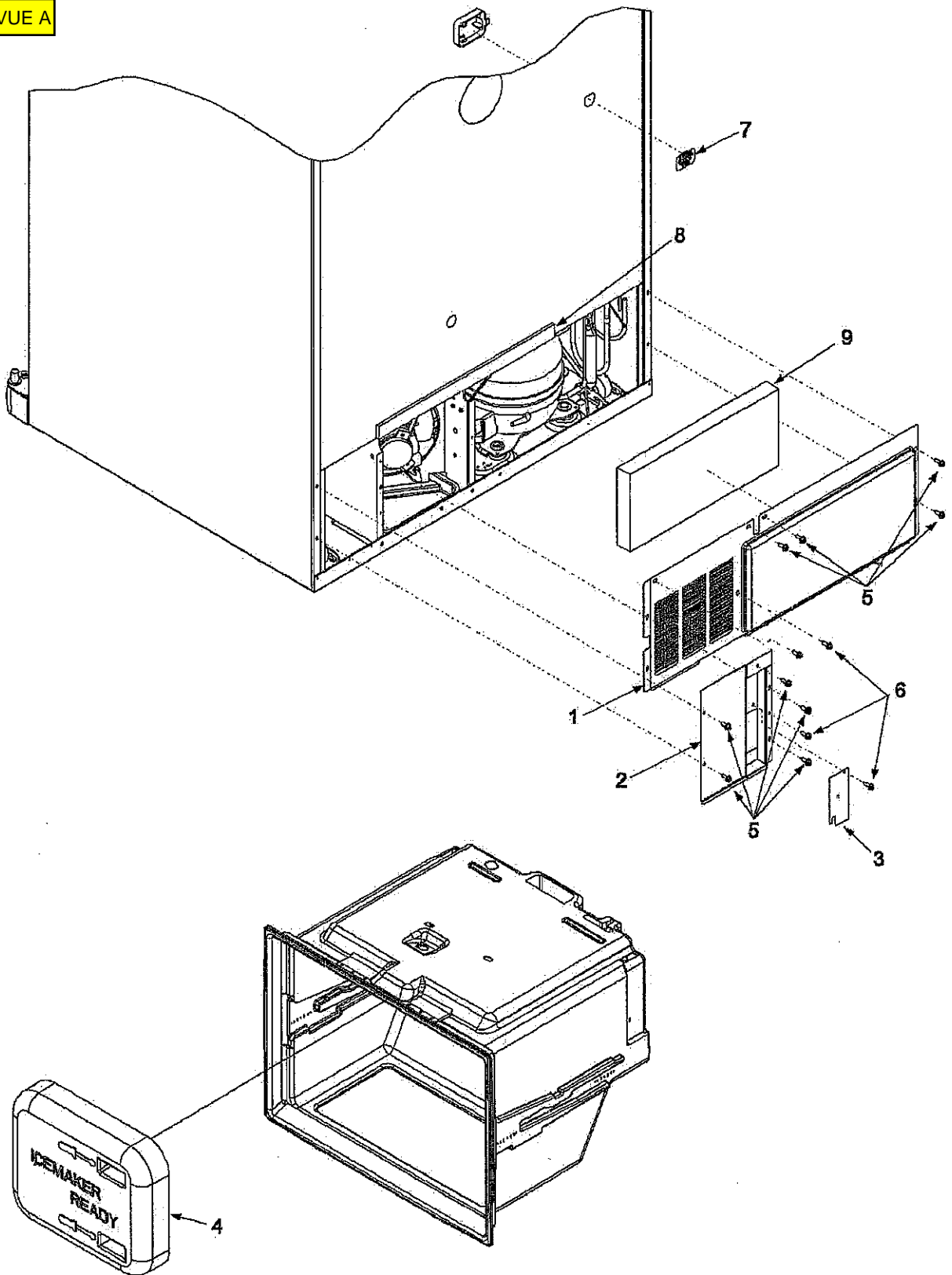
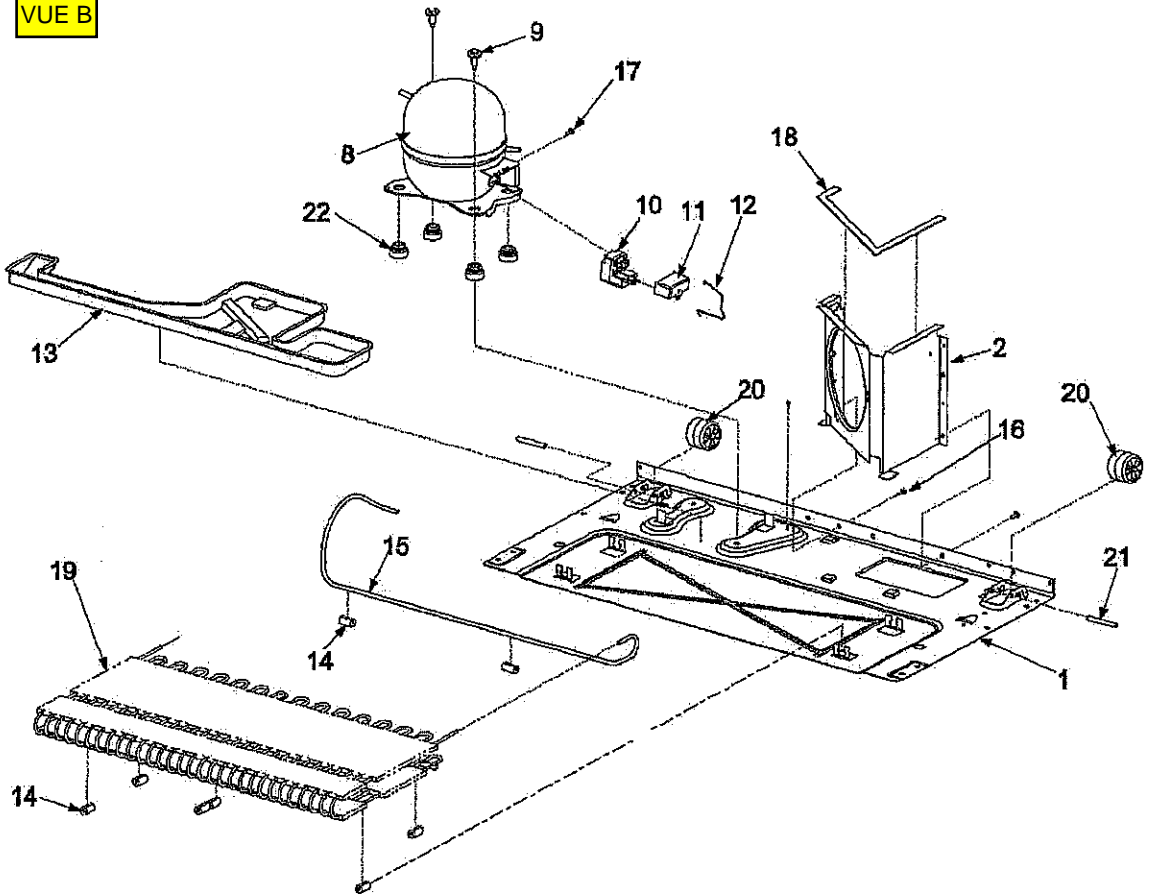


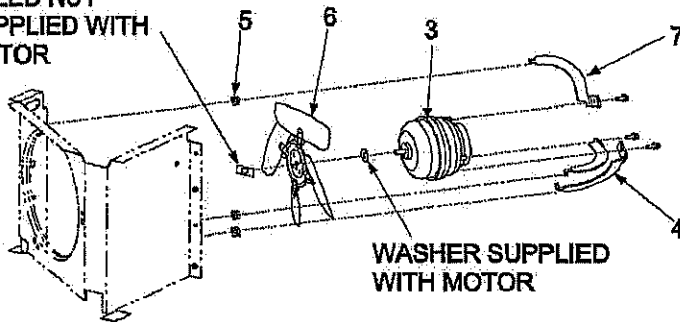
VUE A



VUE B



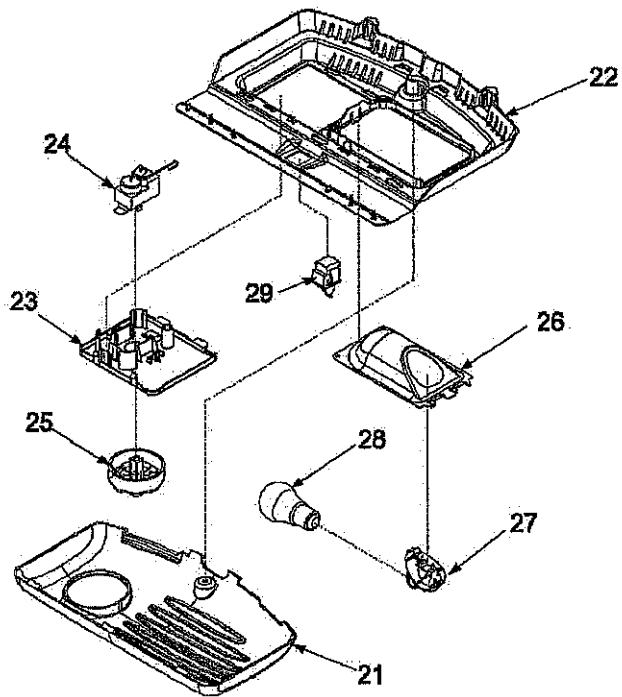
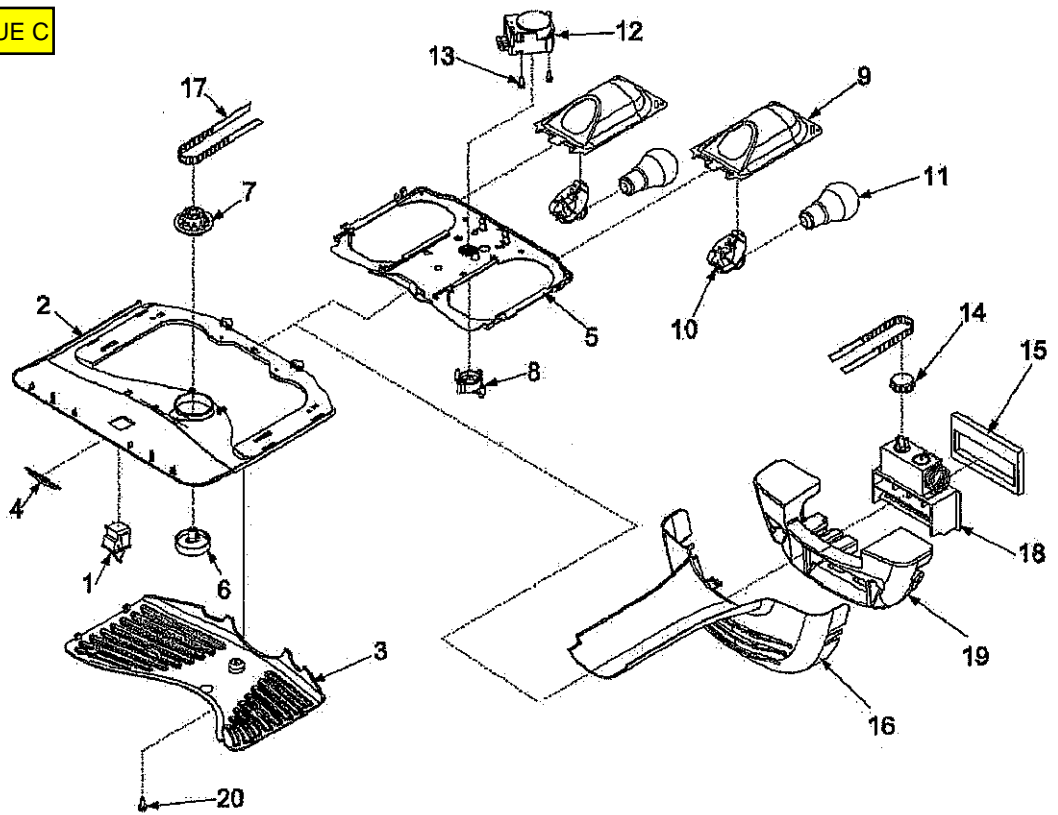
SPEED NUT  
SUPPLIED WITH  
MOTOR



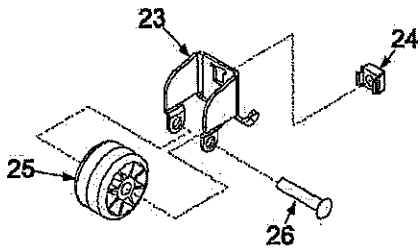
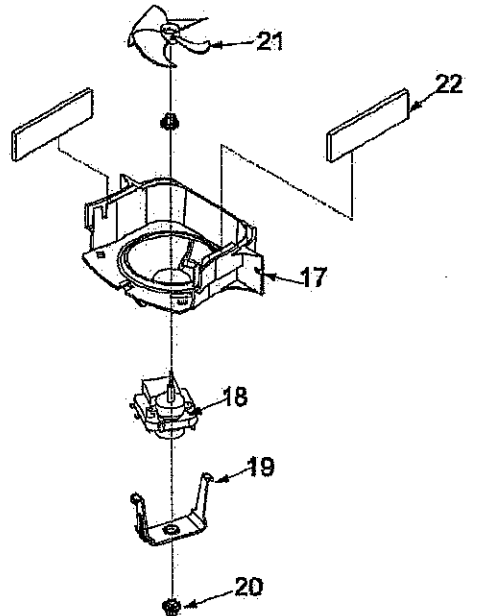
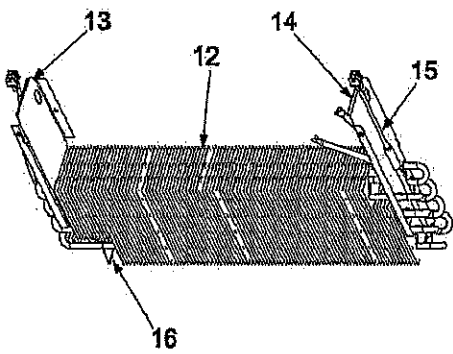
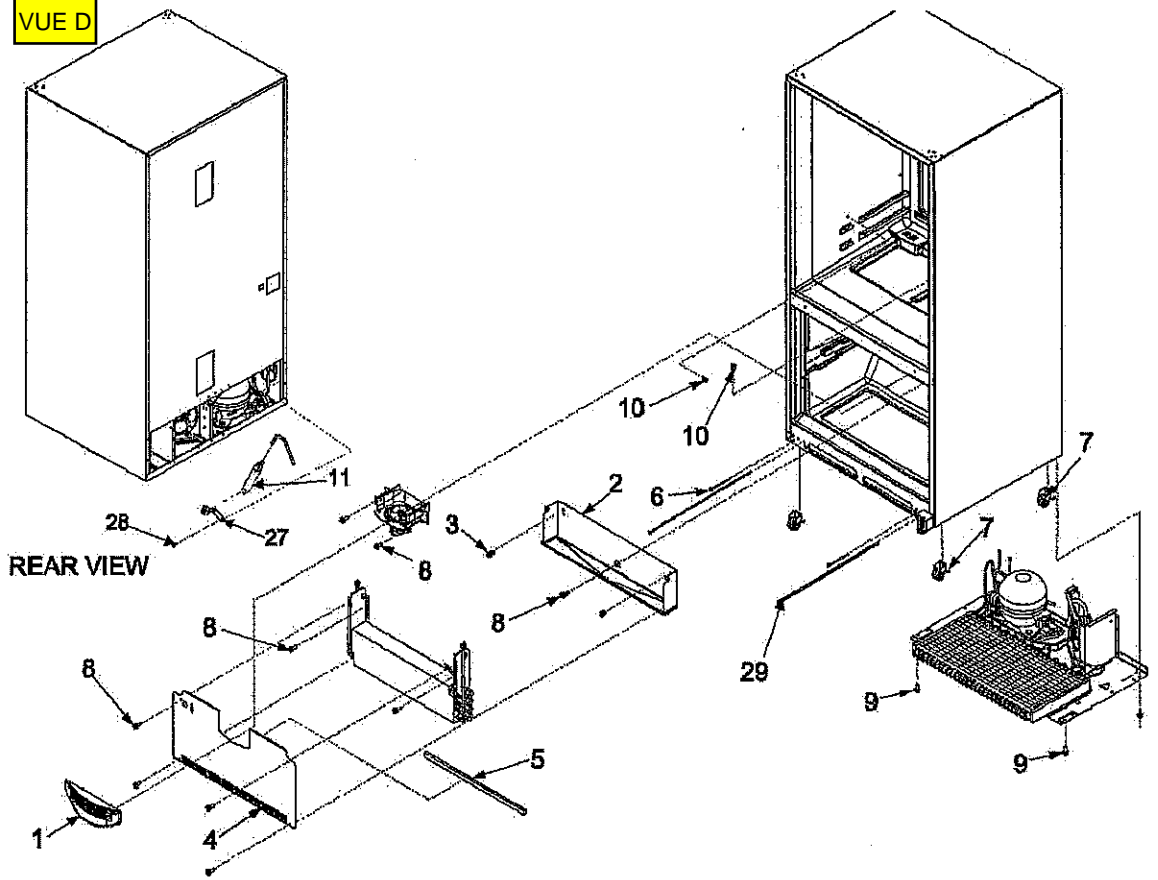
WASHER SUPPLIED  
WITH MOTOR

SHADED POLE MOTOR MODELS

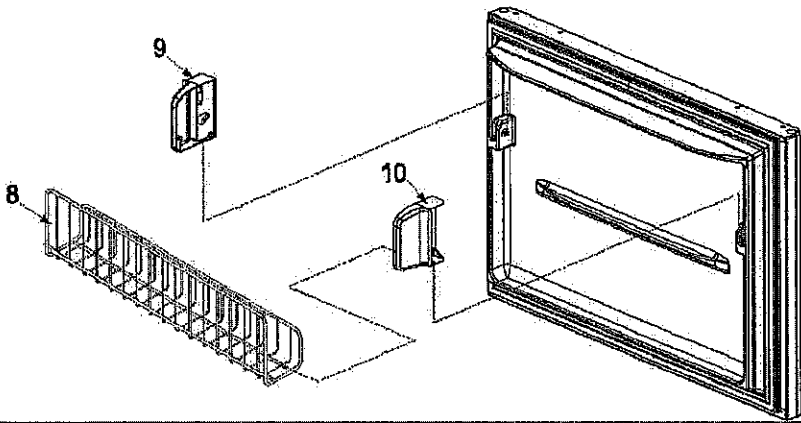
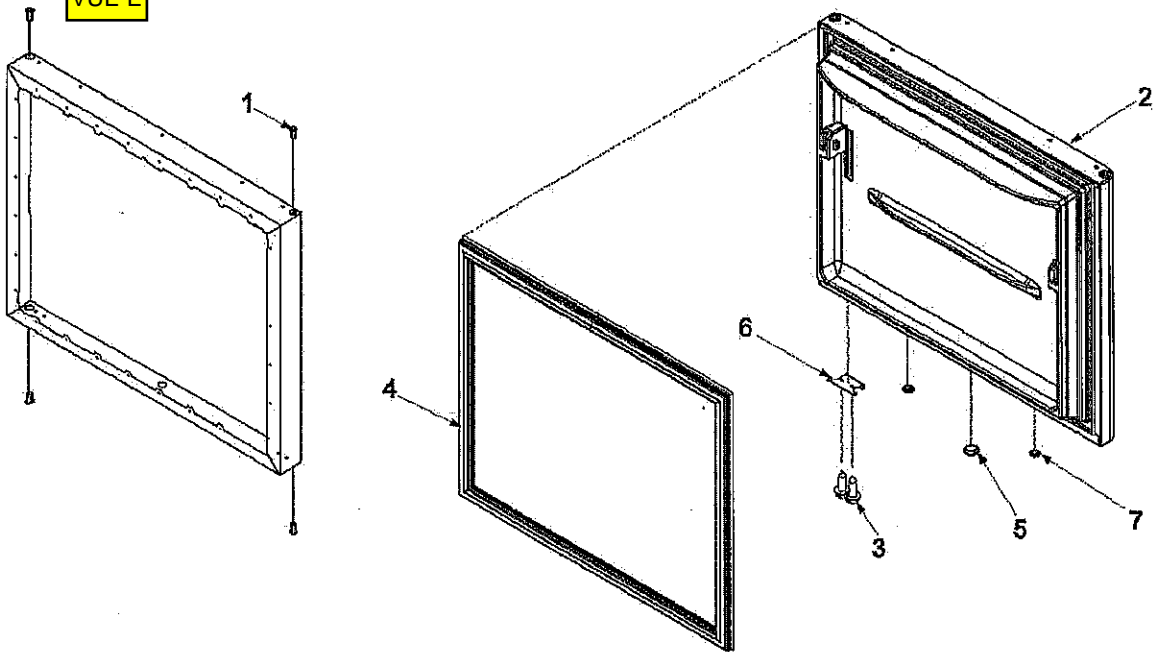
VUE C



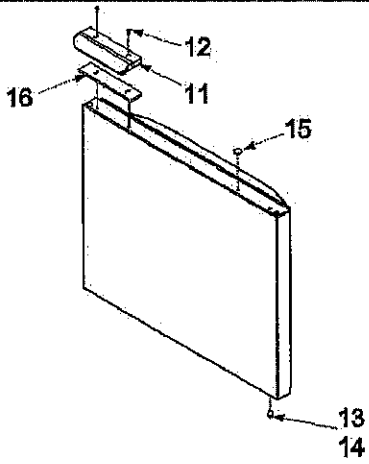
VUE D



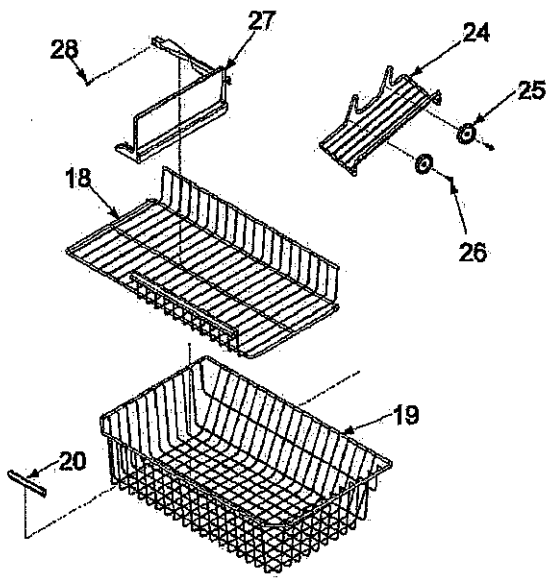
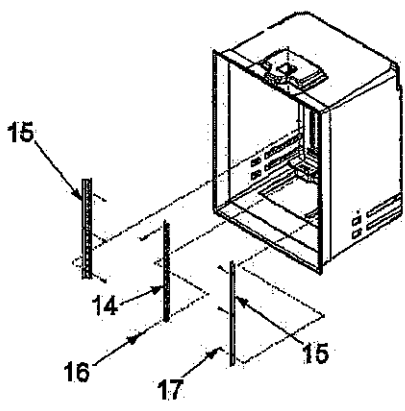
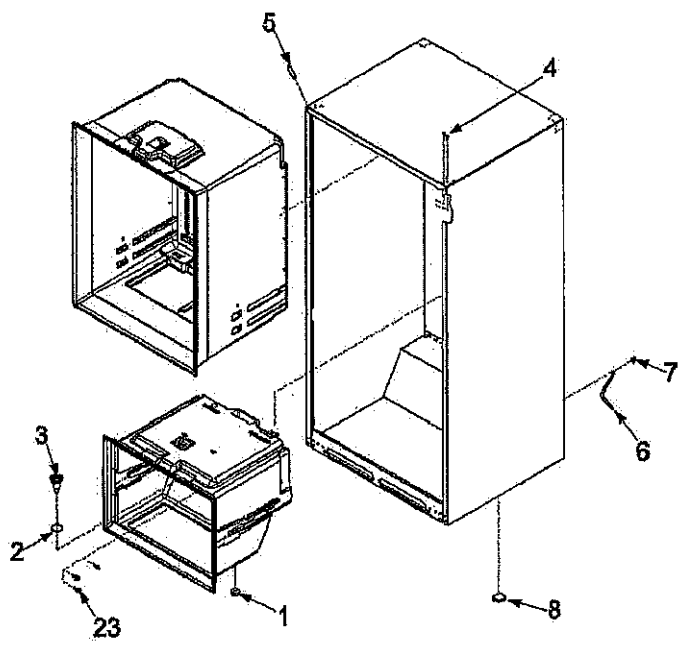
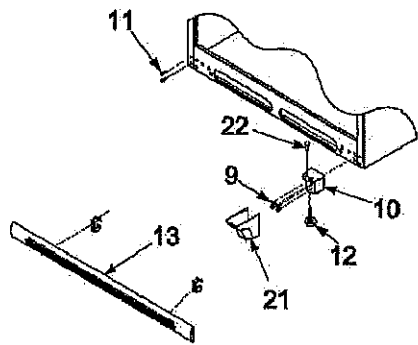
VUE E



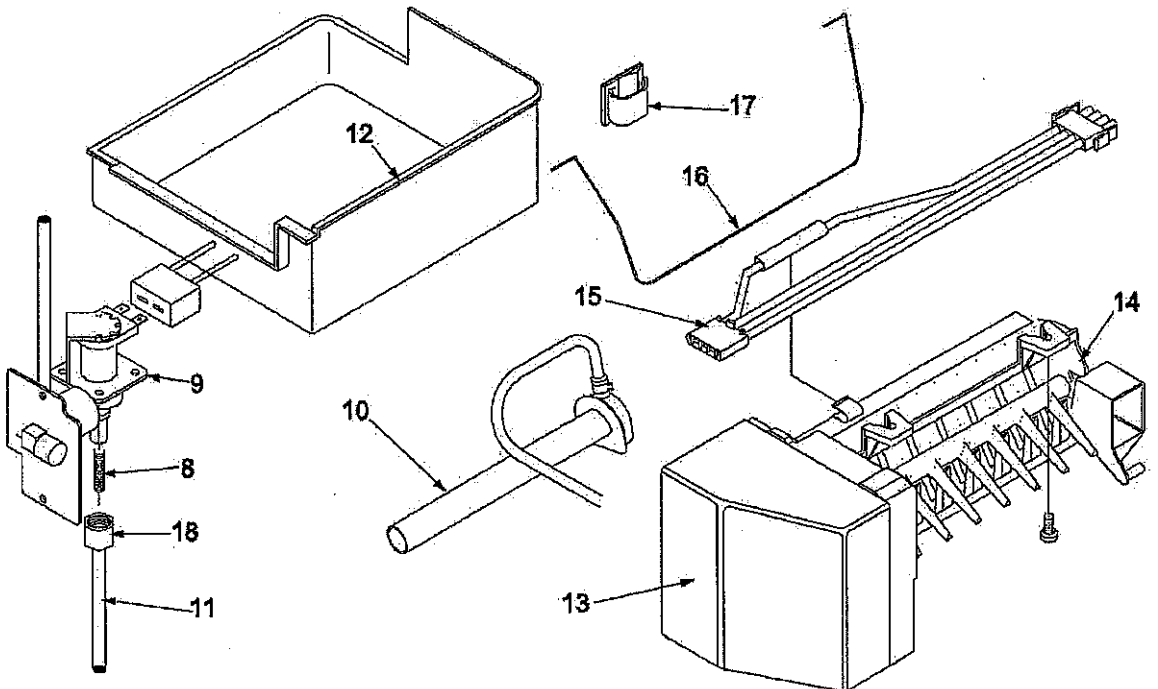
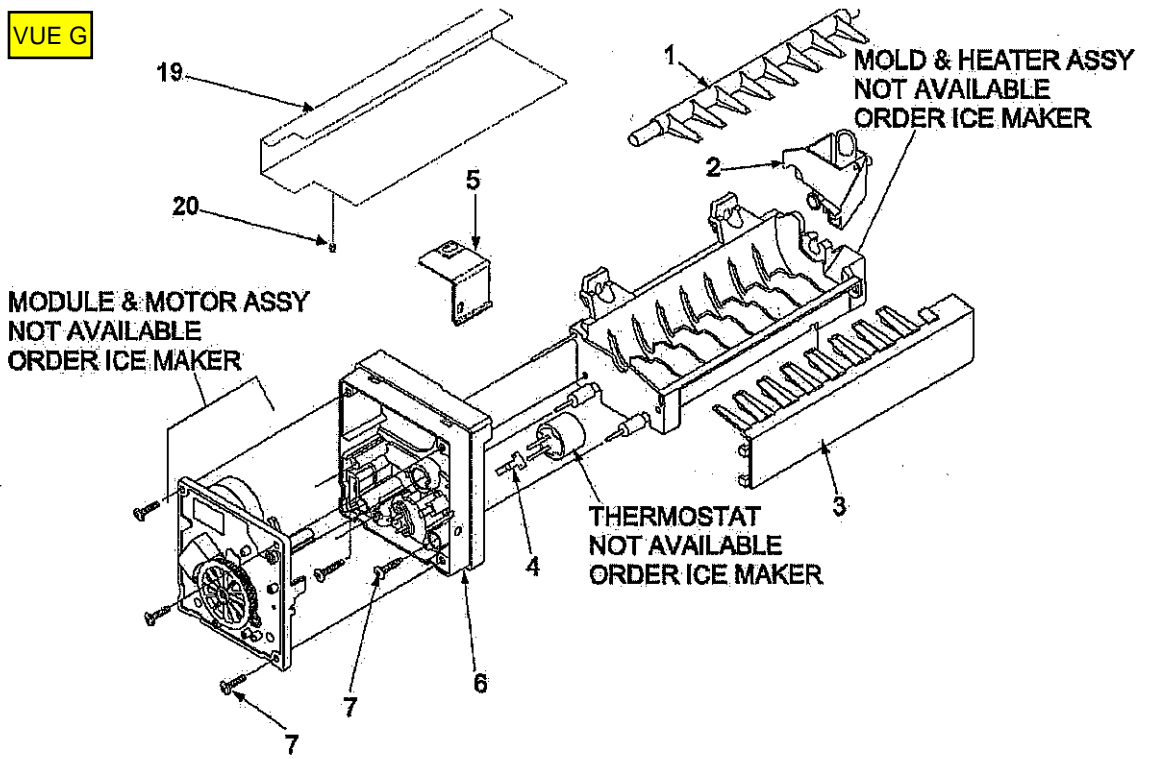
For Handle and Trim Information  
Contact Sales



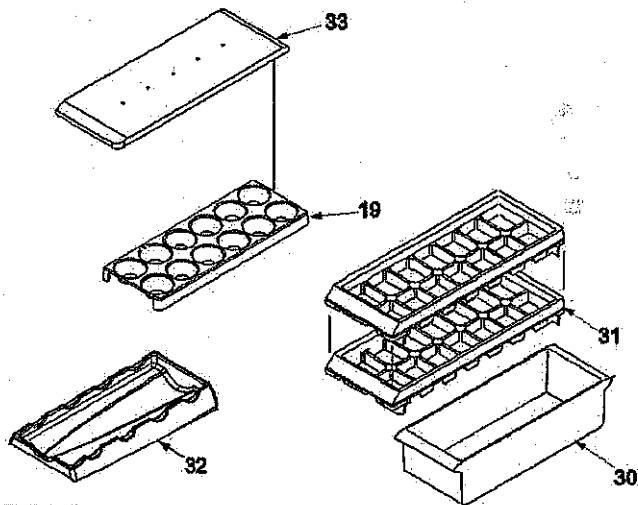
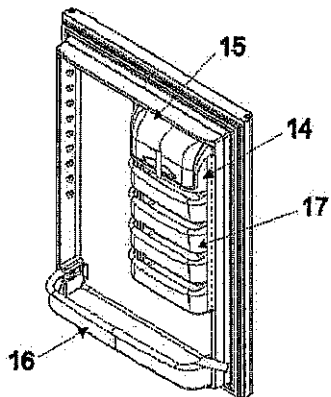
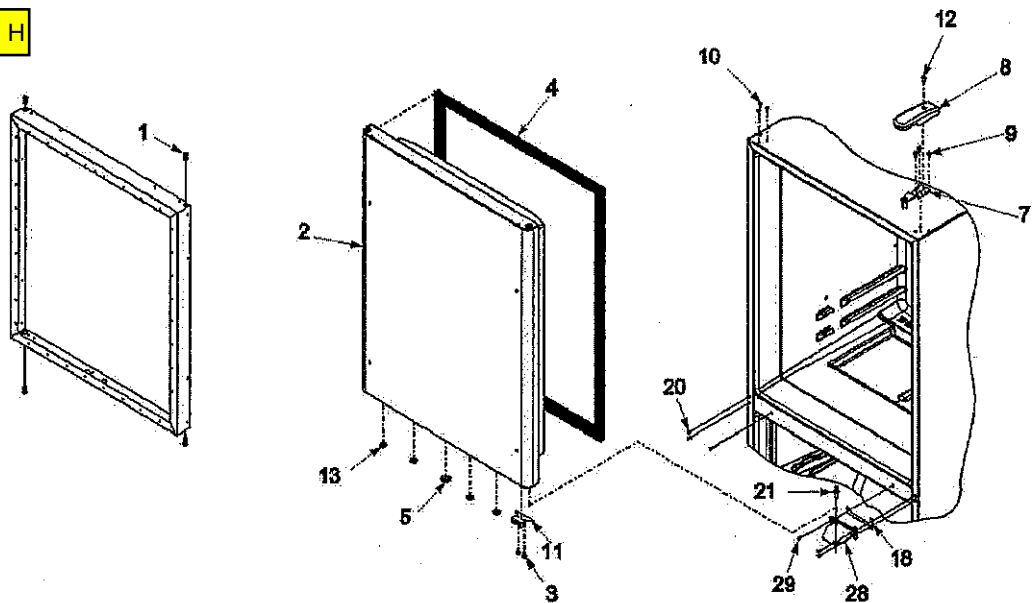
VUE F



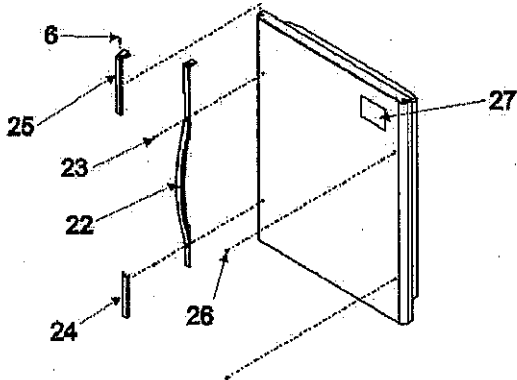
VUE G



VUE H



For Handle and Trim Information  
Contract Sales





VUE I

