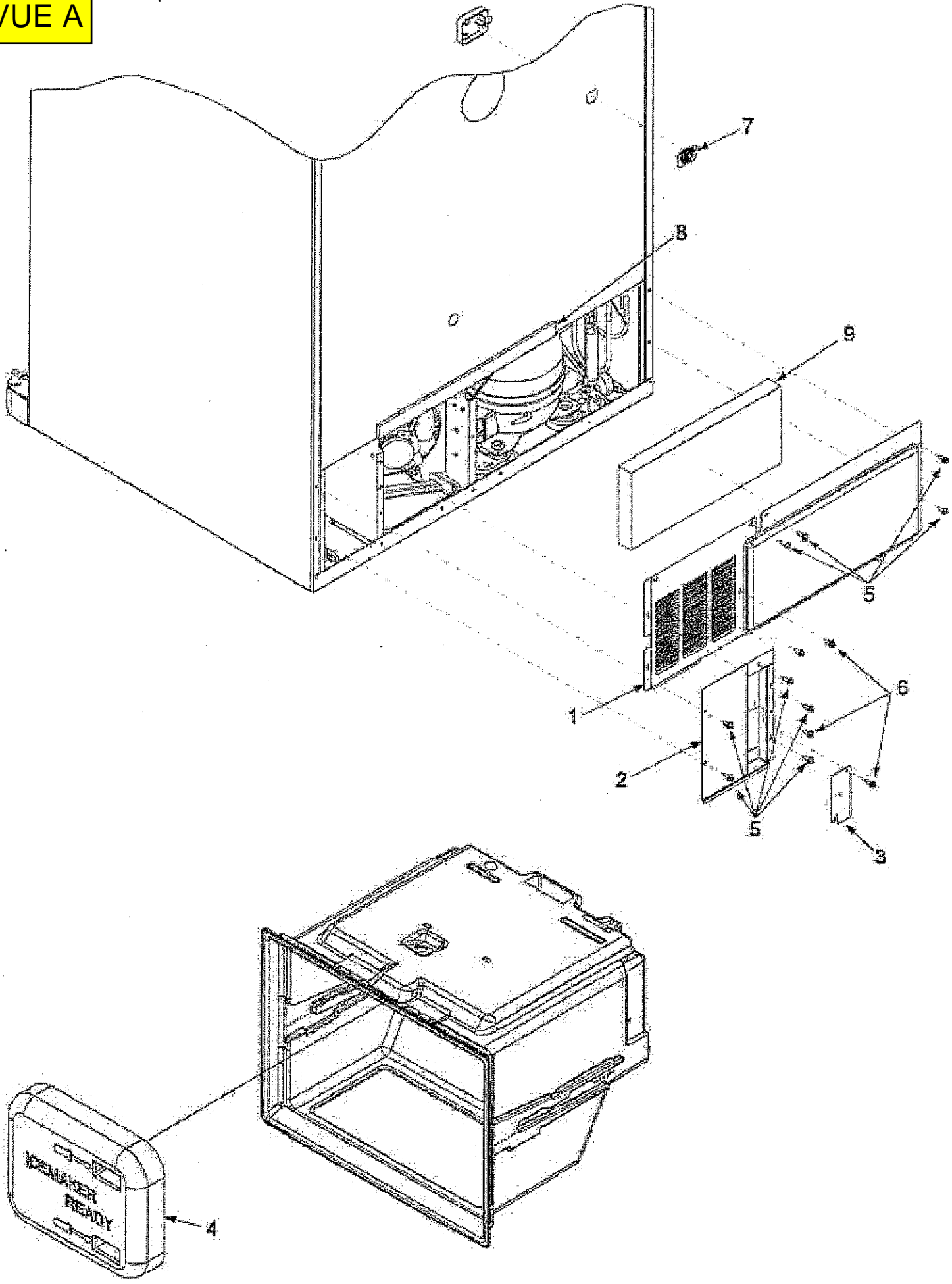
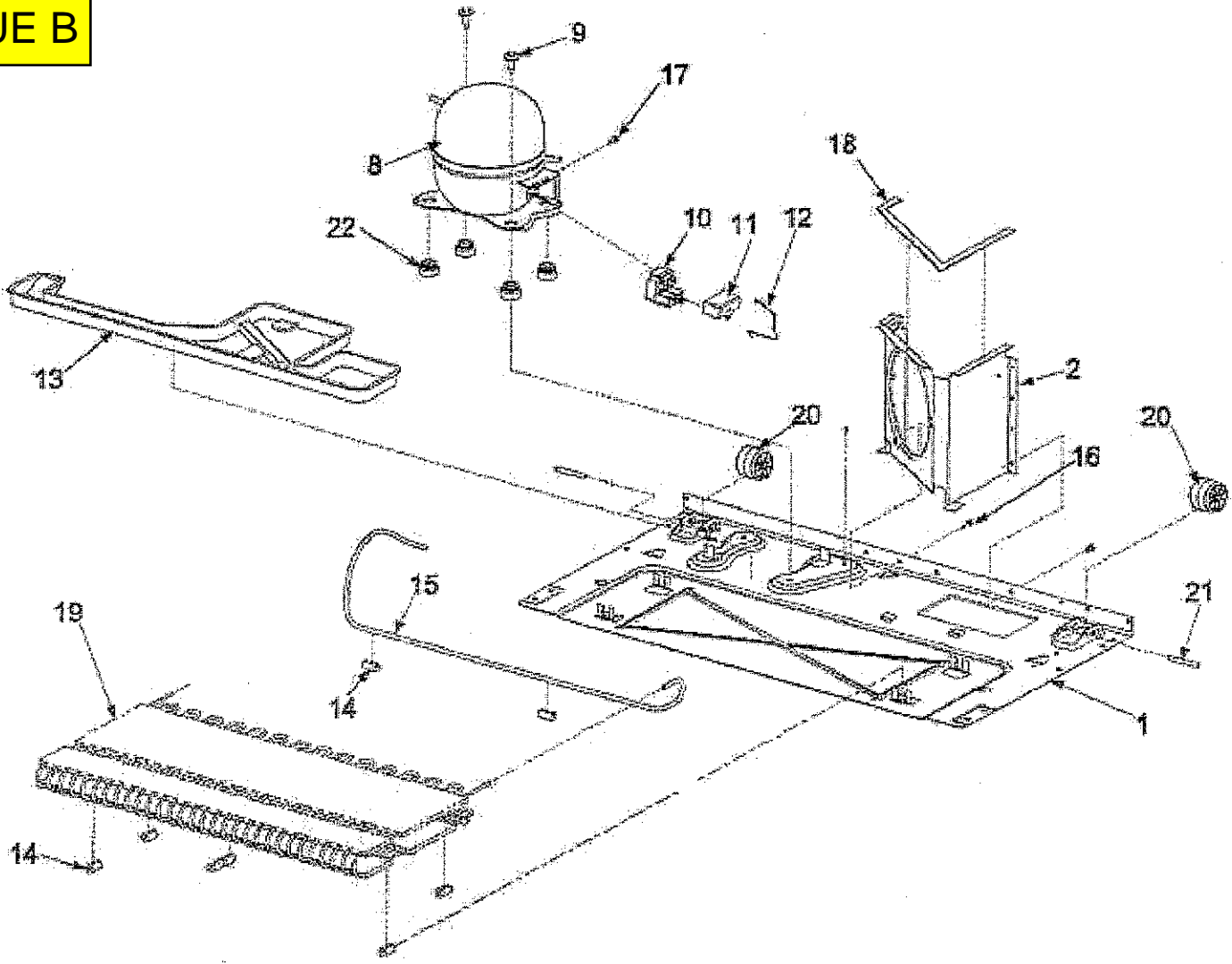


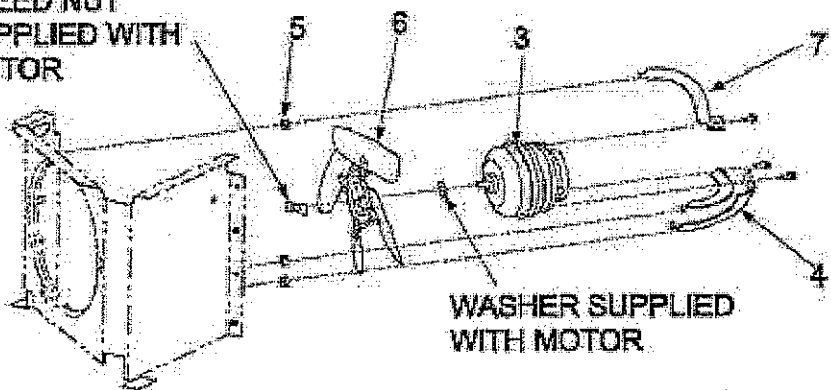
VUE A



VUE B



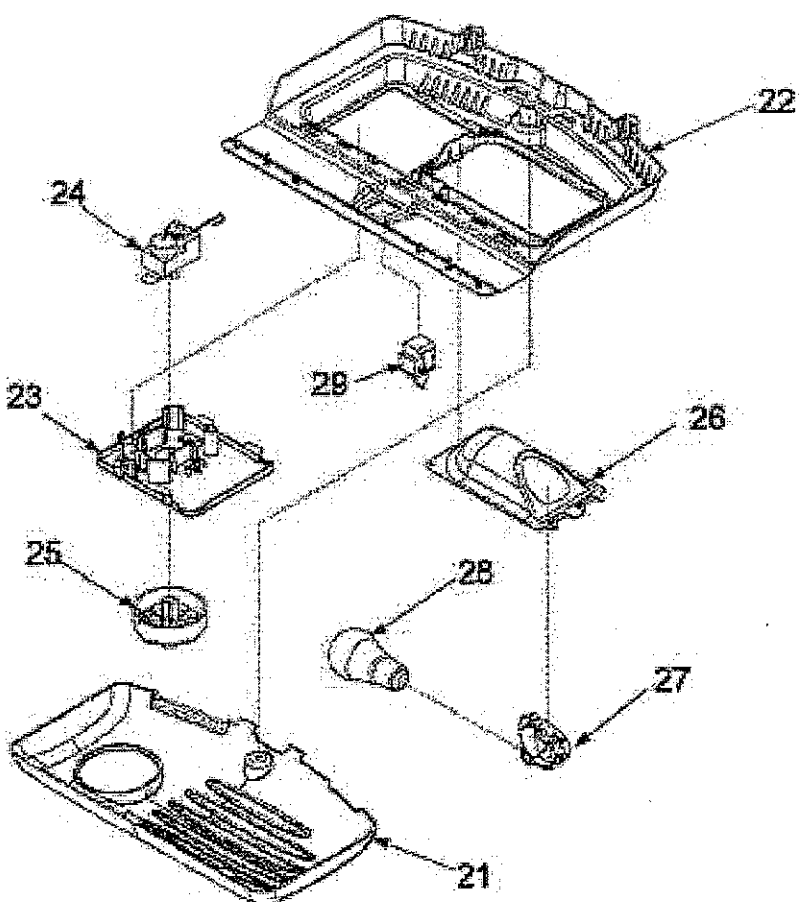
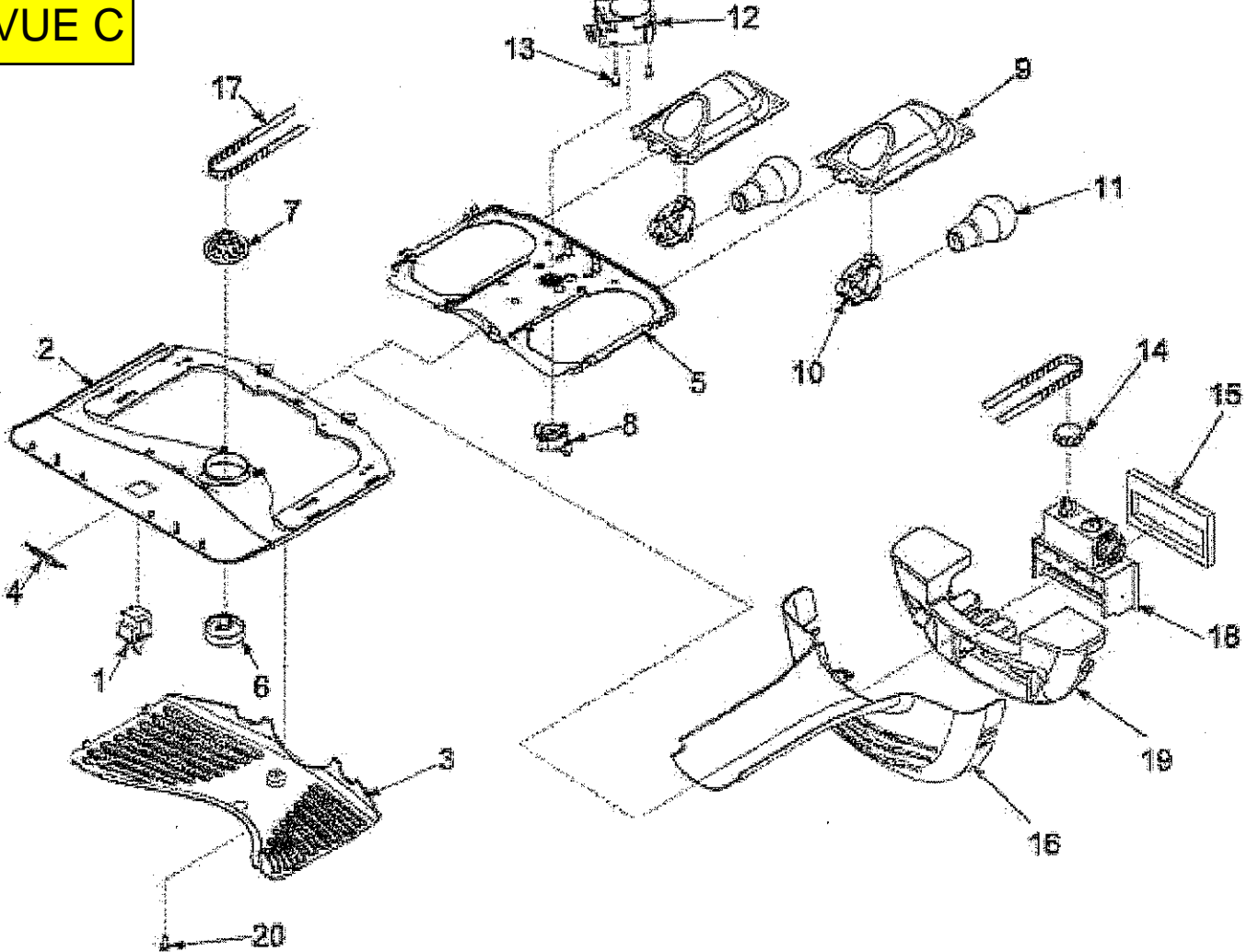
**SPEED NUT
SUPPLIED WITH
MOTOR**



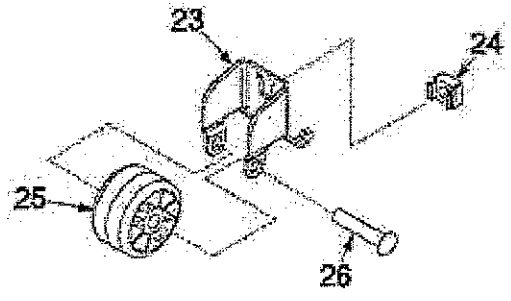
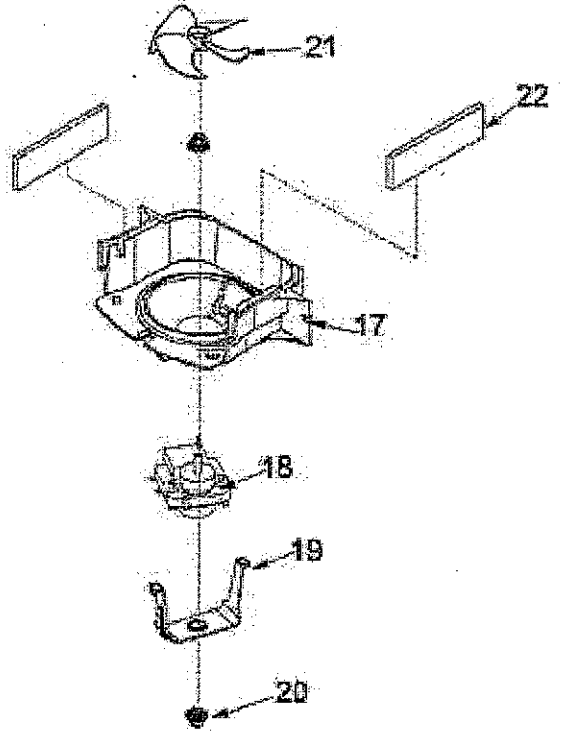
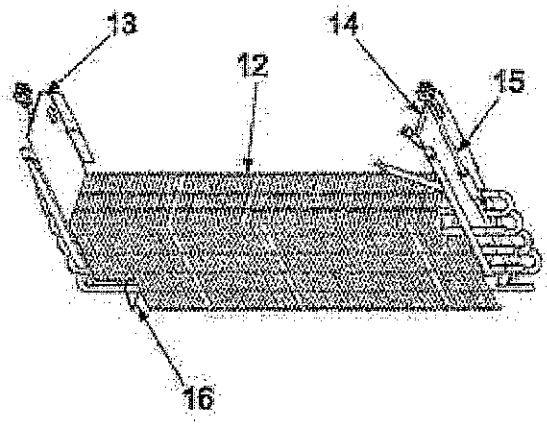
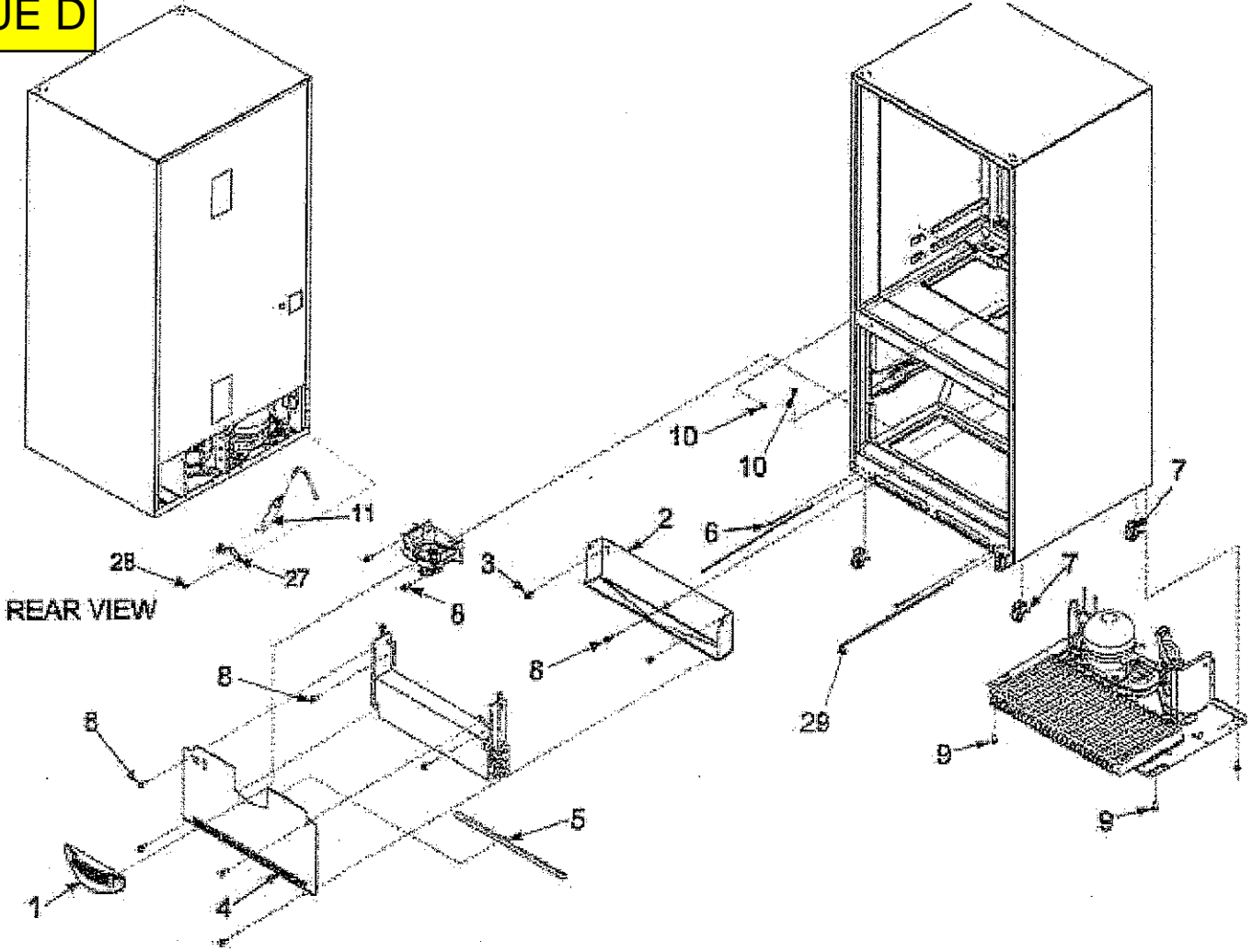
**WASHER SUPPLIED
WITH MOTOR**

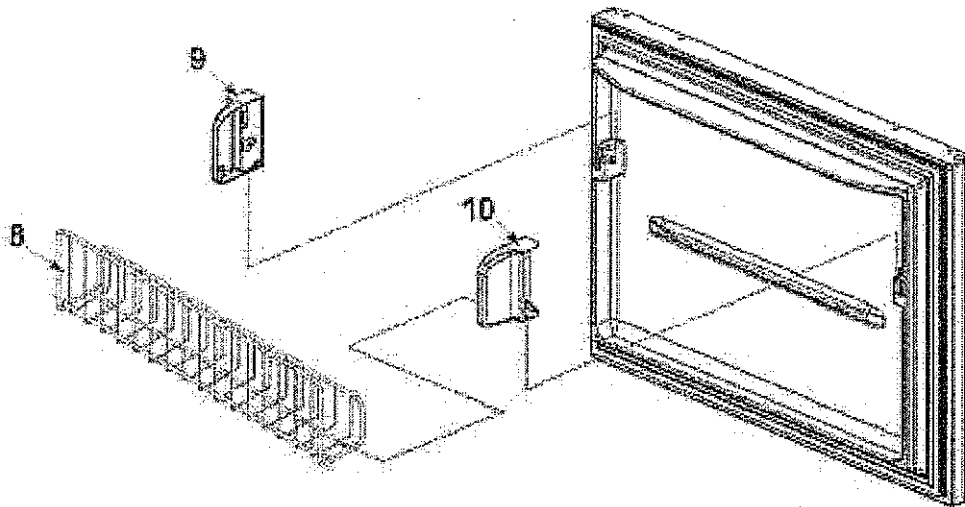
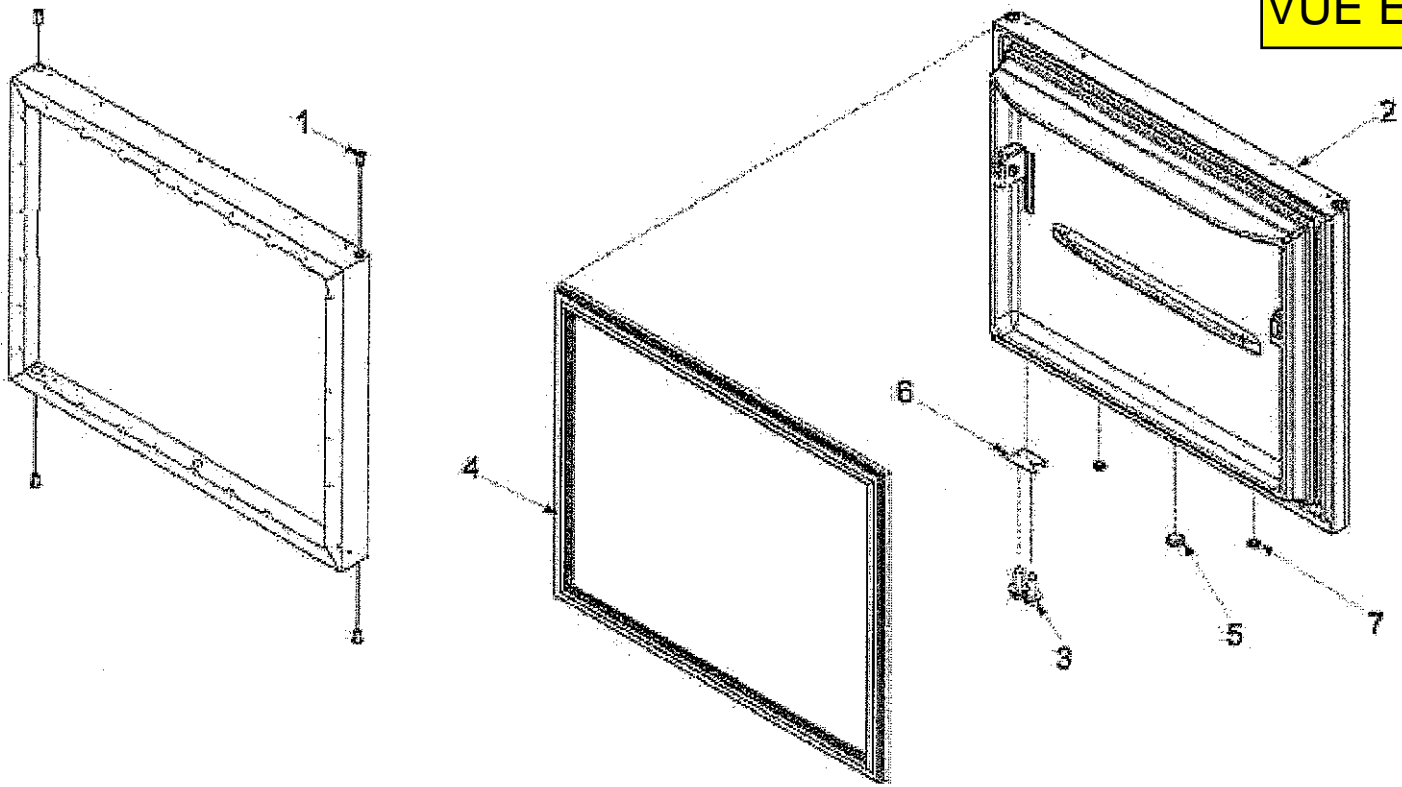
SHADED POLE MOTOR MODELS

VUE C

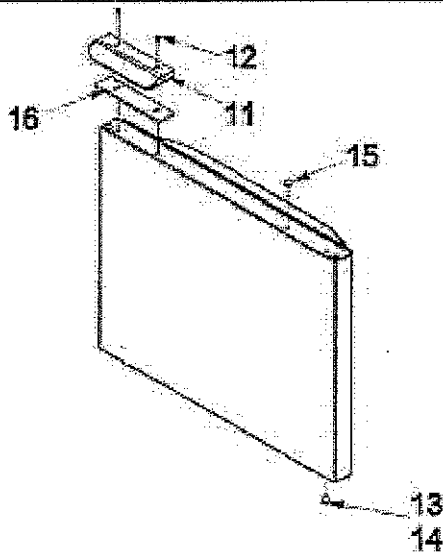


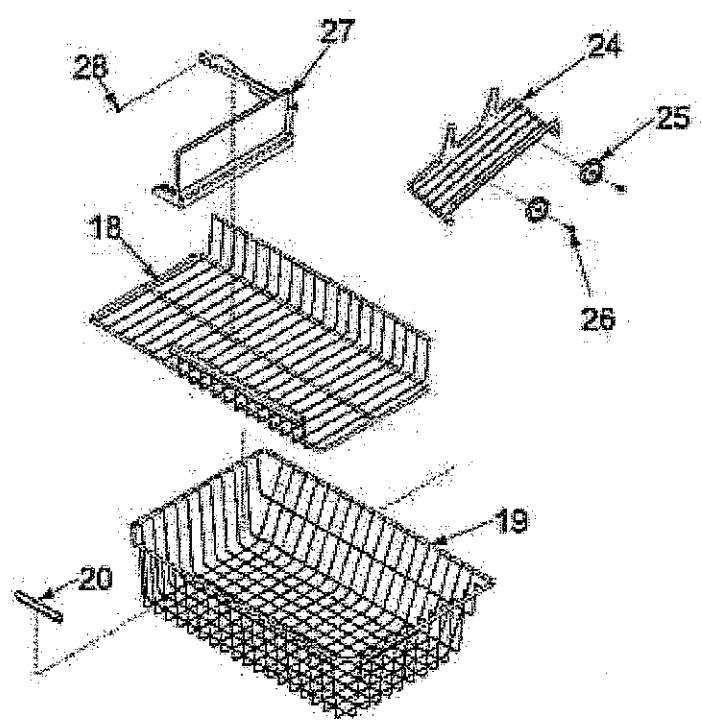
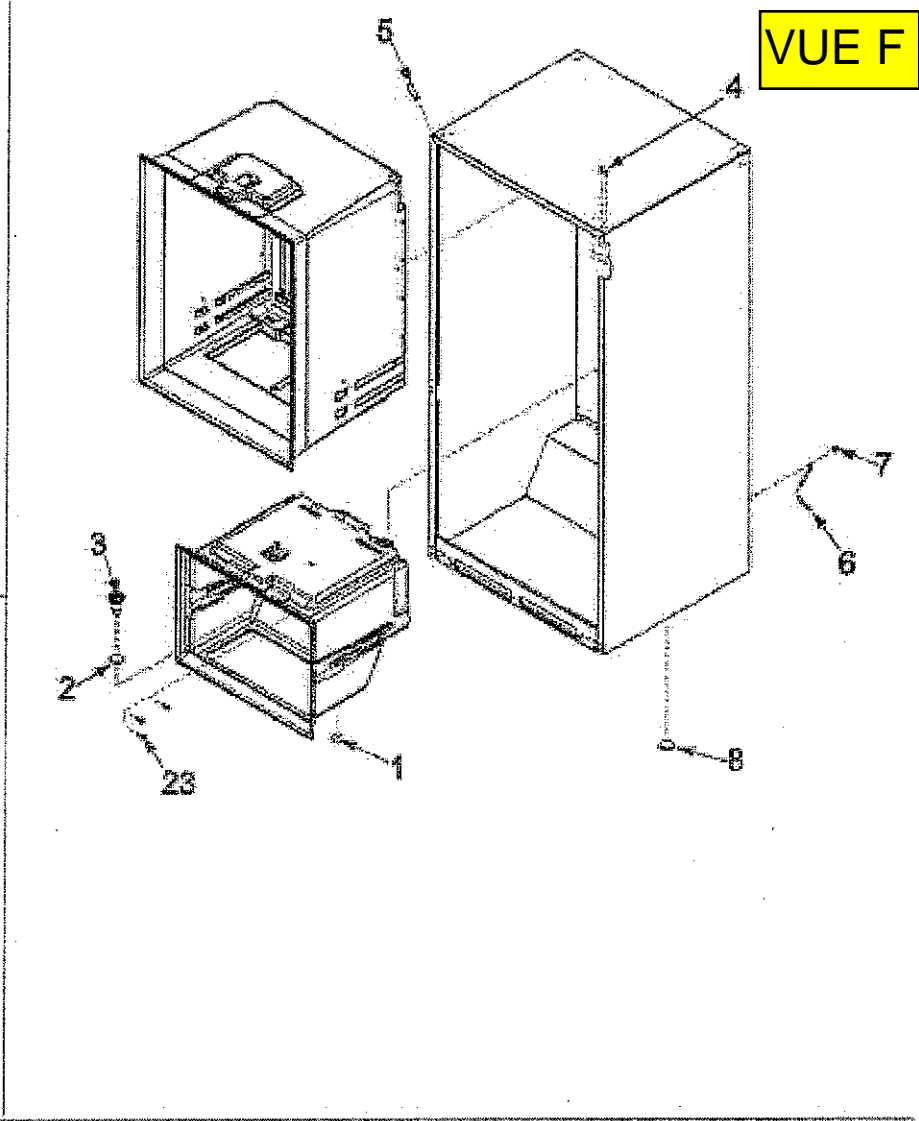
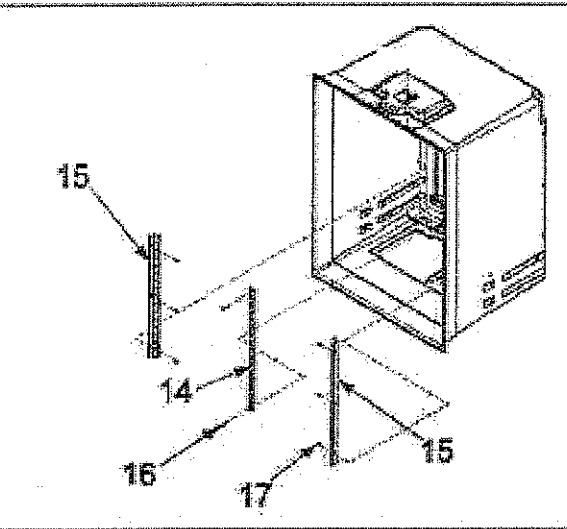
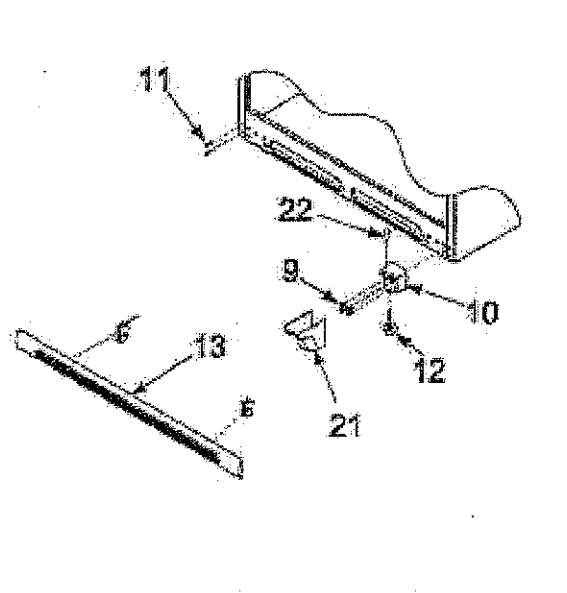
VUE D





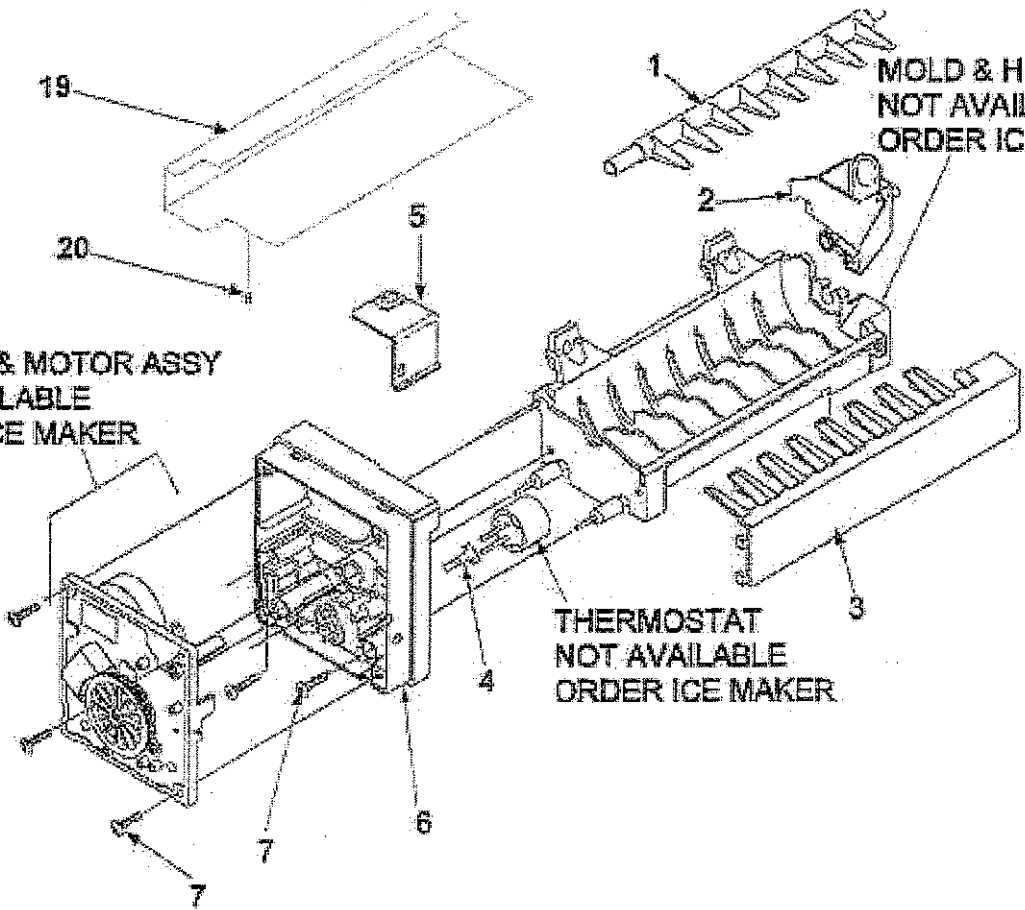
For Handle and Trim Information
Contact Sales





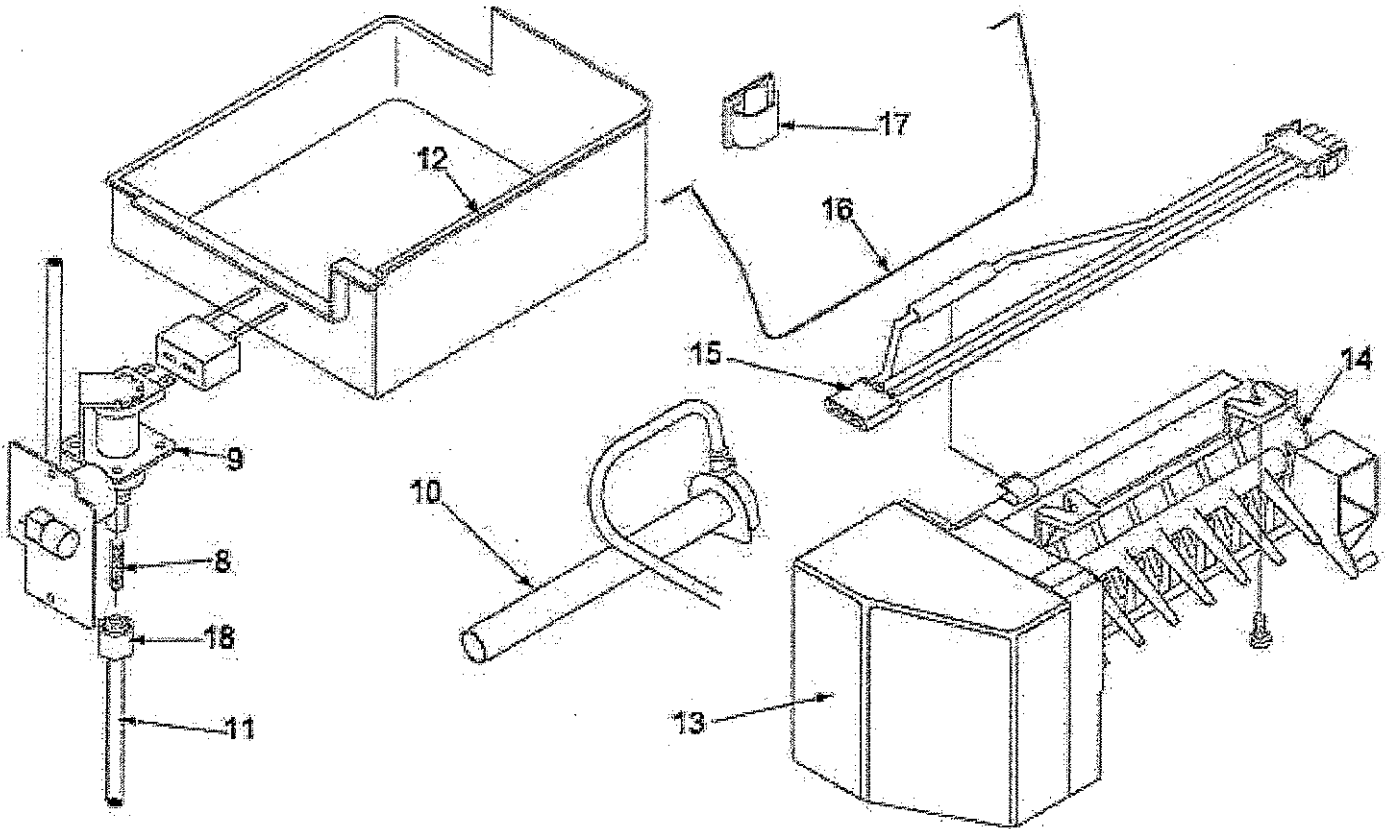
VUE G

MODULE & MOTOR ASSY
NOT AVAILABLE
ORDER ICE MAKER

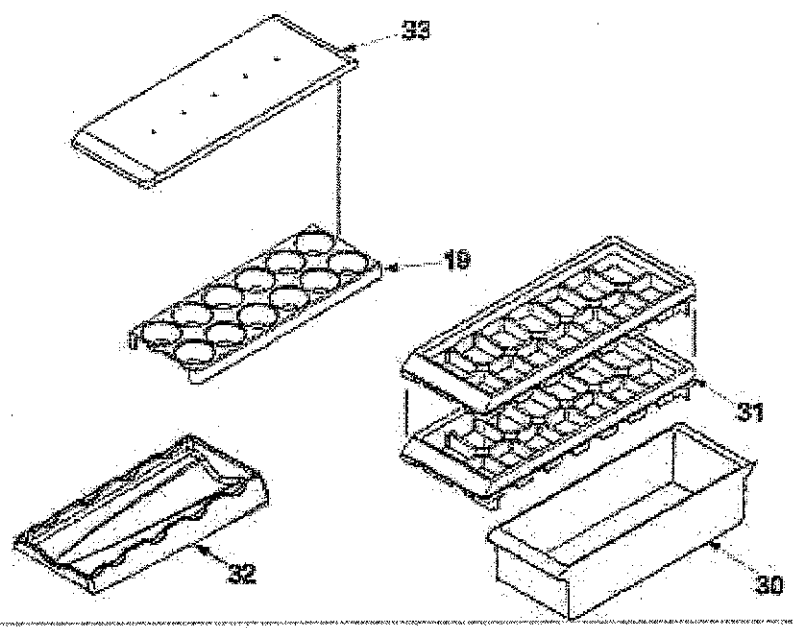
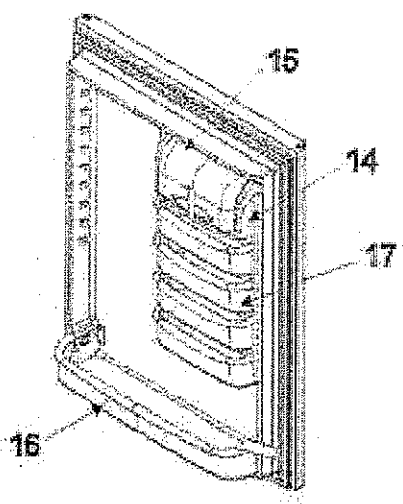
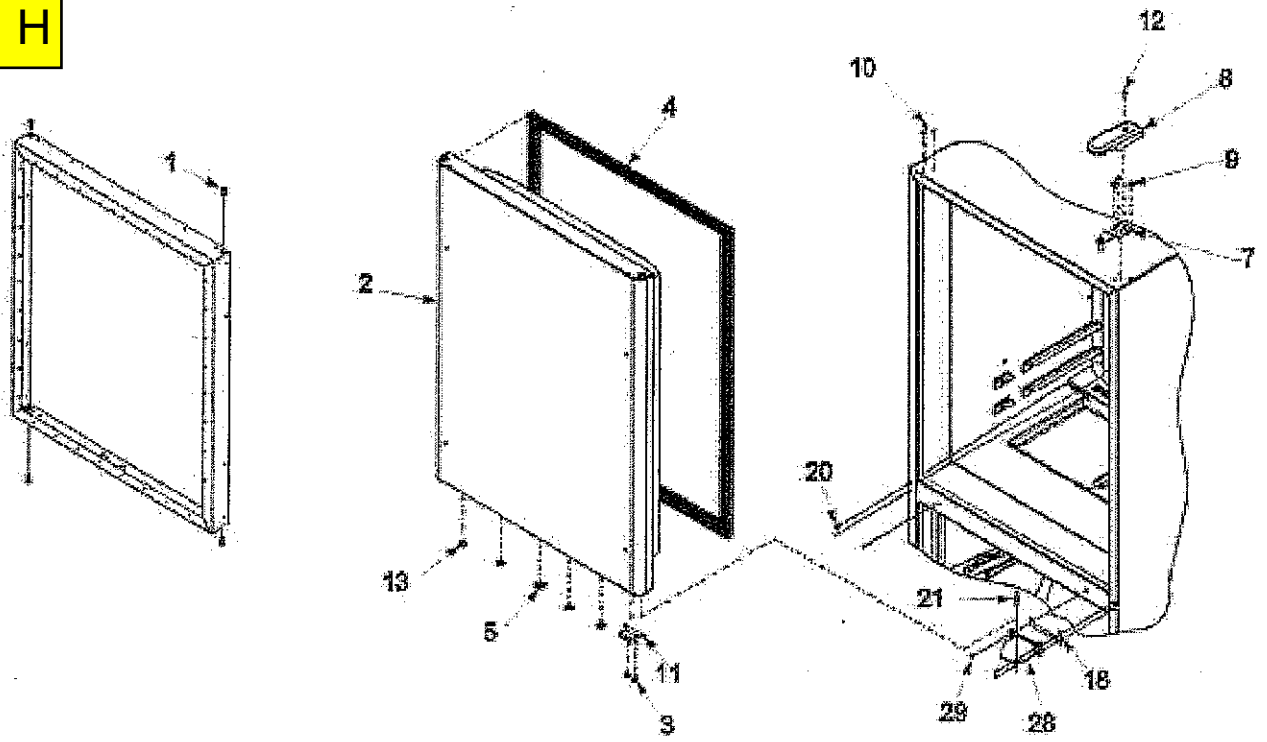


MOLD & HEATER ASSY
NOT AVAILABLE
ORDER ICE MAKER

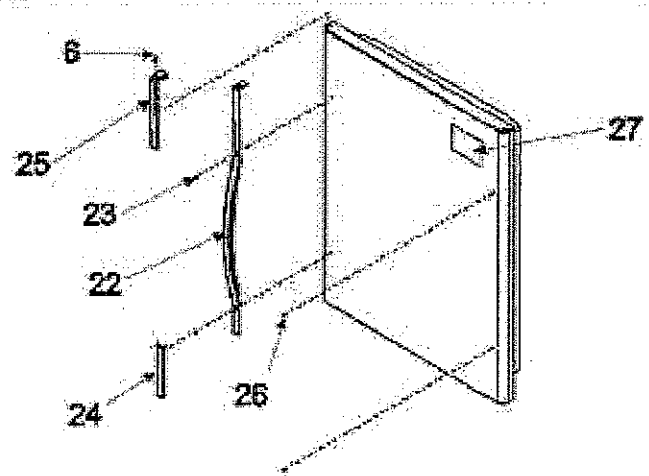
THERMOSTAT
NOT AVAILABLE
ORDER ICE MAKER



VUE H



For Handle and Trim Information
Contract Sales



VUE I

