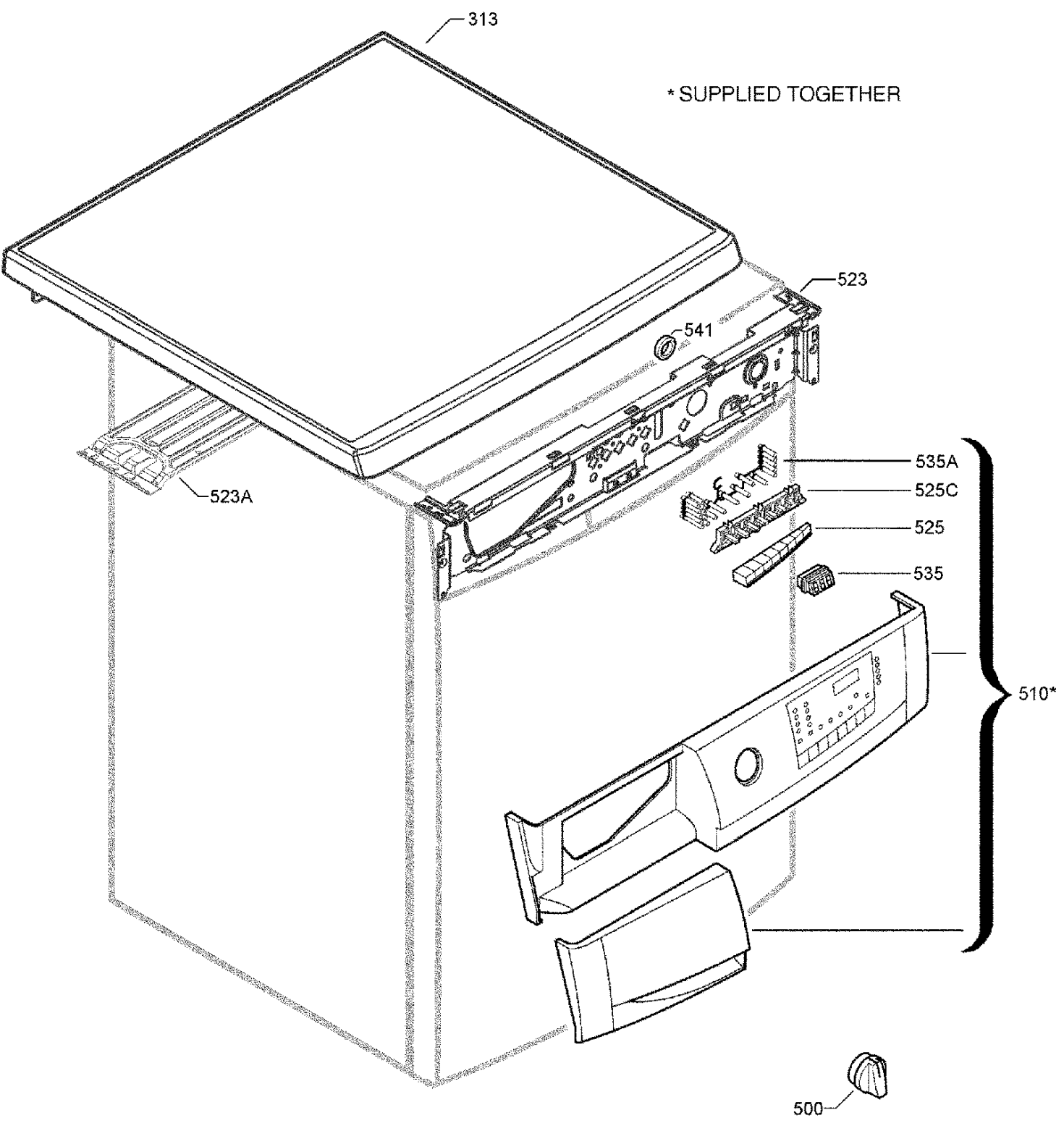




313

\* SUPPLIED TOGETHER



523A

541

523

535A

525C

525

535

510\*

500

