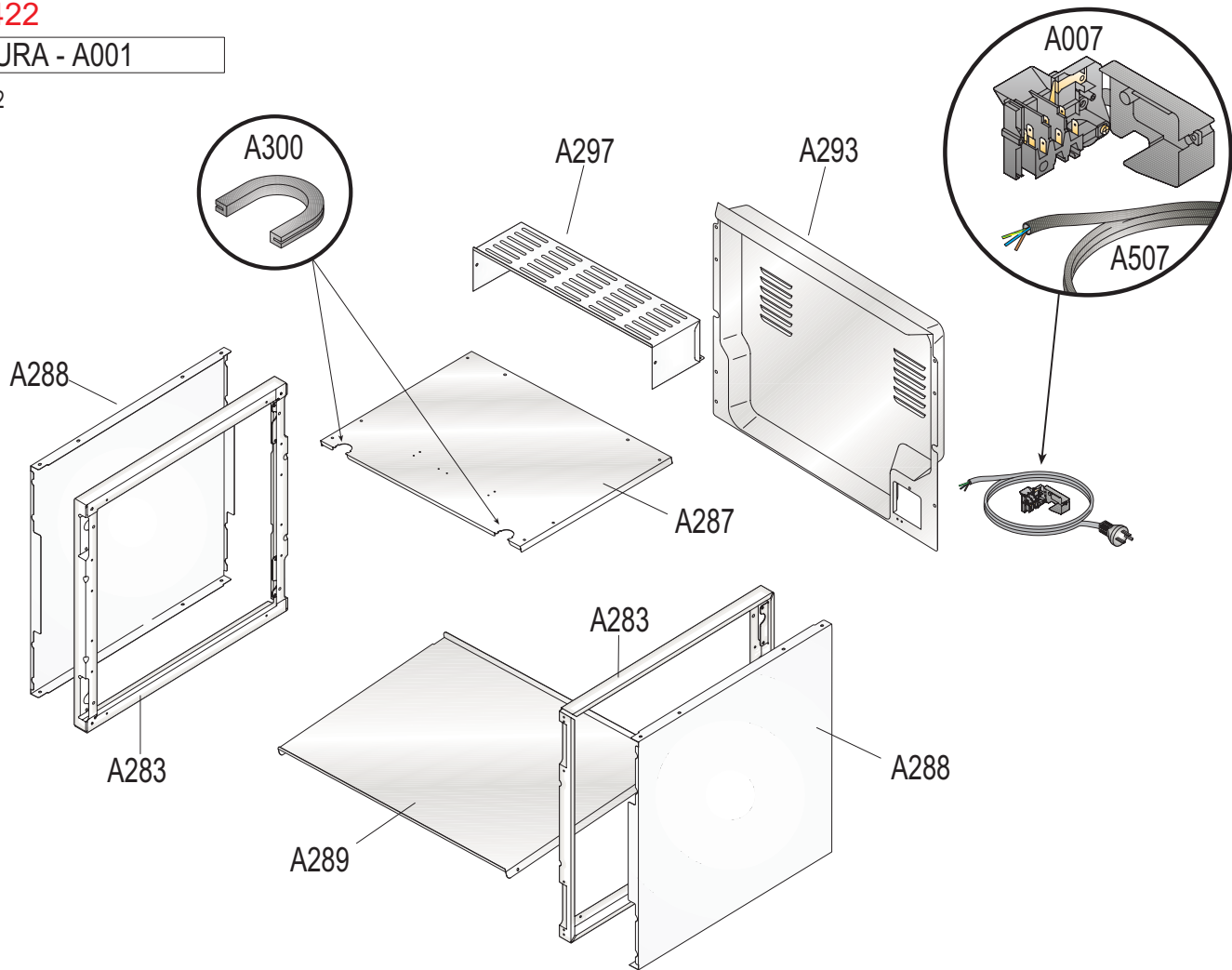


999022422

STRUTTURA - A001

AGG. 13-05-02

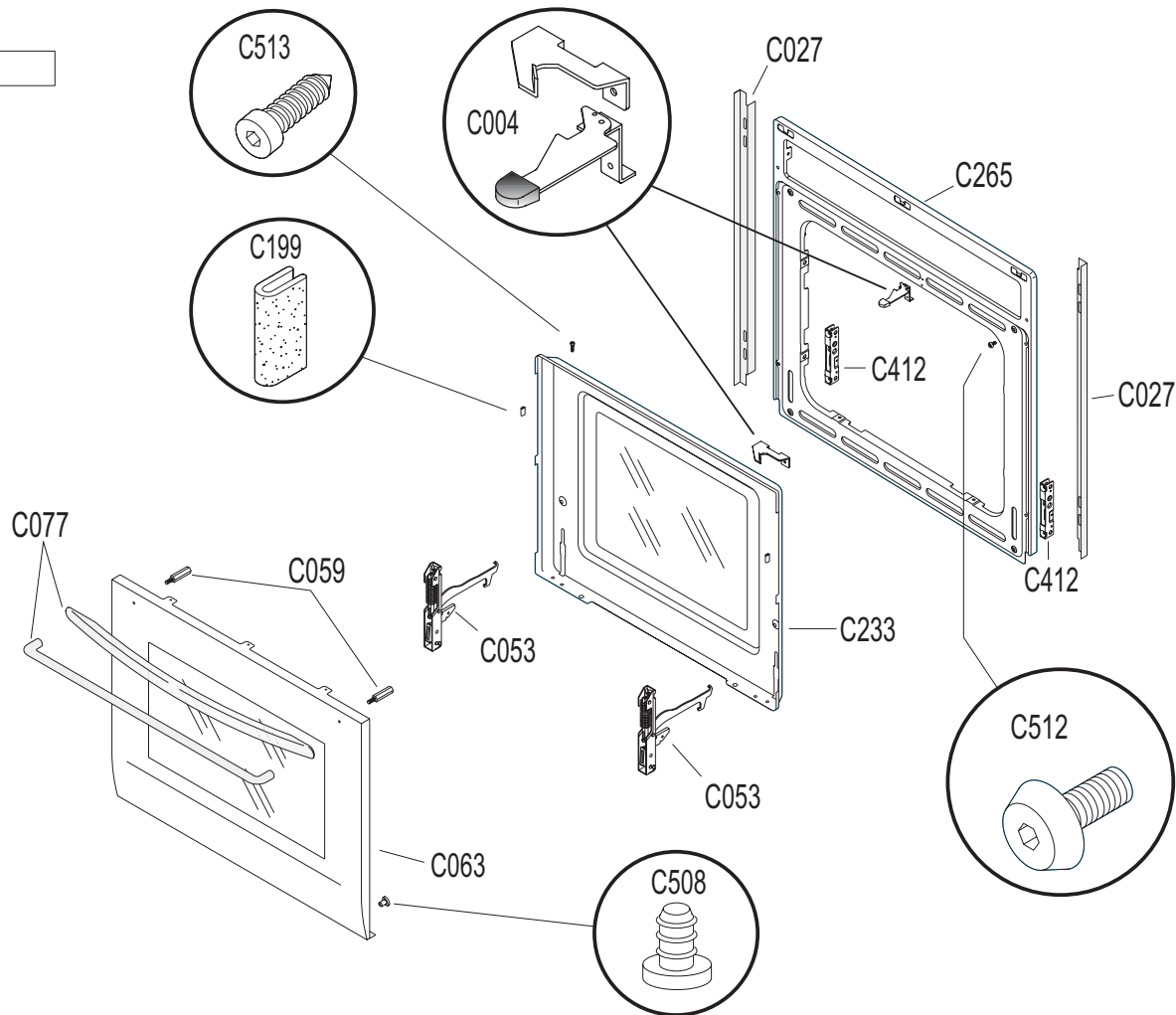




999022458

ESTETICA - C-006

AGG. 09-10-01



999022429

FRONTALINO - D-008

FRONTALINO 2F-1A

AGG. 27-03-02

