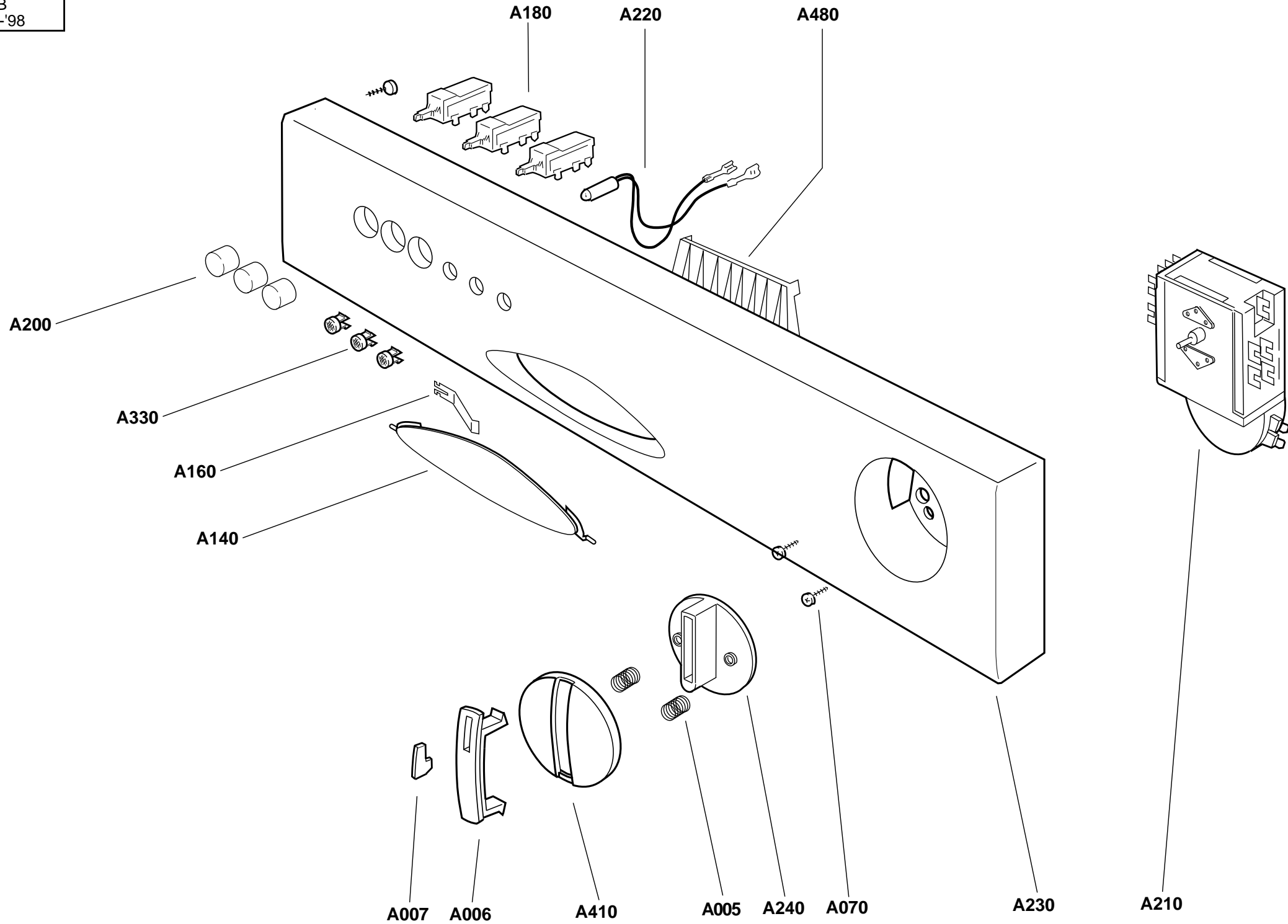
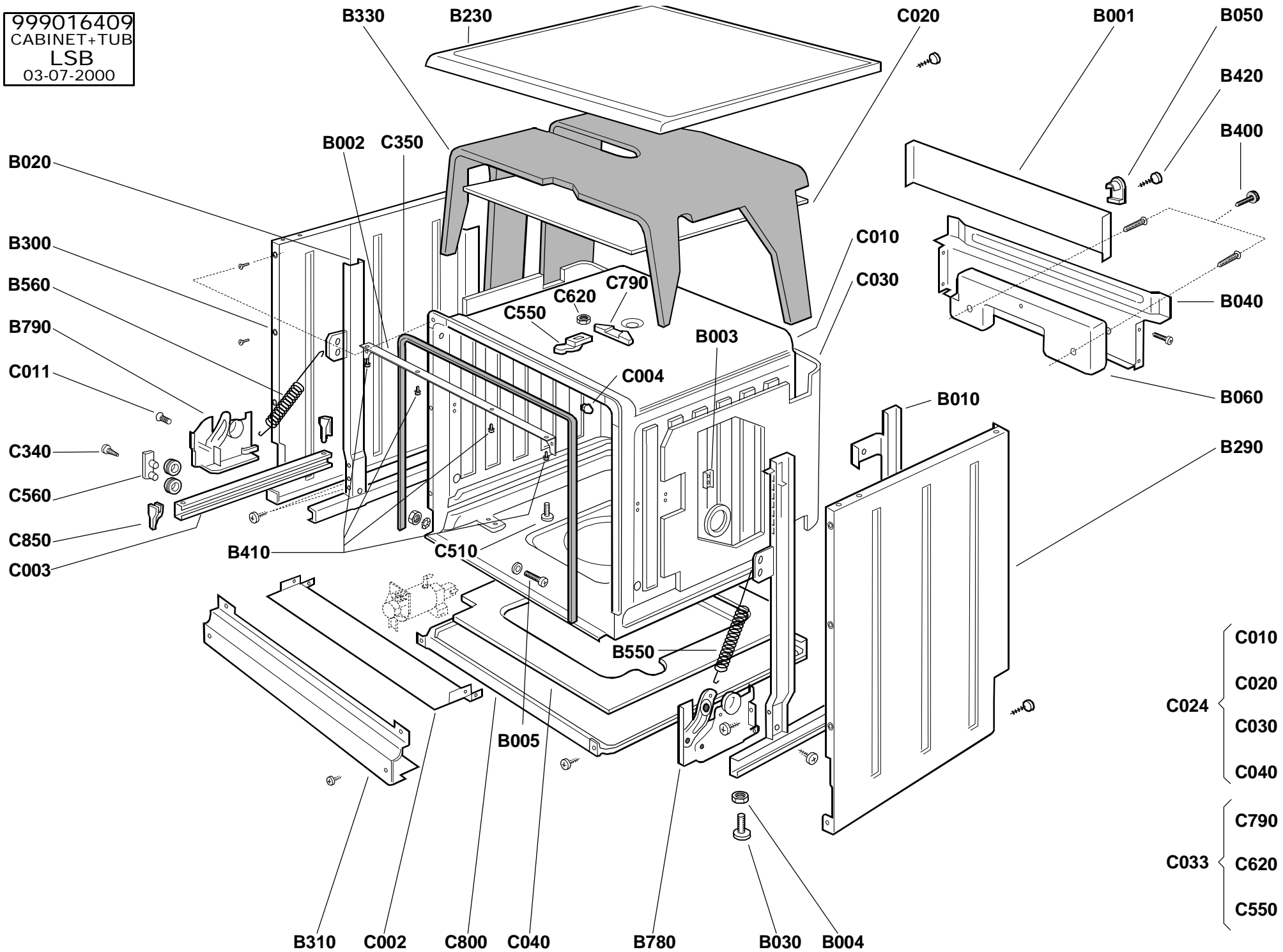




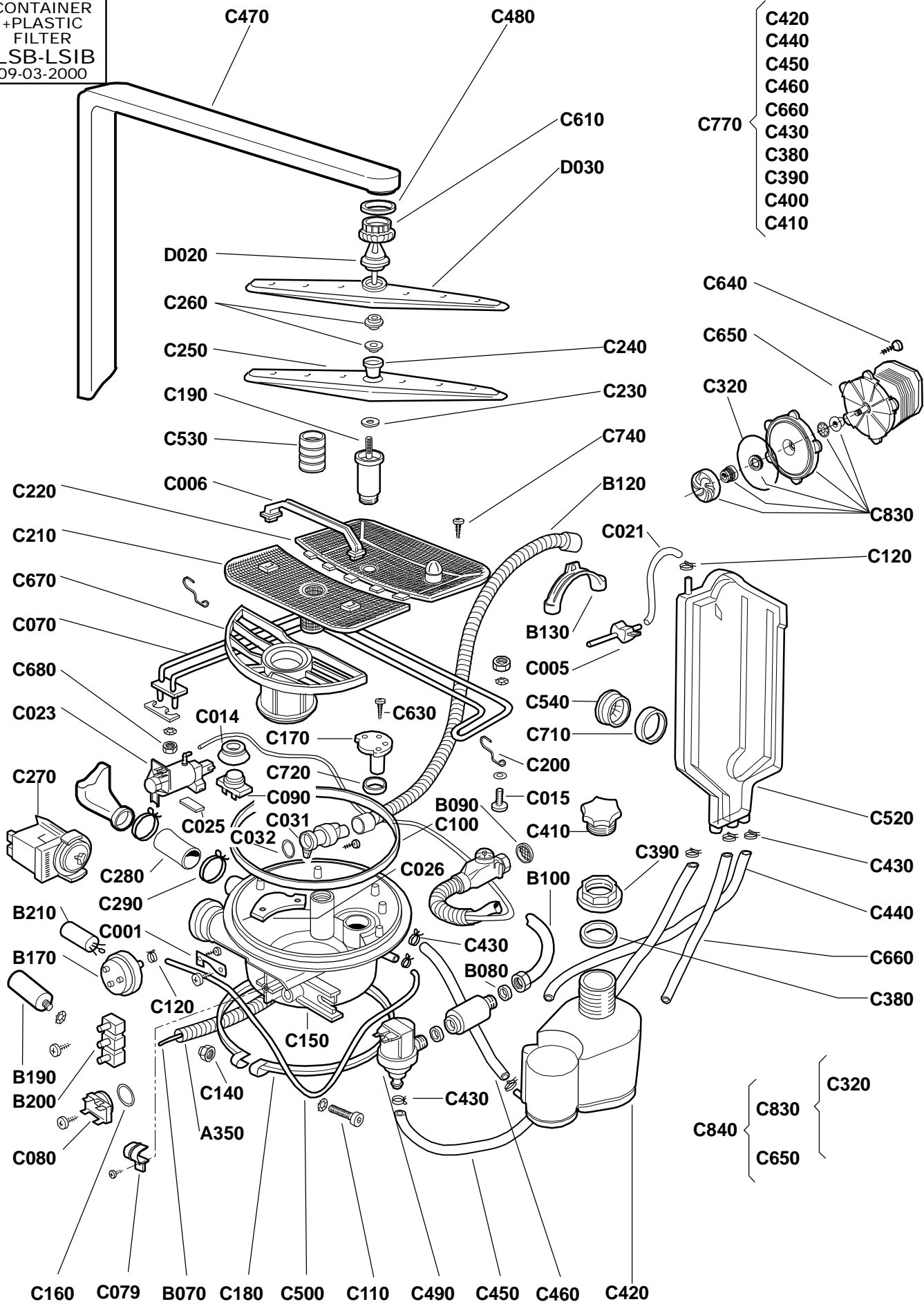
999016427  
FRONTAL.BG 3P3L  
LSB  
20-10-'98



999016409  
 CABINET+TUB  
 LSB  
 03-07-2000



999016412  
 SUMP+SALT  
 CONTAINER  
 +PLASTIC  
 FILTER  
 LSB-LSIB  
 09-03-2000



999016415  
BASKET  
LSB-LSIB  
20-10-'98

