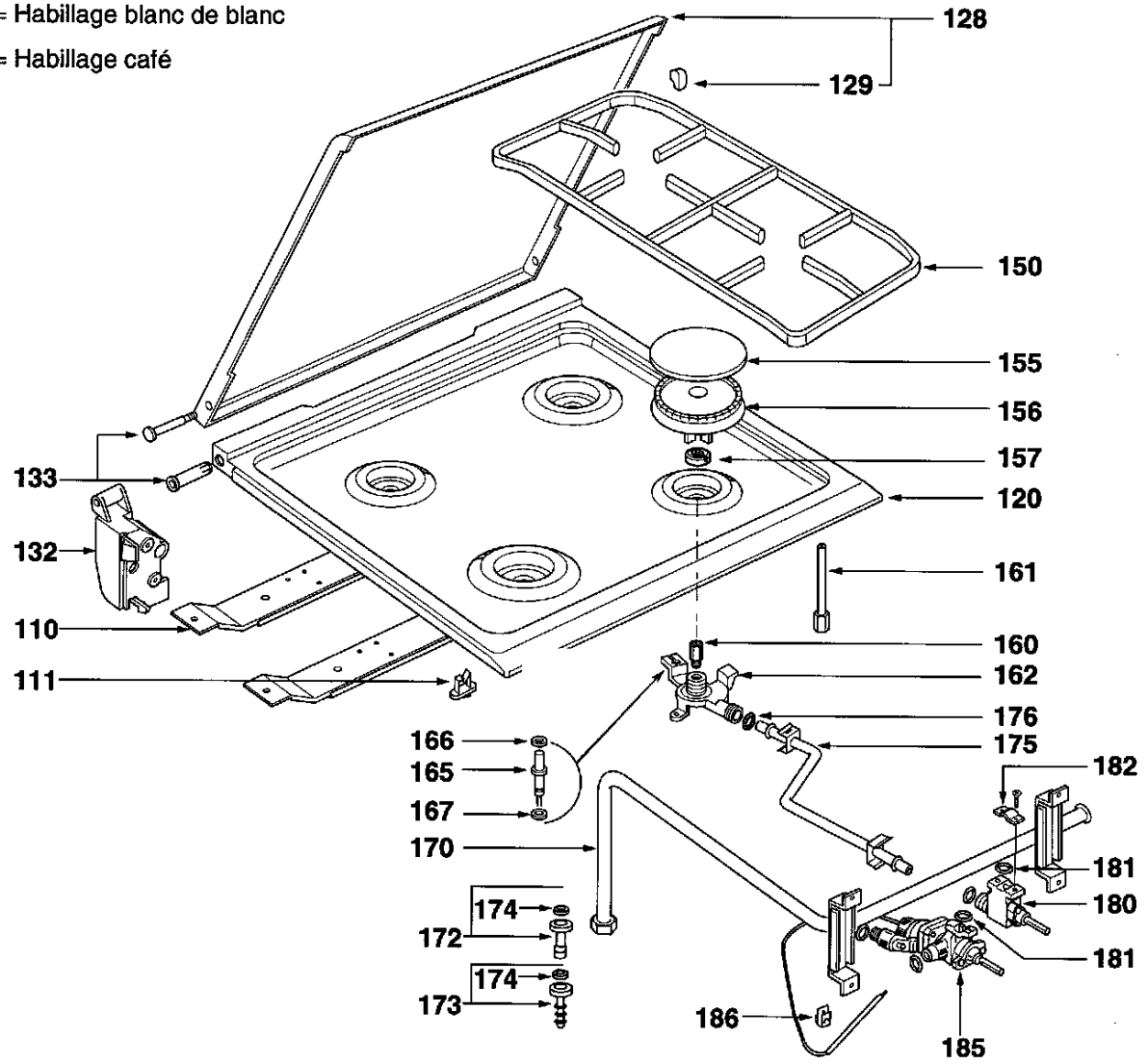


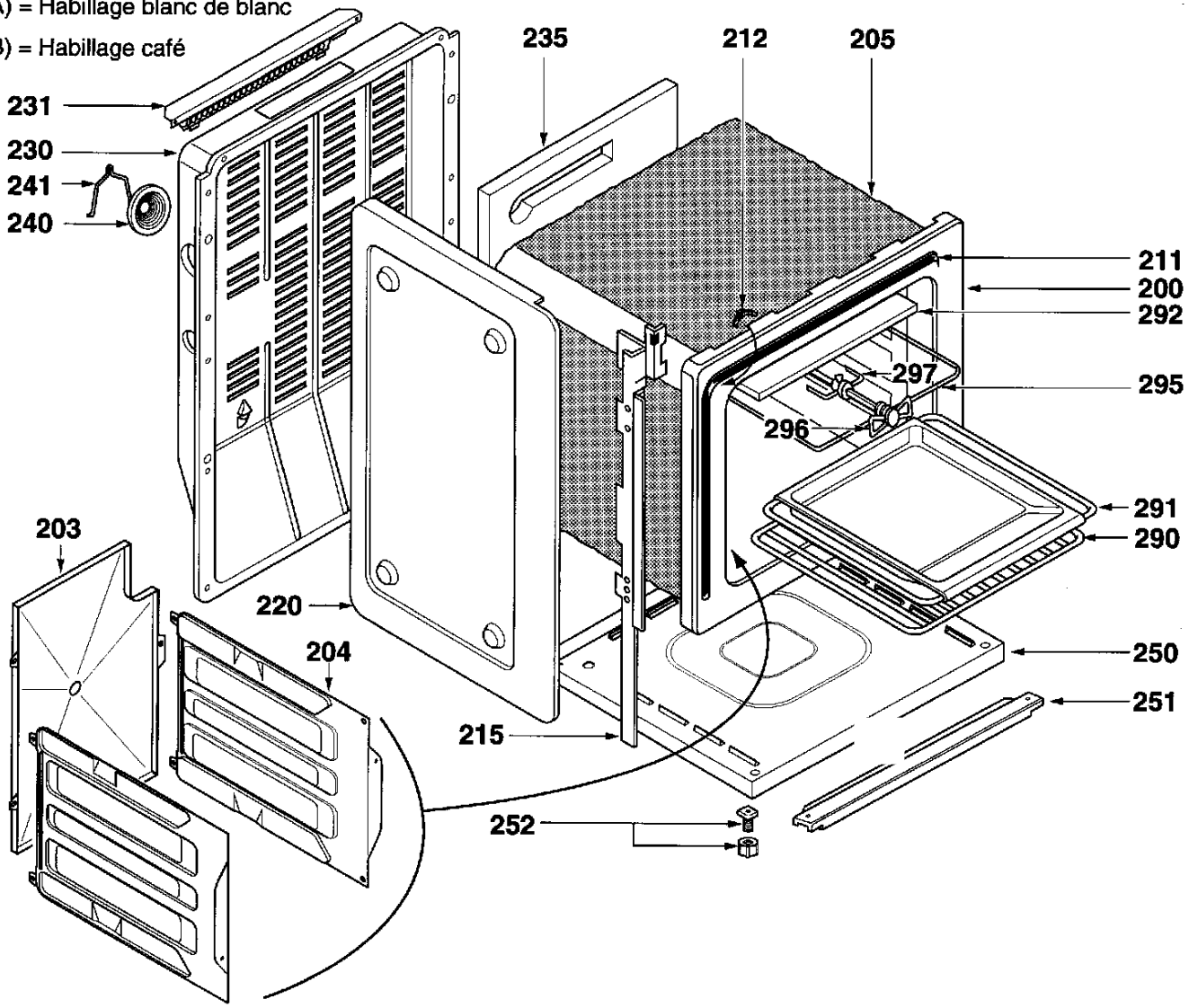
(A) = Habillage blanc de blanc

(B) = Habillage café



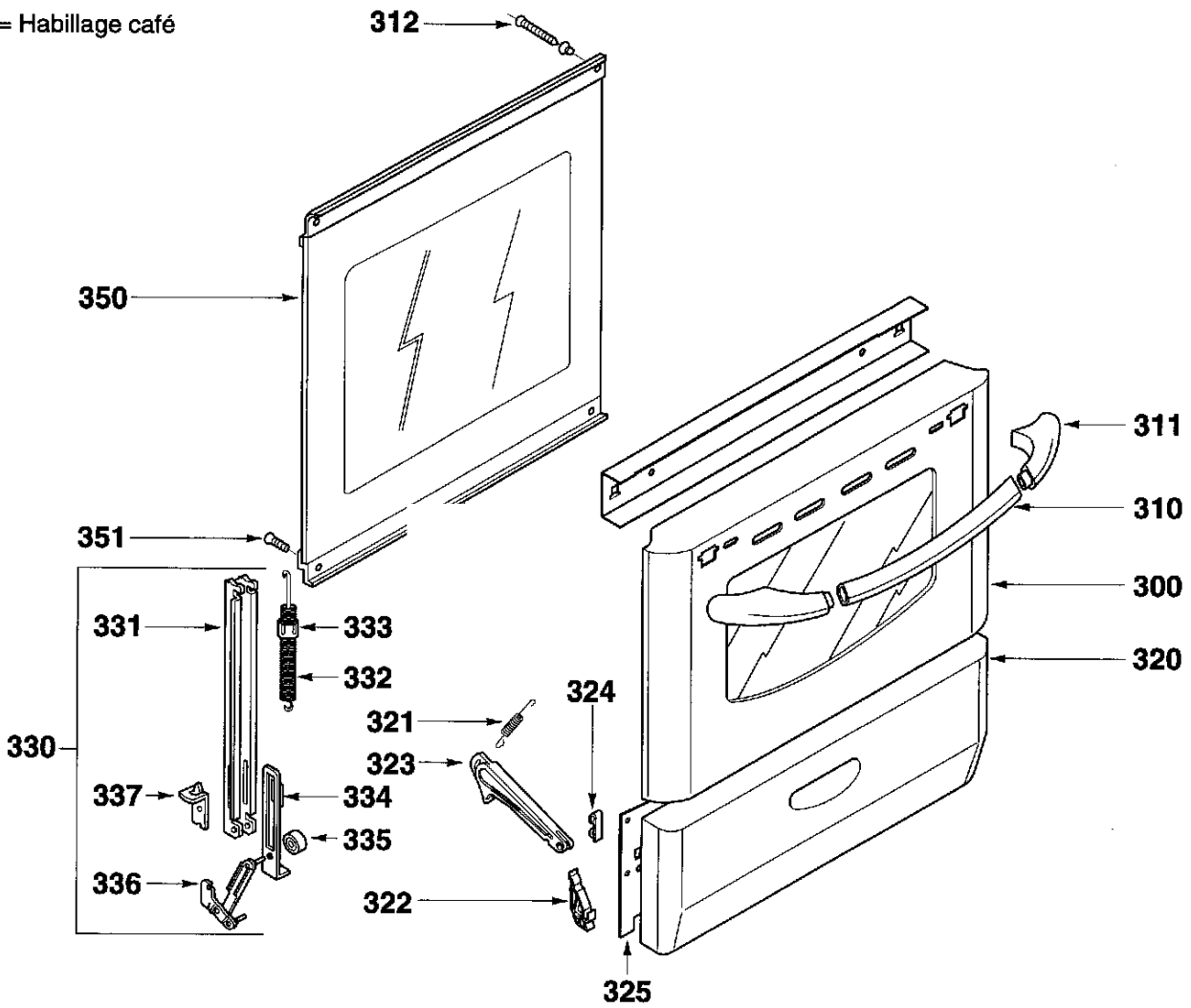
(A) = Habillage blanc de blanc

(B) = Habillage café



(A) = Habillage blanc de blanc

(B) = Habillage café



(A) = Habillage blanc de blanc

(B) = Habillage café

