

214A

2

214

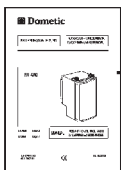
56

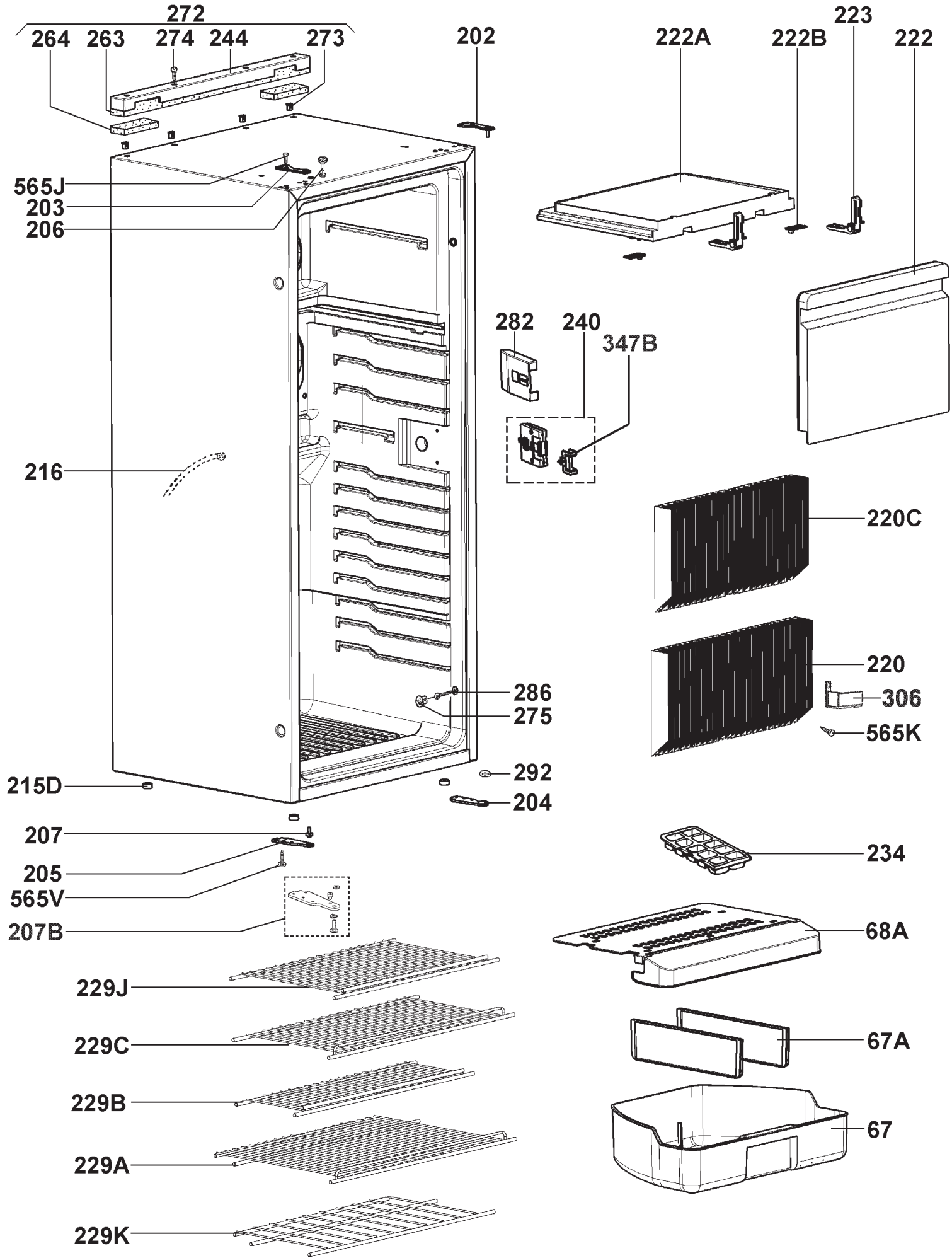
7

3

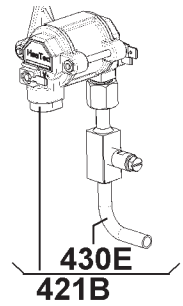
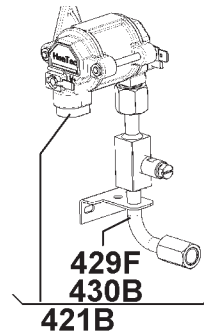
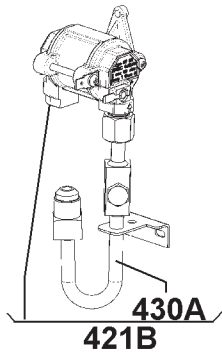
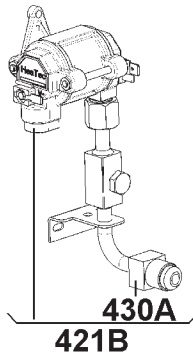
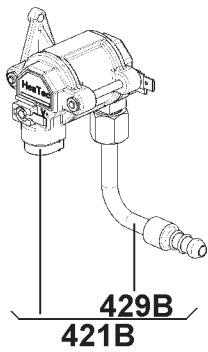
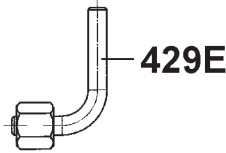
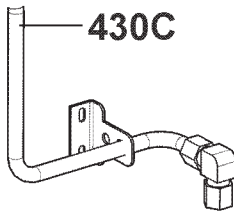
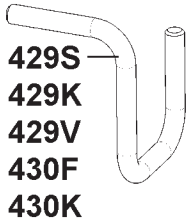
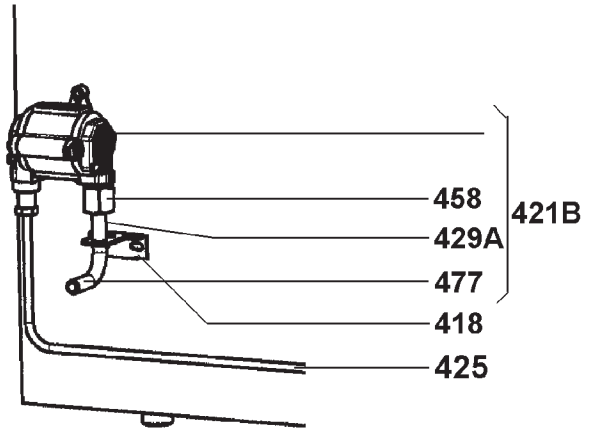
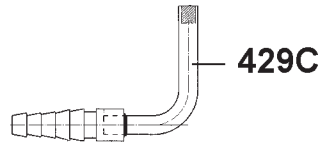
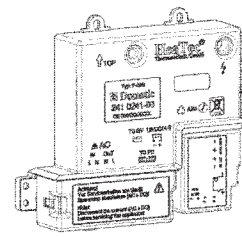
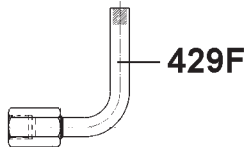
99

4

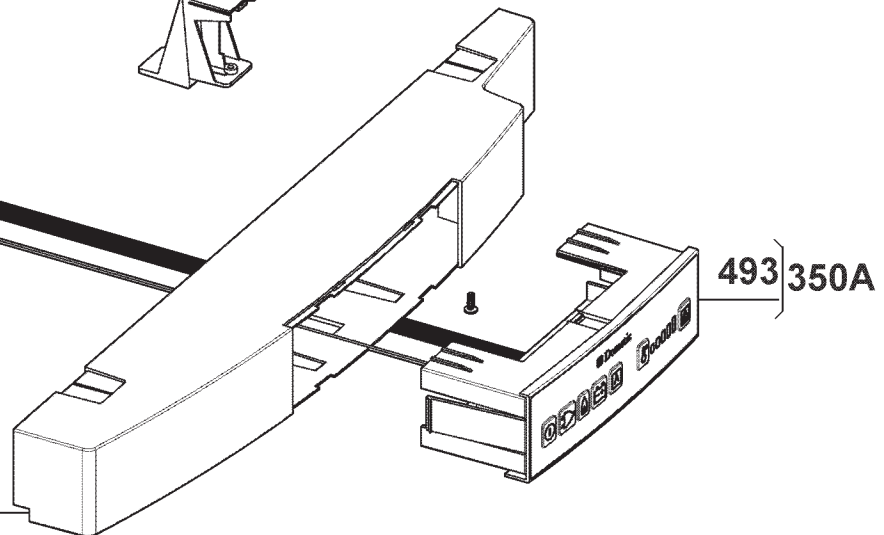
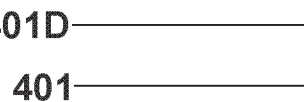
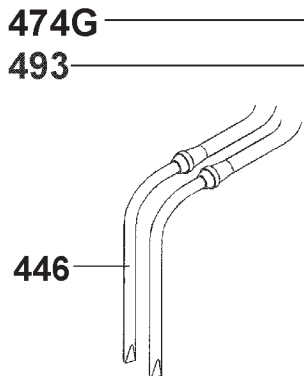
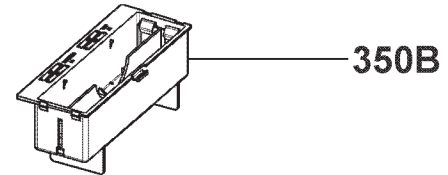
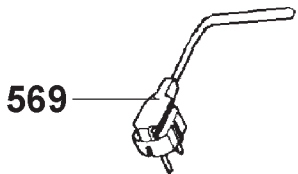


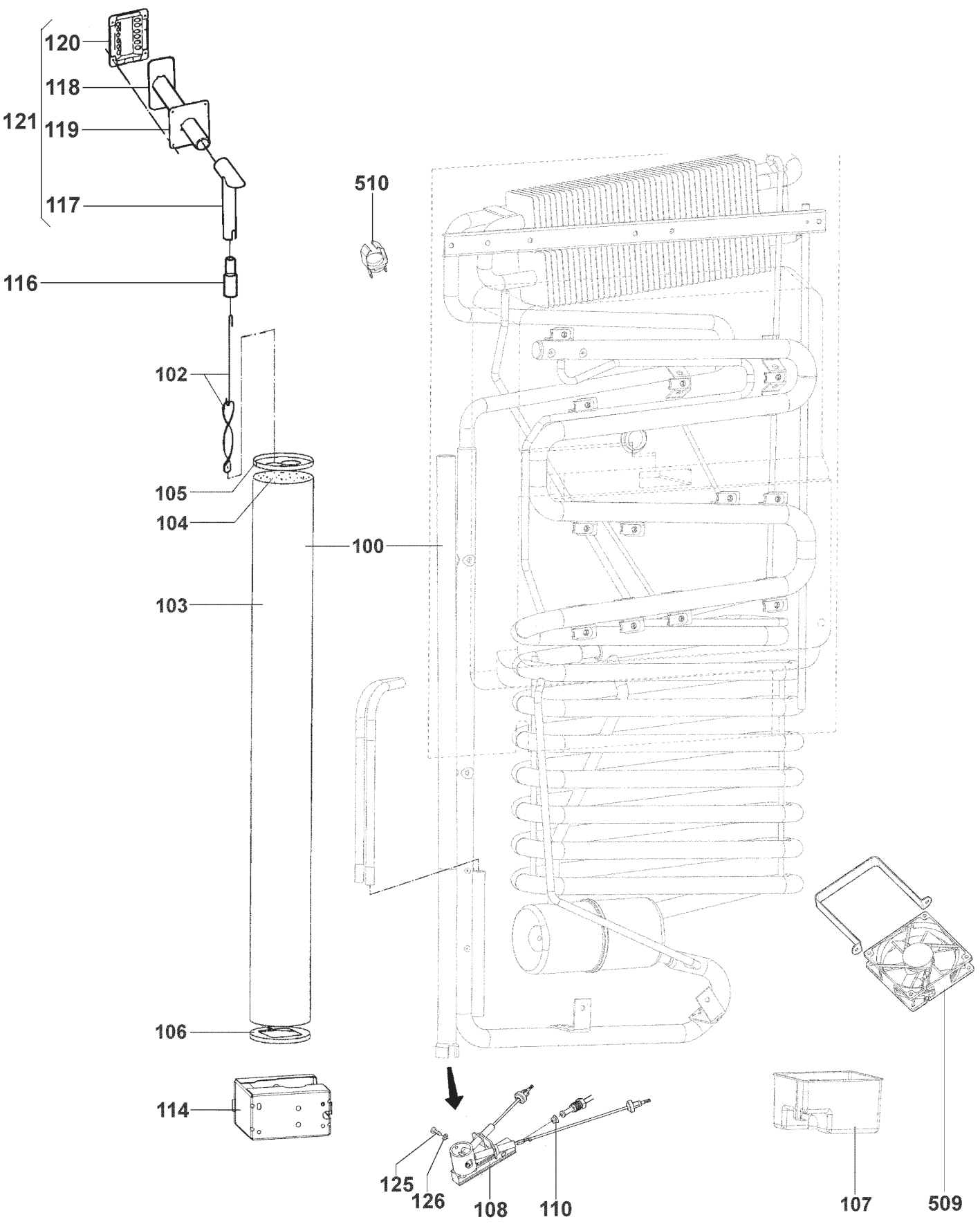


**GASARMATUR
GAS EQUIPMENT**



**ELEKTROARMATUR
ELECTRO EQUIPMENT**





120

118

121

119

117

116

102

105

104

510

100

103

106

114

125

126

108

110

107

509