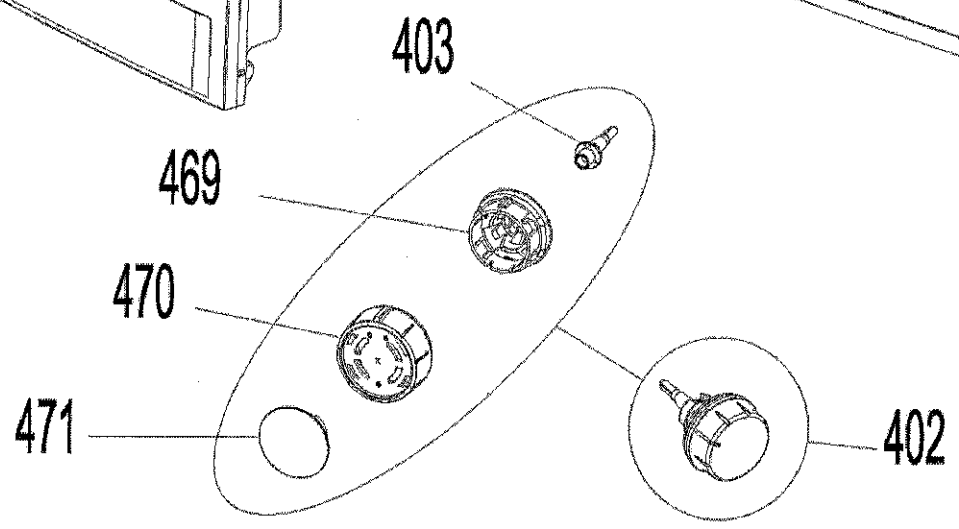
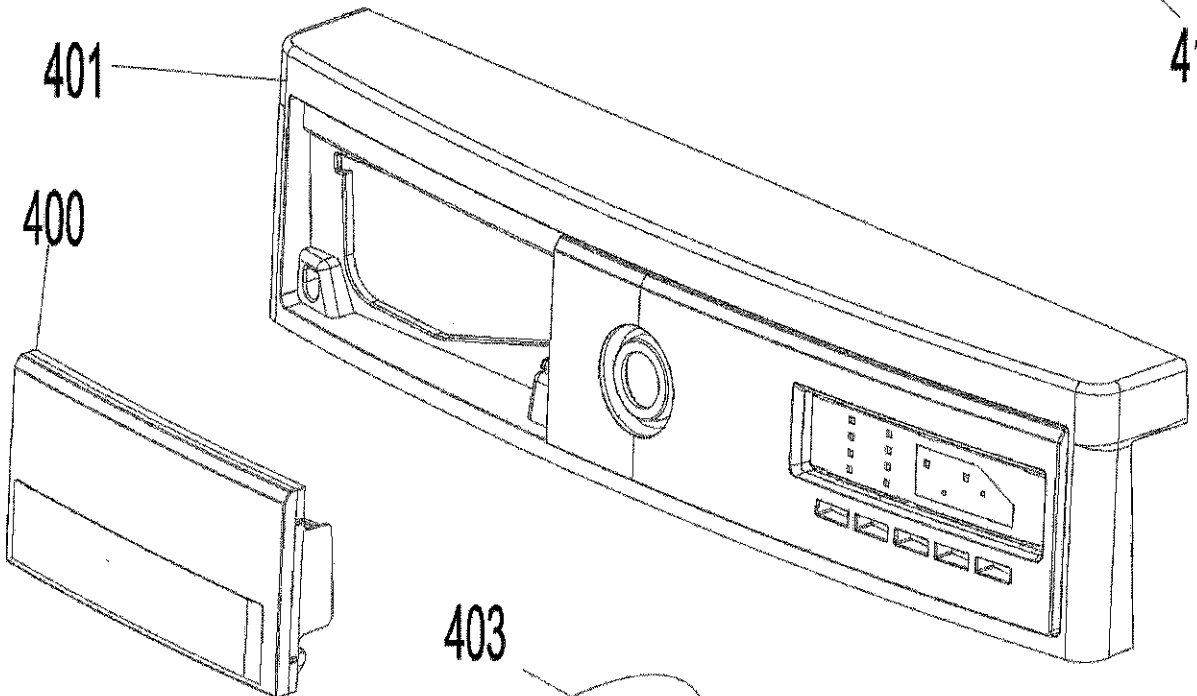
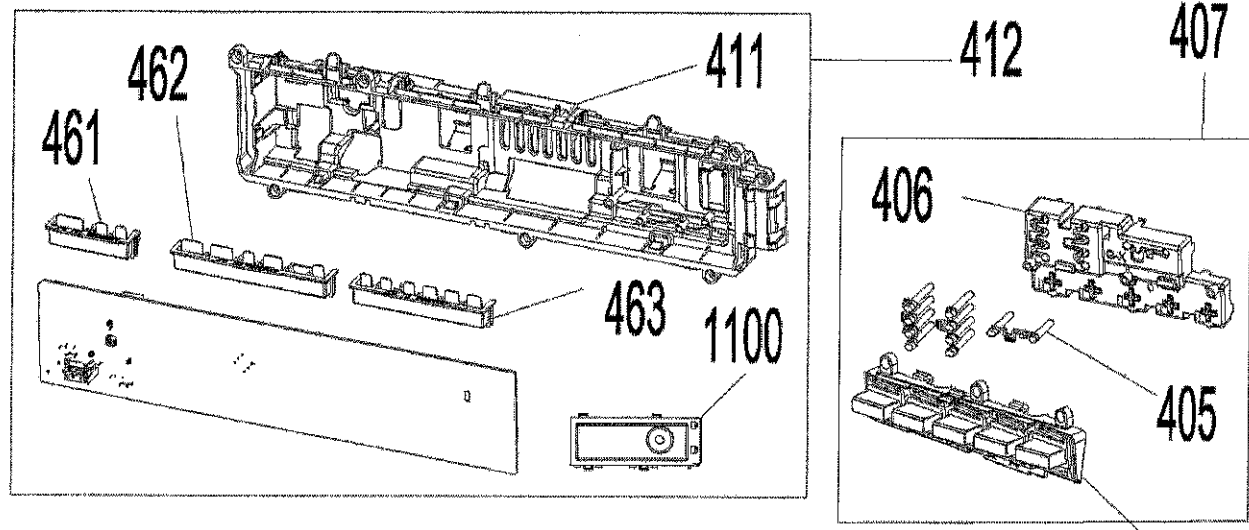
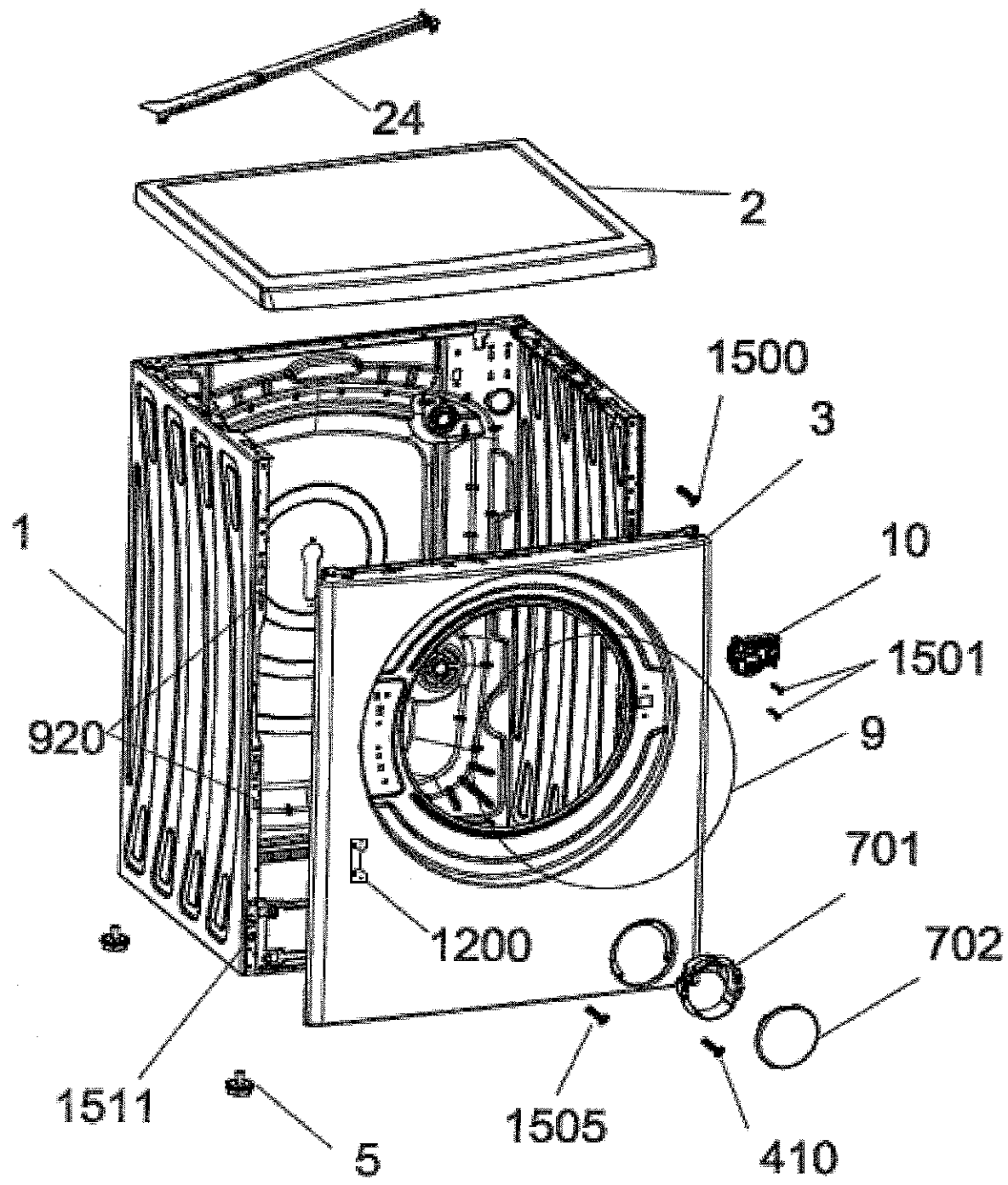


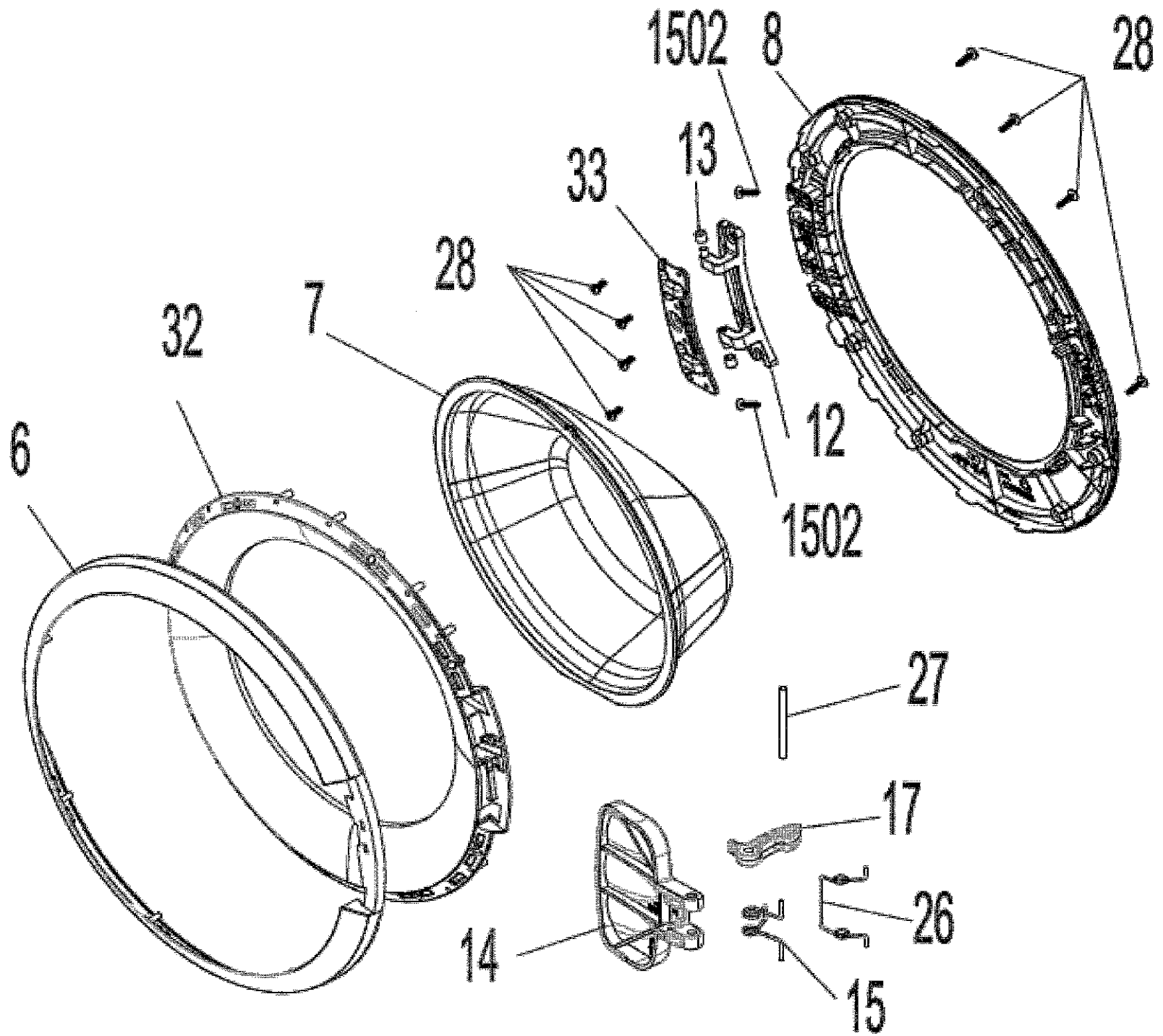
1. CONTROL PANEL PARTS



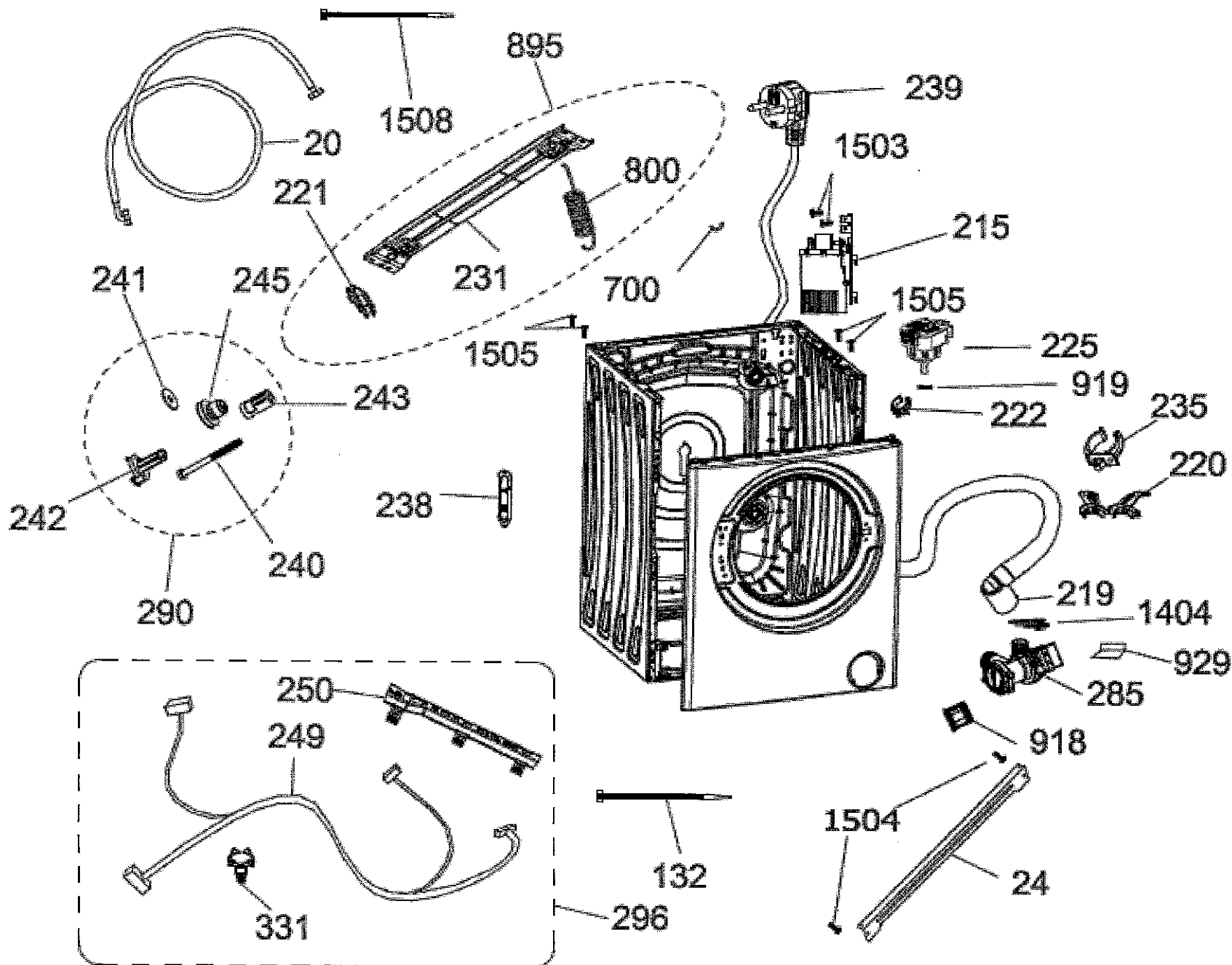
2. FRONT PANEL PARTS



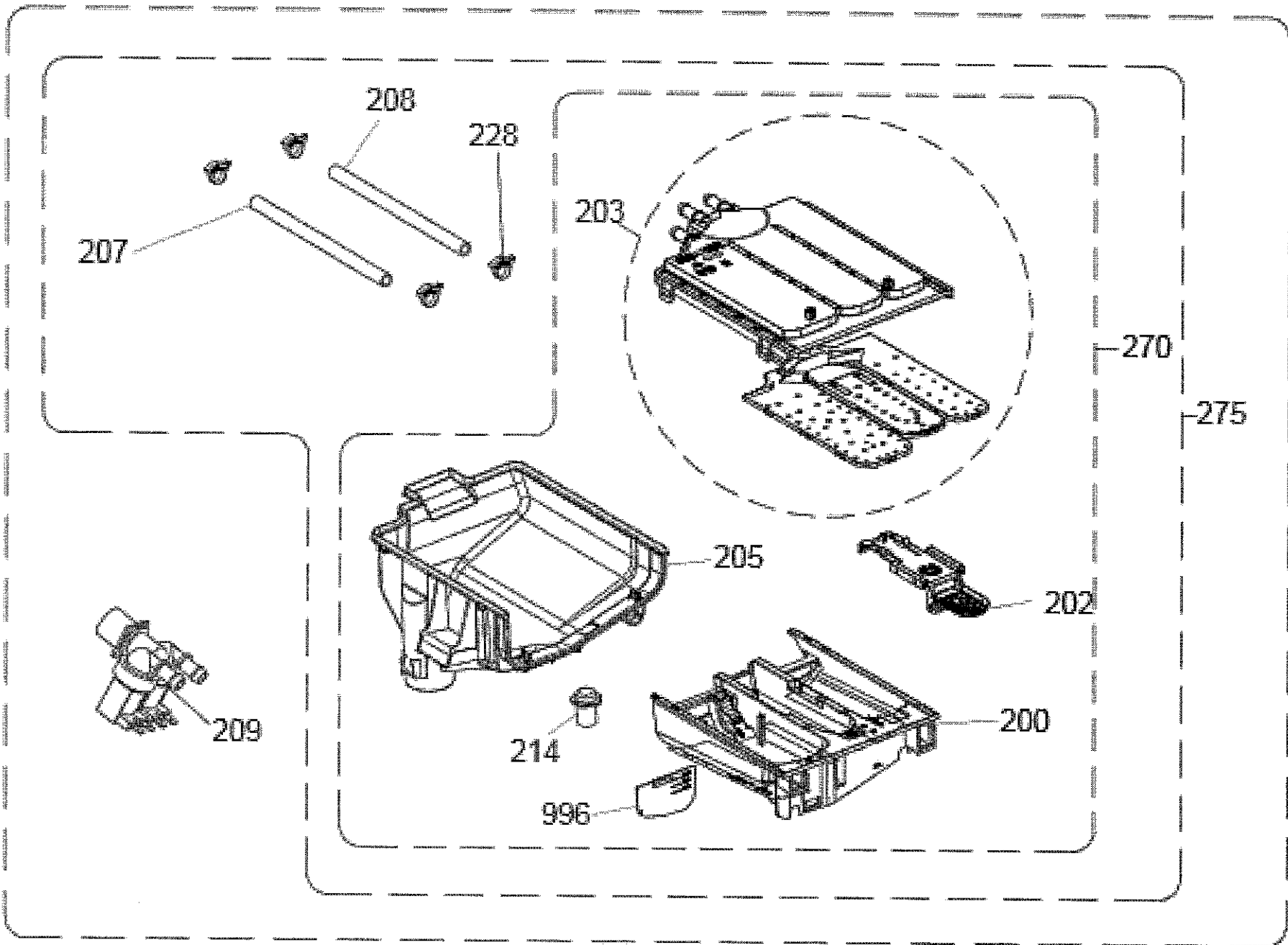
7. DOOR GROUP



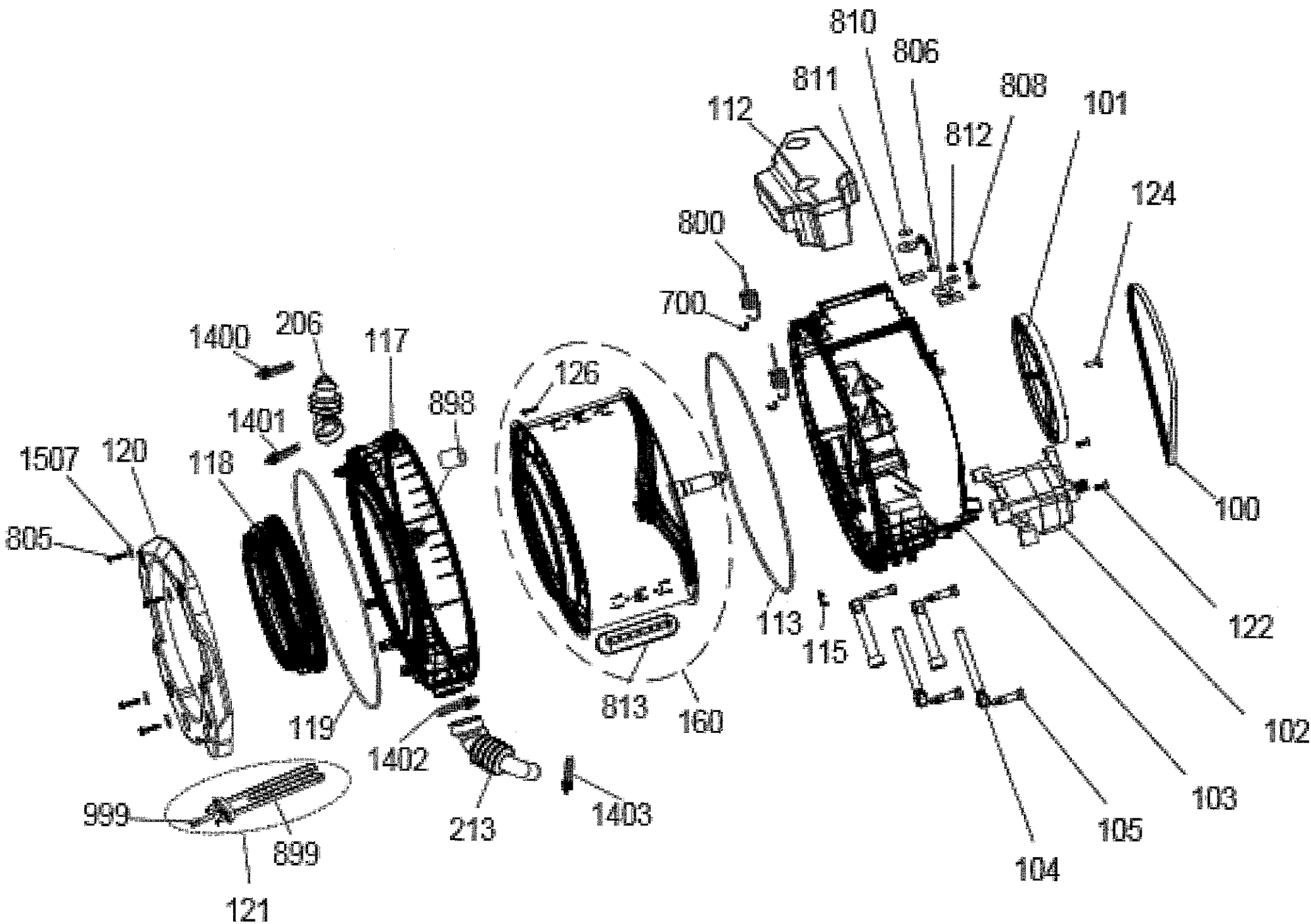
6. BODY GROUP PARTS



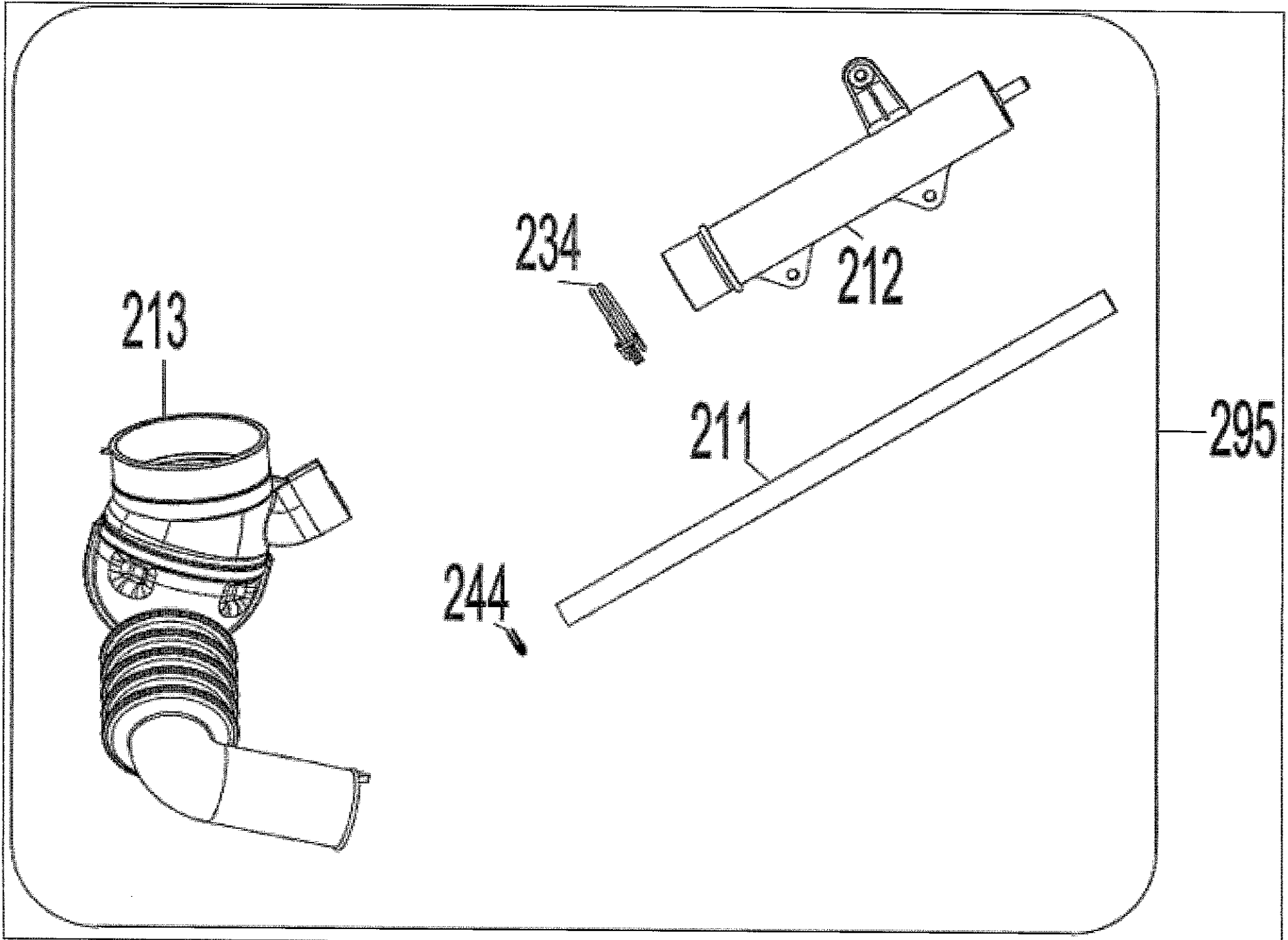
4.DETERGENT DRAWER GROUP



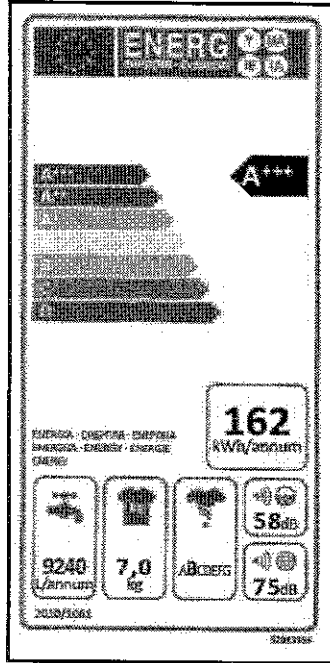
3. WASHING GROUP PARTS



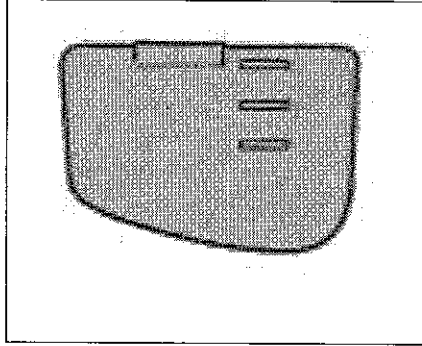
5. PRESSURE SWITCH HOSE GROUP



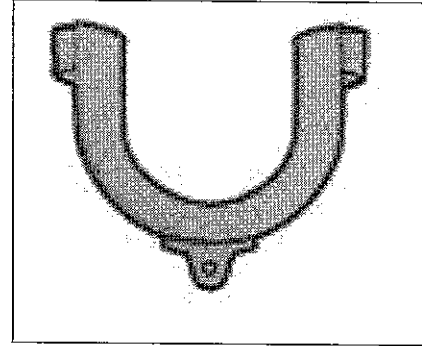
ACCESSORIES



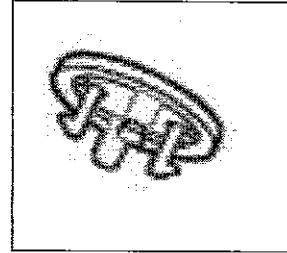
995



996



997



998