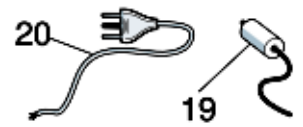
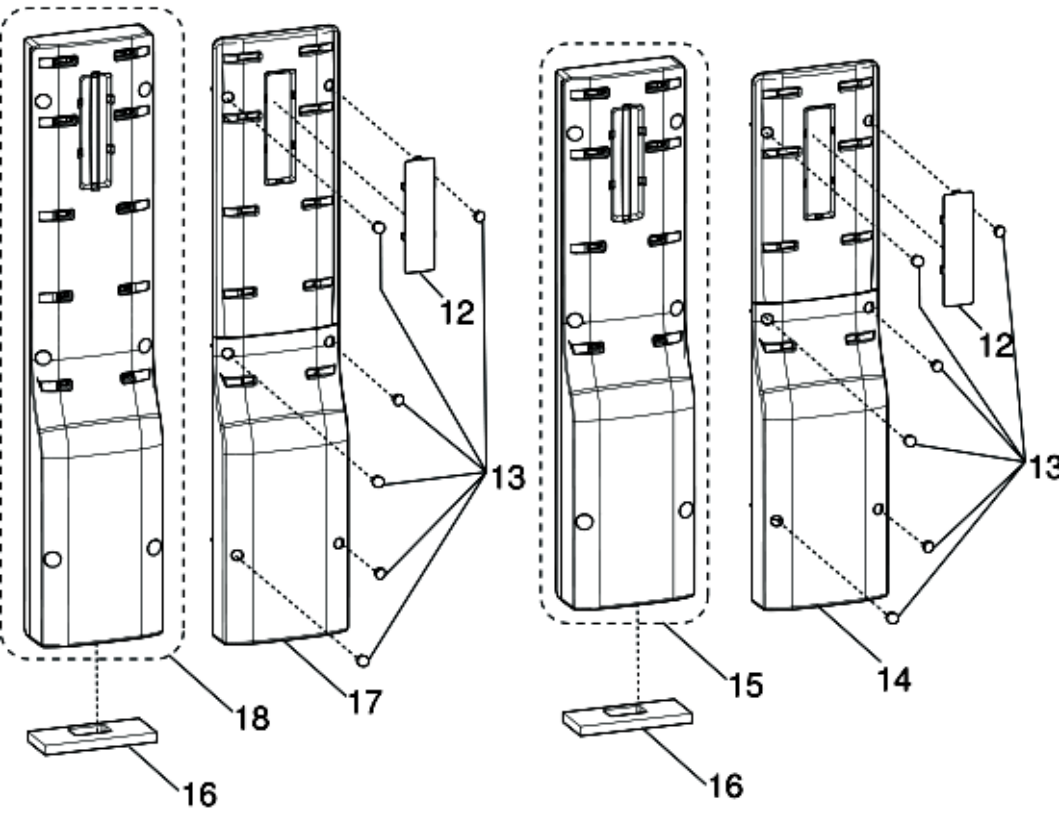
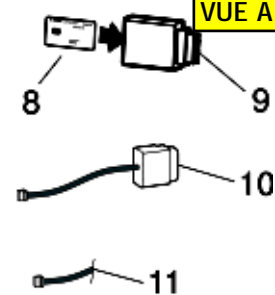
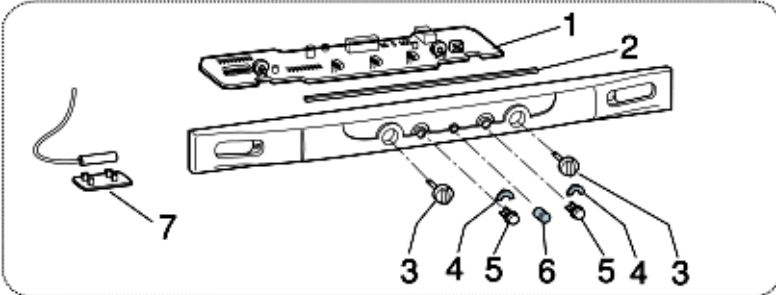


VUE A



Total quantity of shelves depends on the height of appliances

186cm=5

187cm=4

175cm=3

