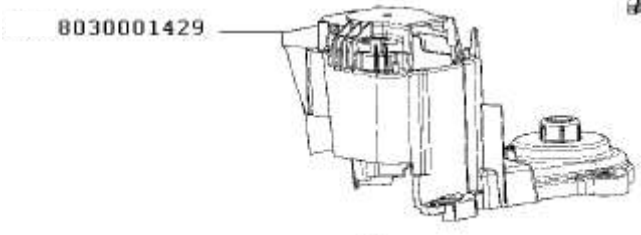
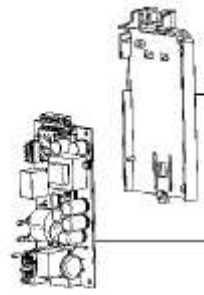




·8030001434
·8030001437
·8030001435
·8030001436



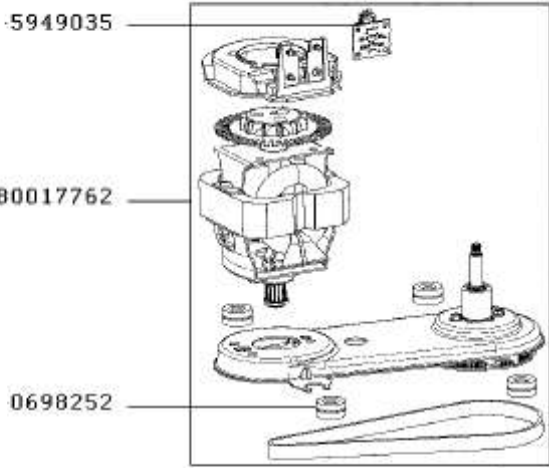
8030001429



·8030001431
·8030001430



·0A19122



·5949035

8080017762



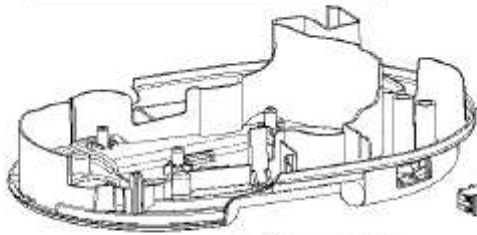
·0A19132



0698252



·8030001432

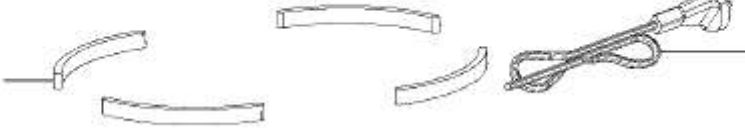


·4A19371



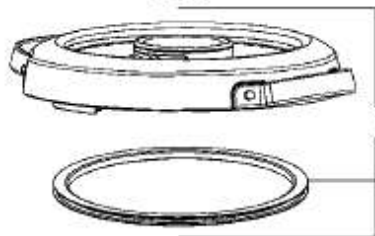
·0A19135

0A08112



·8030001433

8030001552



8030001551

0A19114

XF38CE10



0A19157

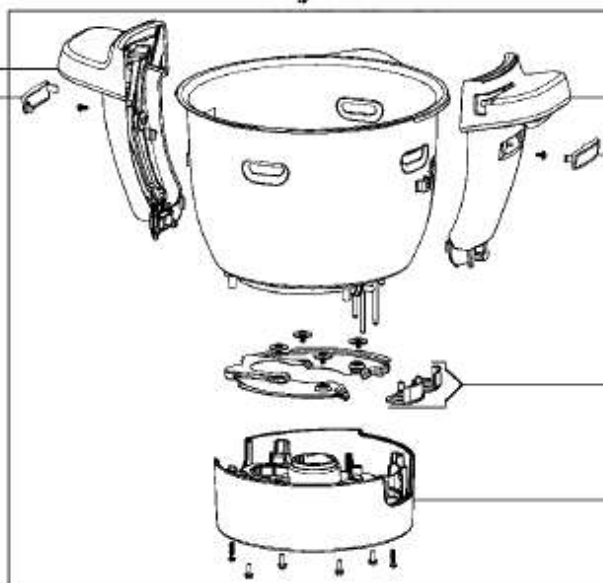
8030000417



7232601568

8080017771

8080017297



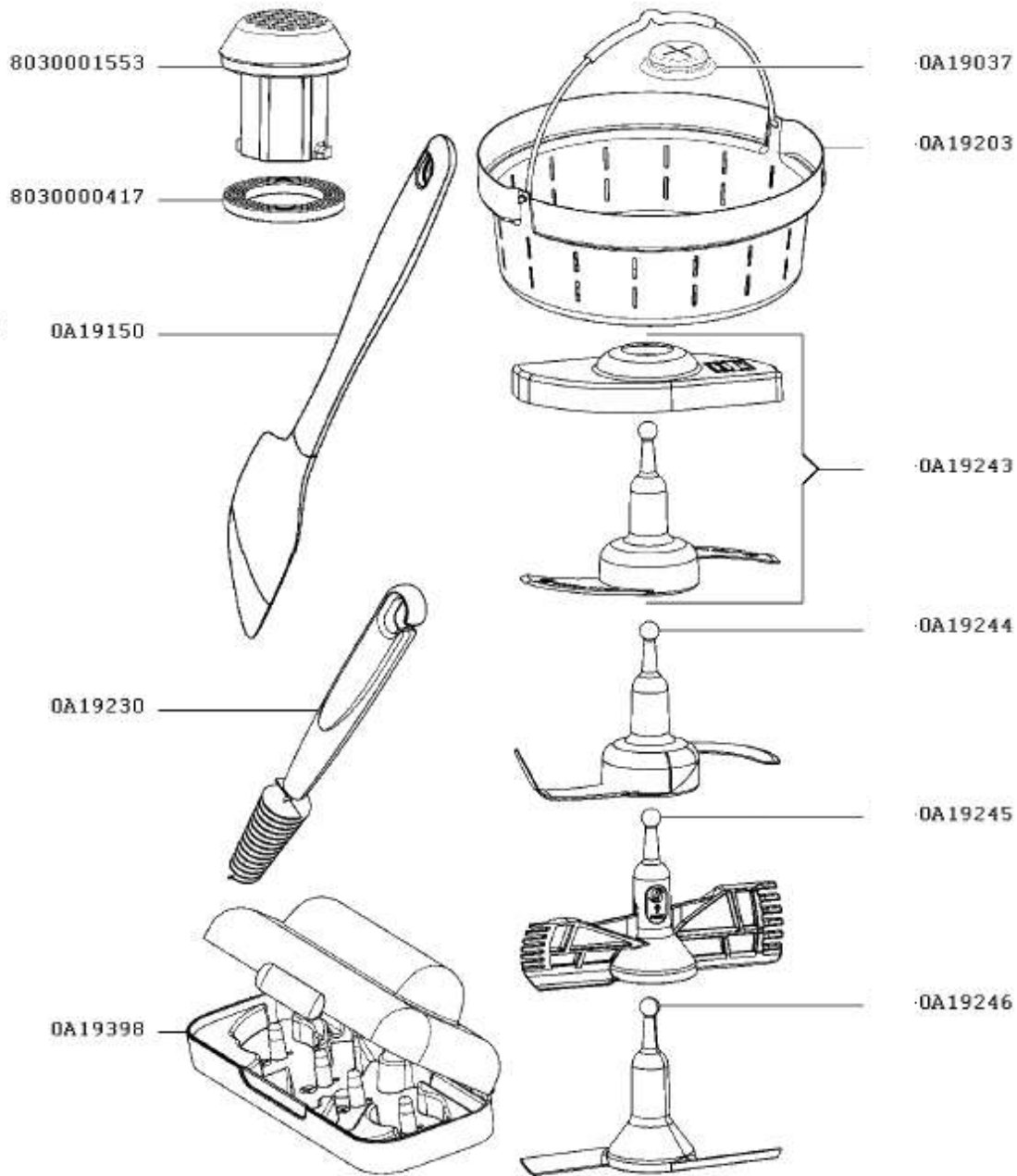
8080017295

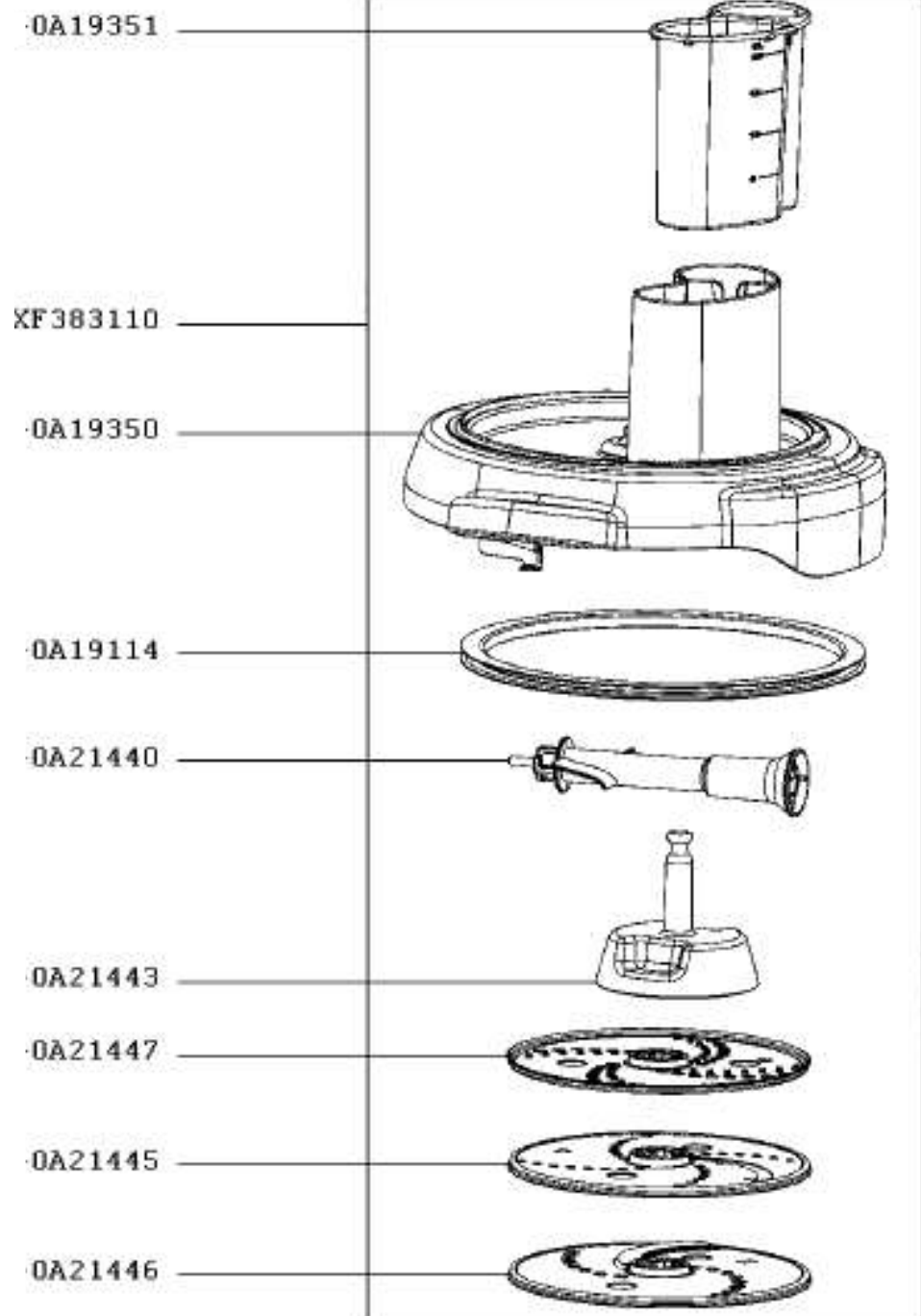
8080017297

8030000400

0A19025

8030000307





OPTION



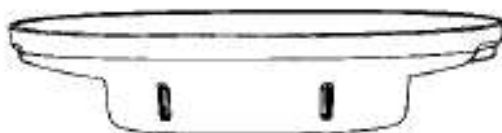
0A19336



0A19337

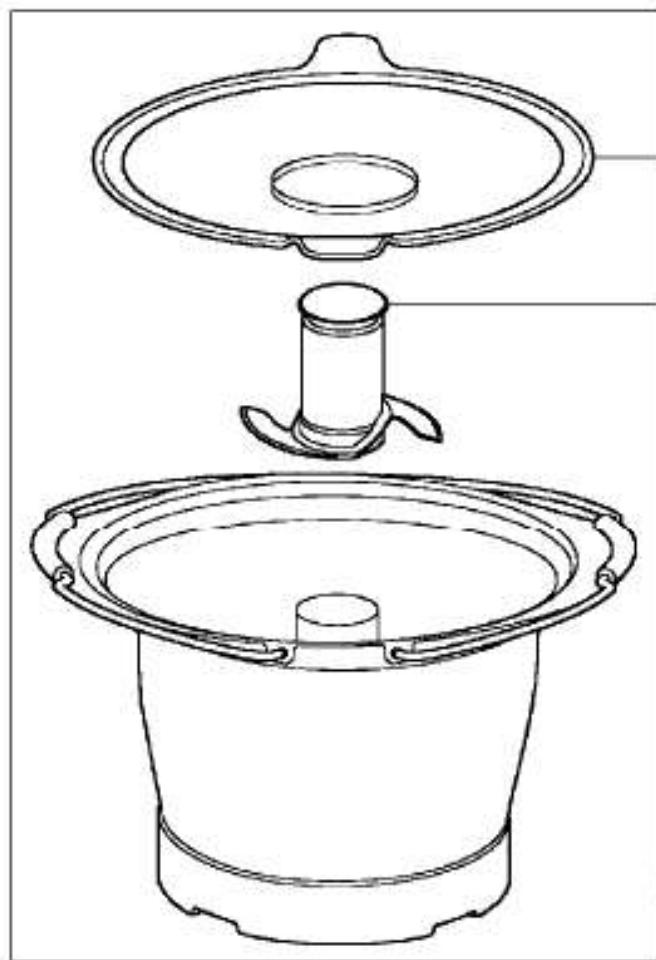


0A19338



0A19339

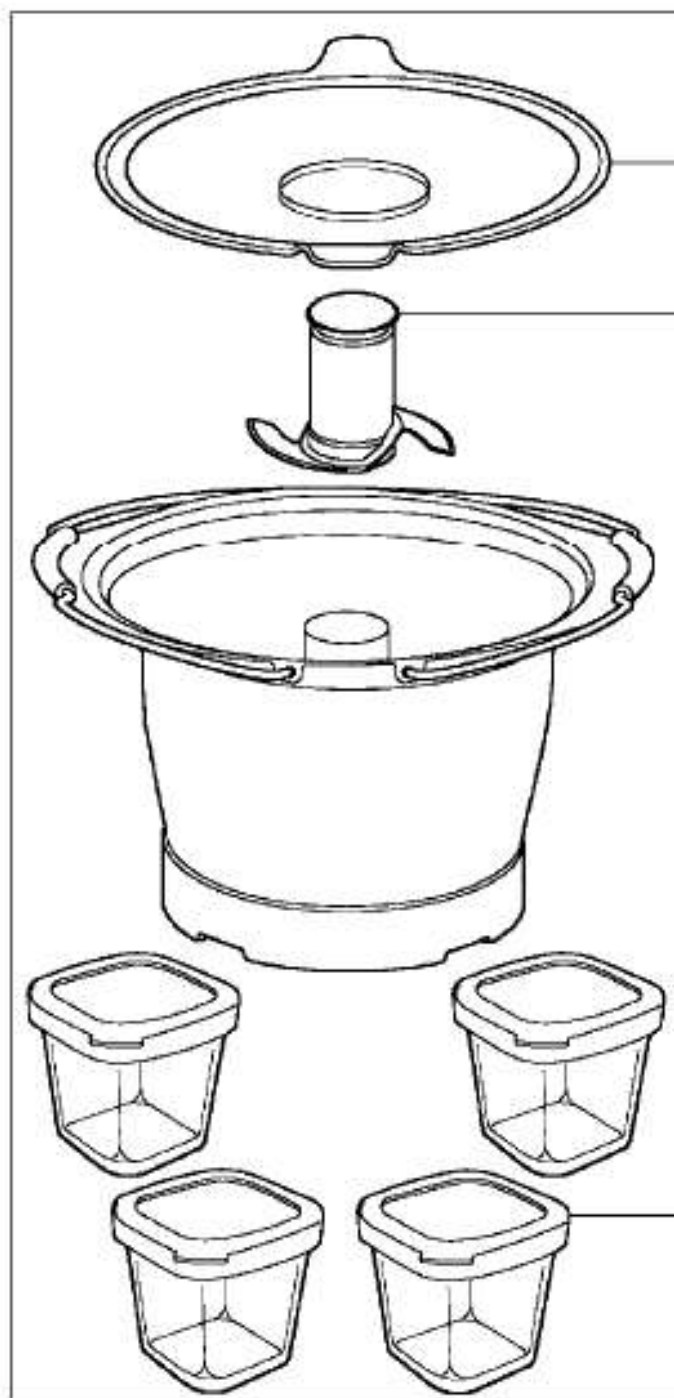
OPTION



8030000309

8030000310

OPTION



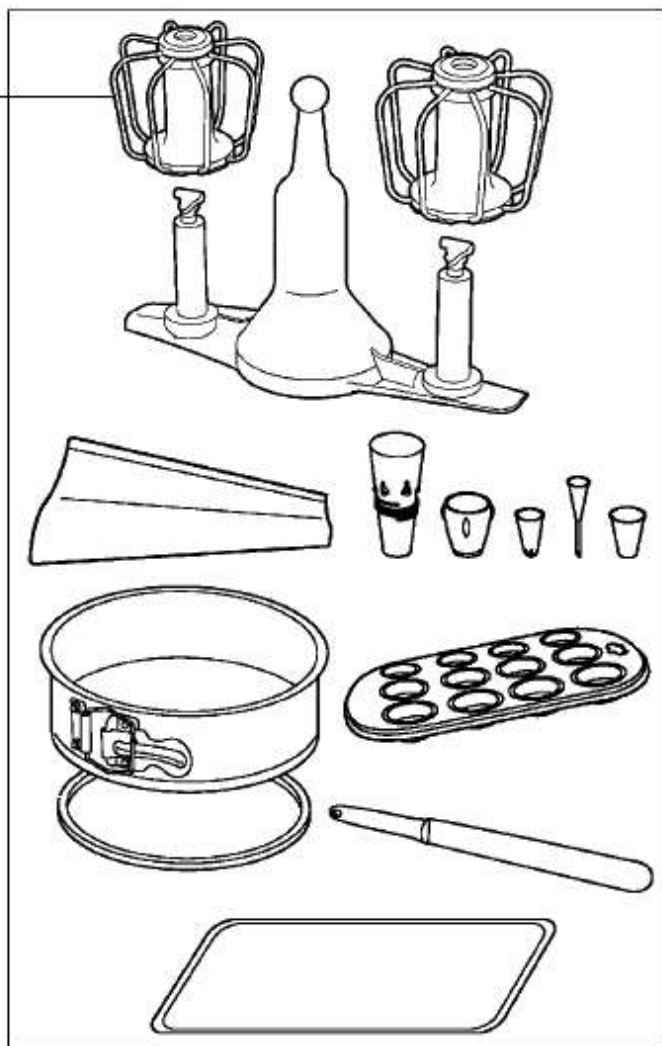
8030000309

8030000310

193386

OPTION

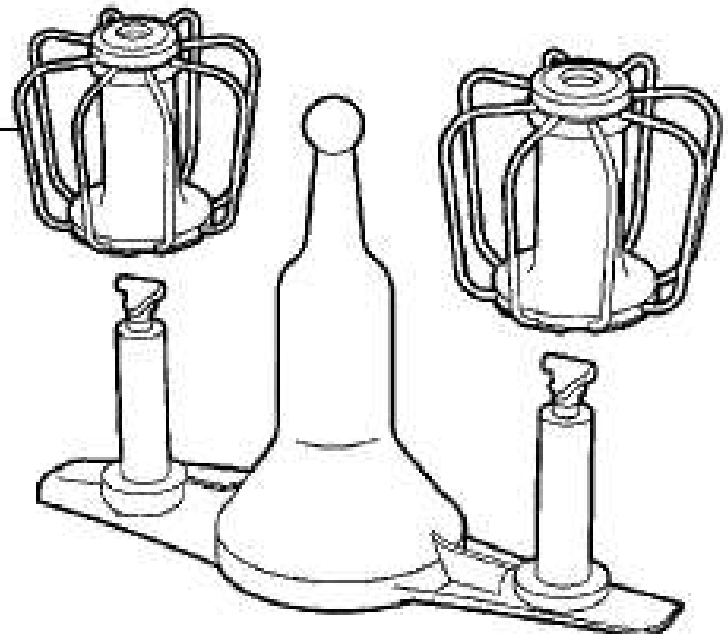
8030000889



HF938E00/702
1550W

OPTION

8030000889



XF38E100

