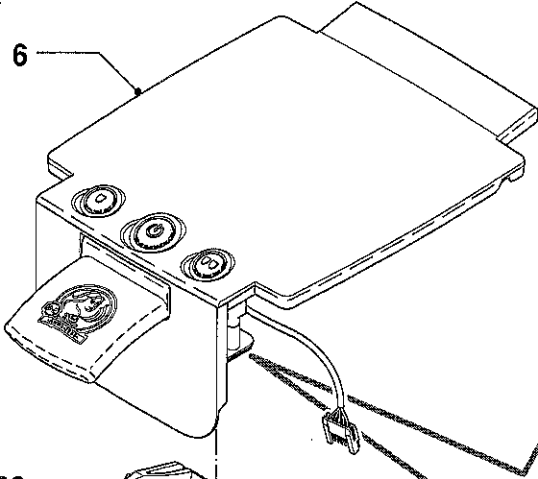
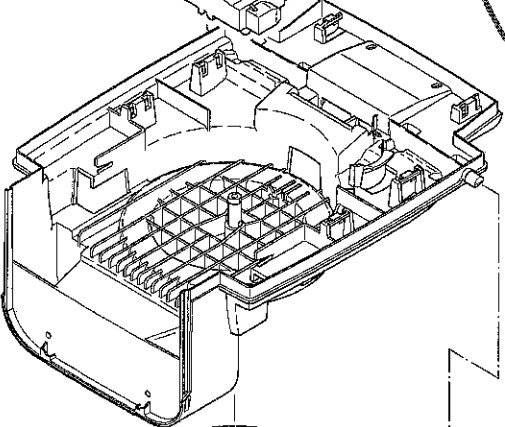
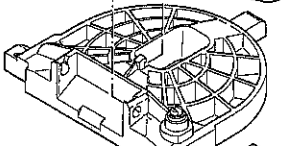


6

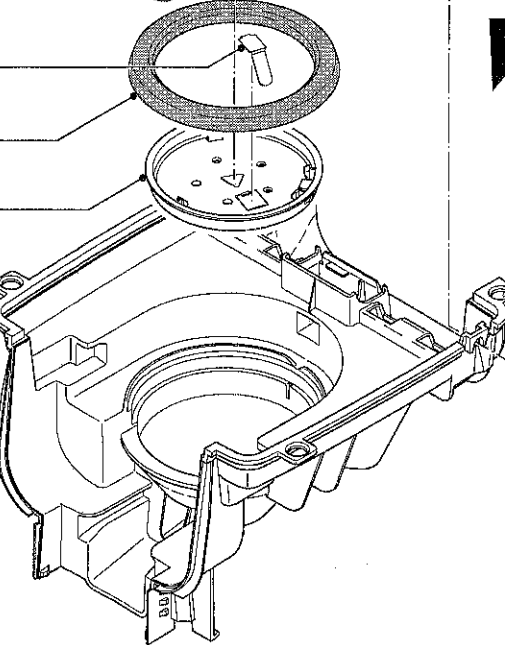


29

7



33



8

9

10



Always exchange the whole lid-button assy 6.  
 Never unscrew the screws D which are holding the  
 button case assy.  
 When you do so the button case will not be air-tight  
 anymore which can result in steam/water leakage.  
 This will cause that the button assy PCB will malfunction  
 after some use!

