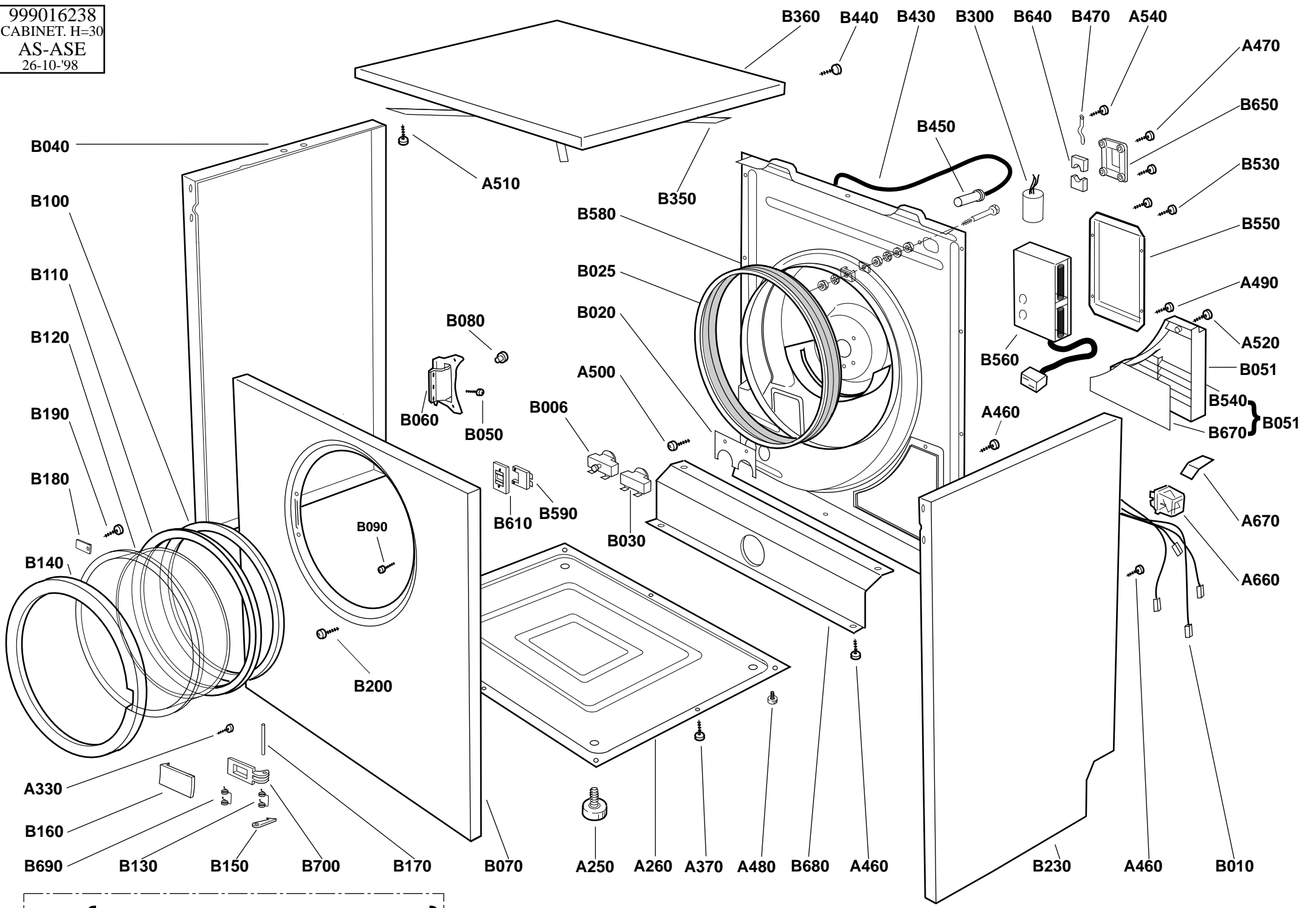
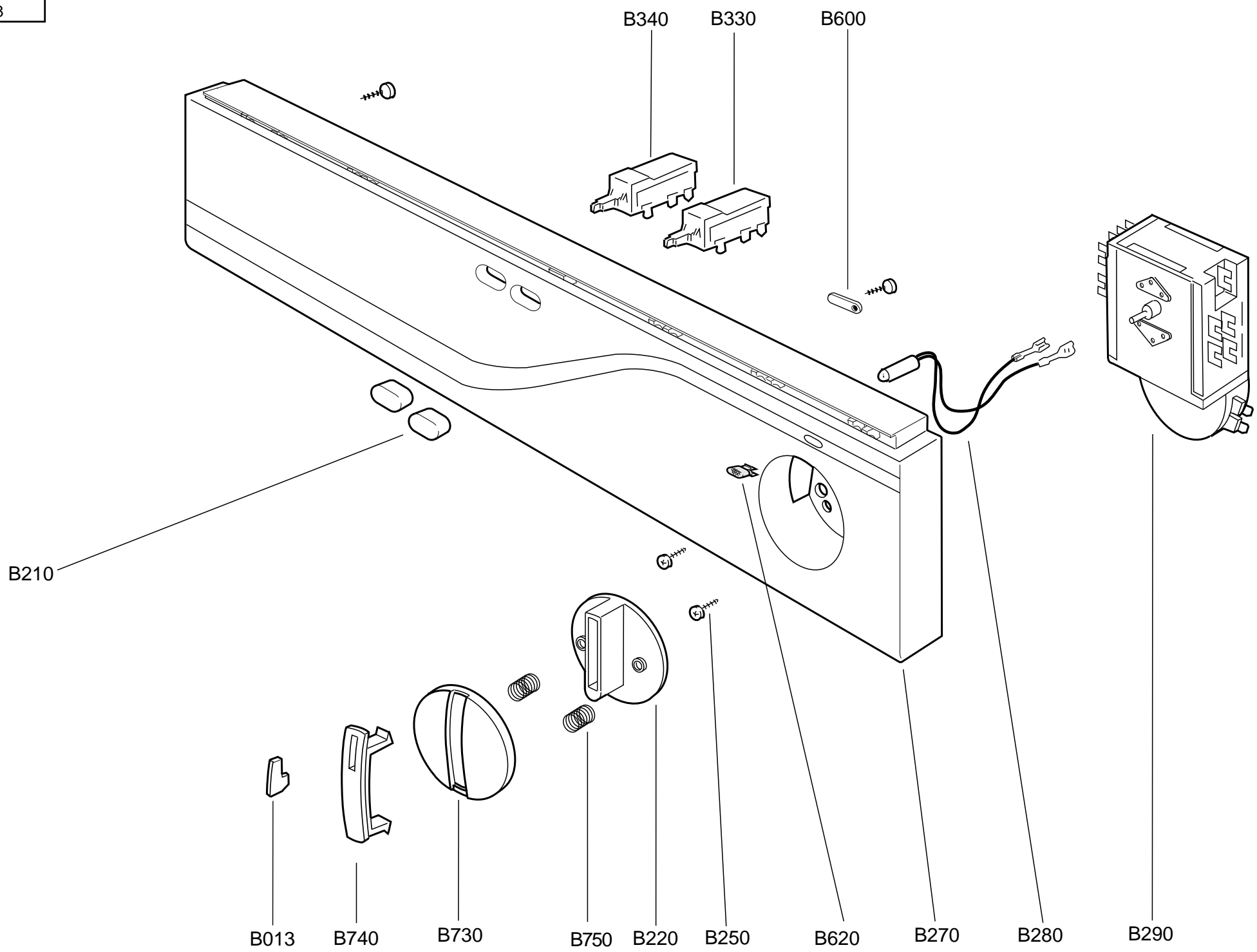


999016238
 CABINET, H=30
 AS-ASE
 26-10-'98



B710= { B 130 - B 150 - B 160 - B 170 - B 690 - B 700 }

999016243
FRONTAL.AD 2P 1L
AS-ASE
26-10-'98



999016240
DRYING GROUP
ASE
26-10-'98

