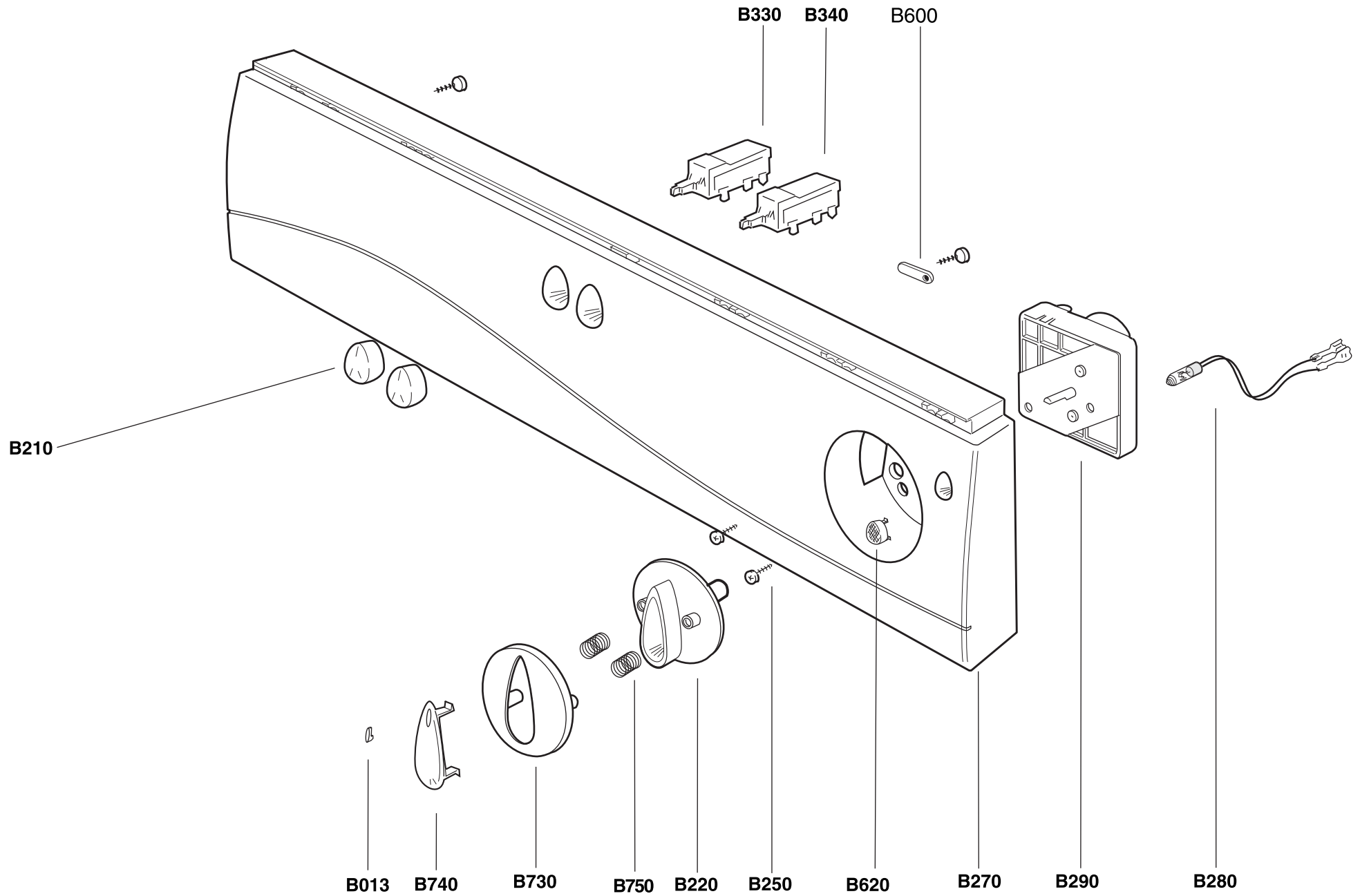
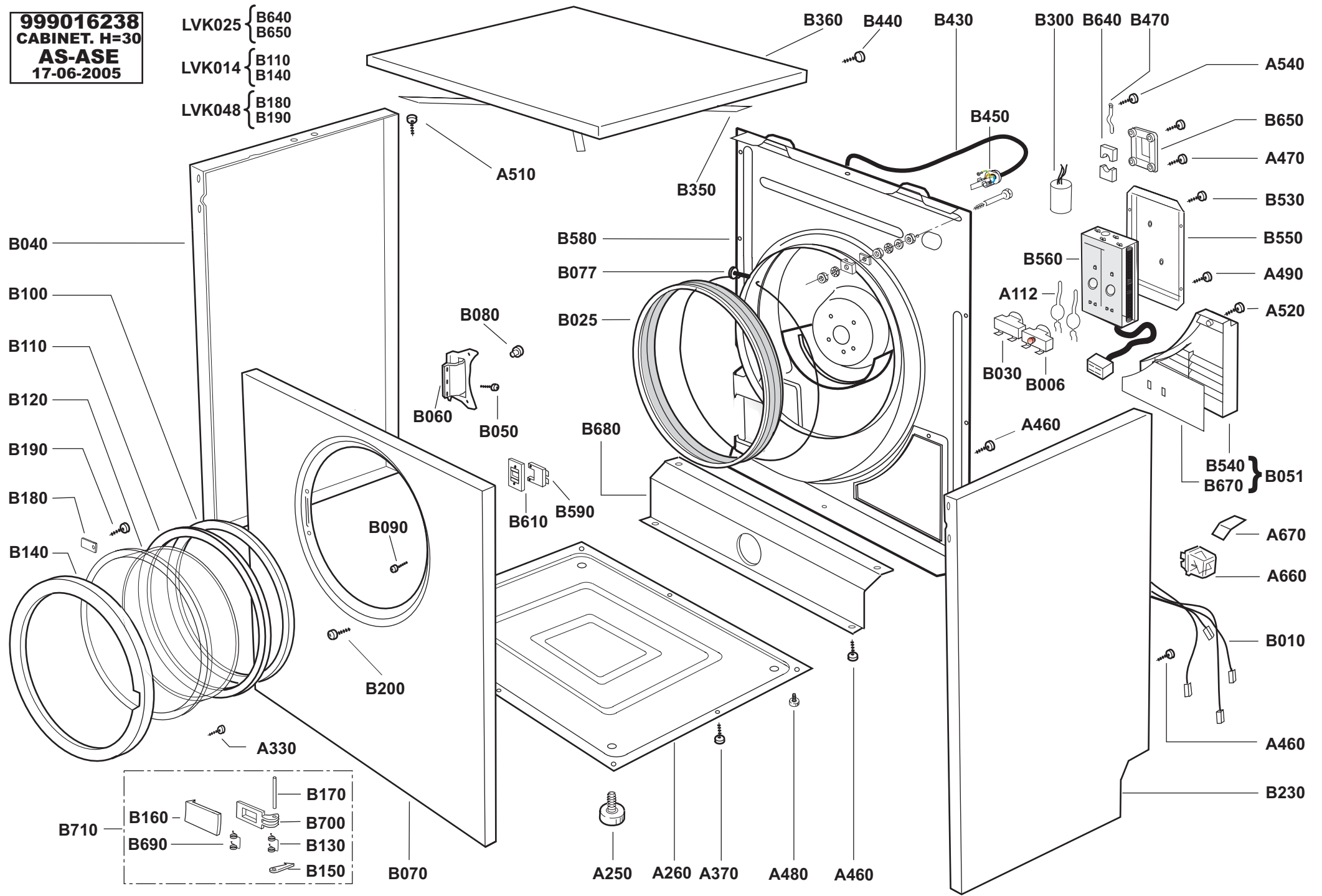


999016249
FRONTAL.AP 2P
1L
AS-ASE
26-10-'98



999016238
CABINET. H=30
AS-ASE
17-06-2005

- LVK025 { B640
B650
- LVK014 { B110
B140
- LVK048 { B180
B190



999016240
DRYING GROUP
ASE
26-10-'98

