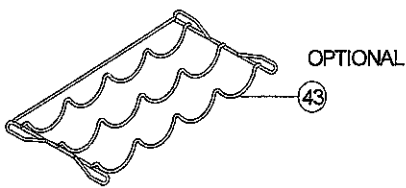
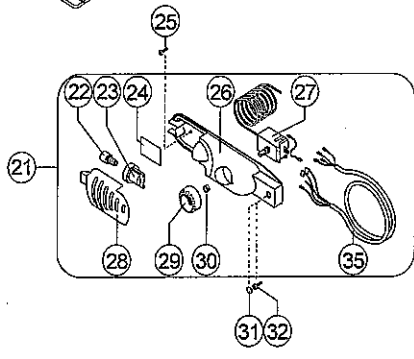
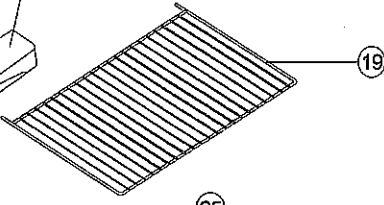
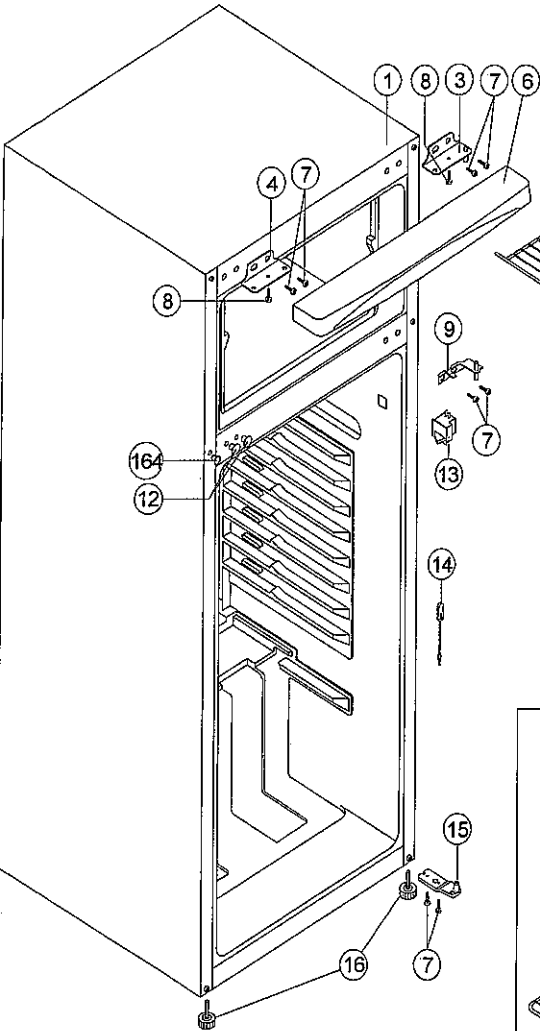
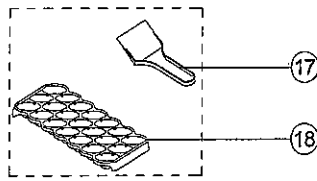
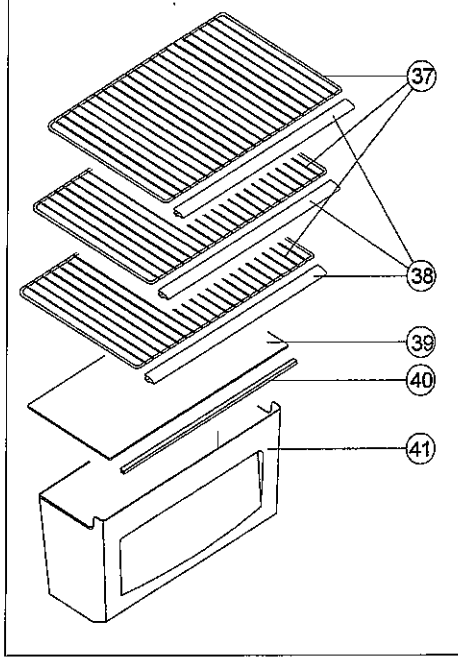


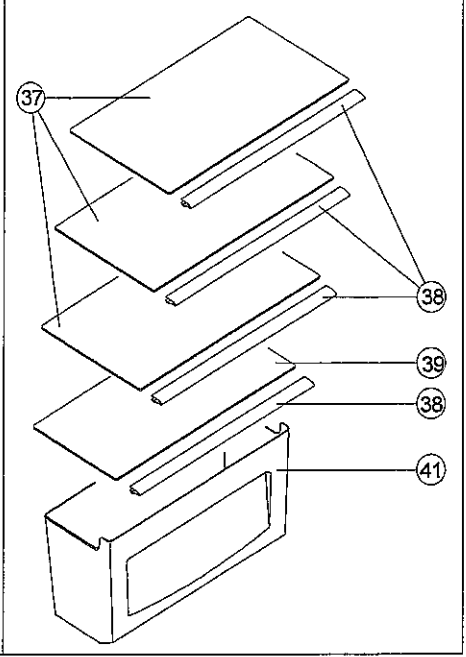
OPTIONAL



WIRE SHELF DESIGN

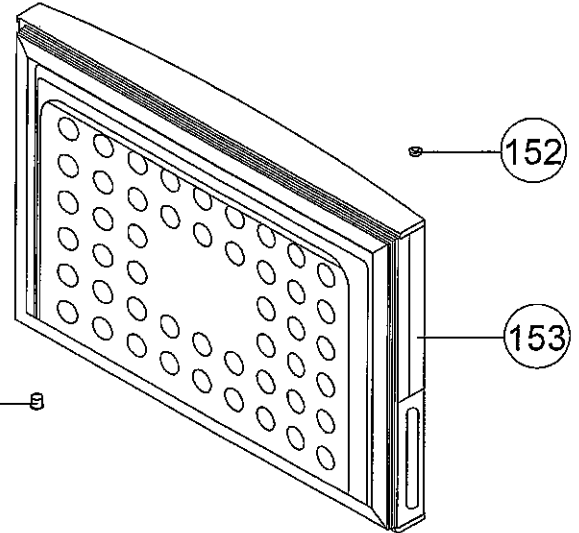


GLASS SHELF DESIGN



NOTE : On this exploded view, standard accessories drawings are used. According to your product, some changes may become on the accessories.

151

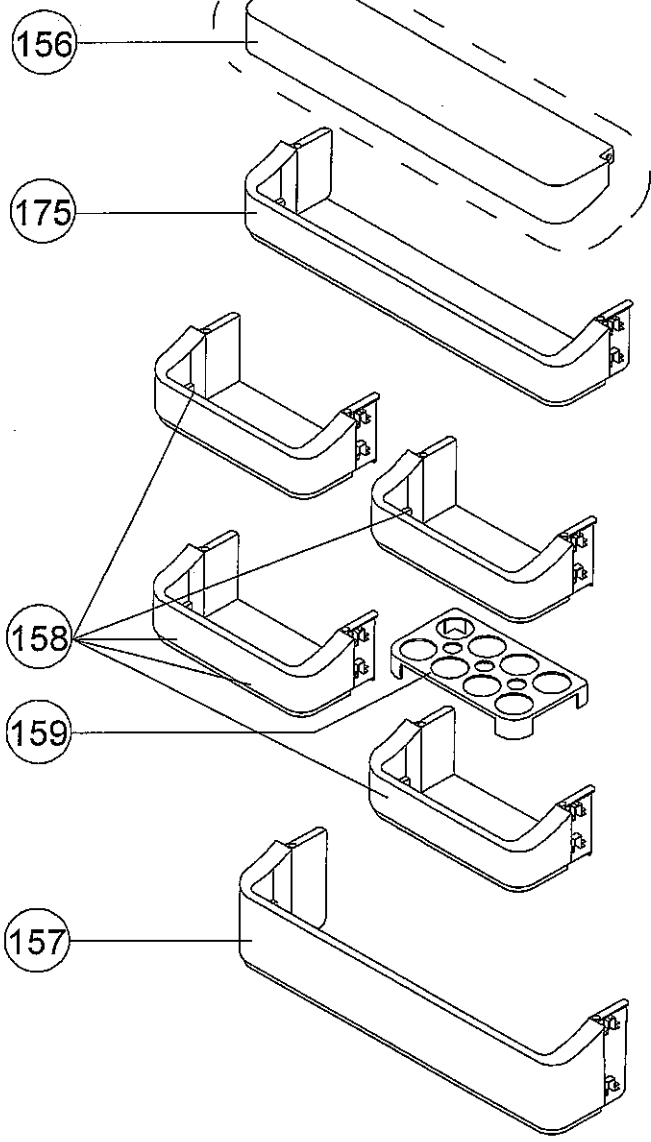


151

152

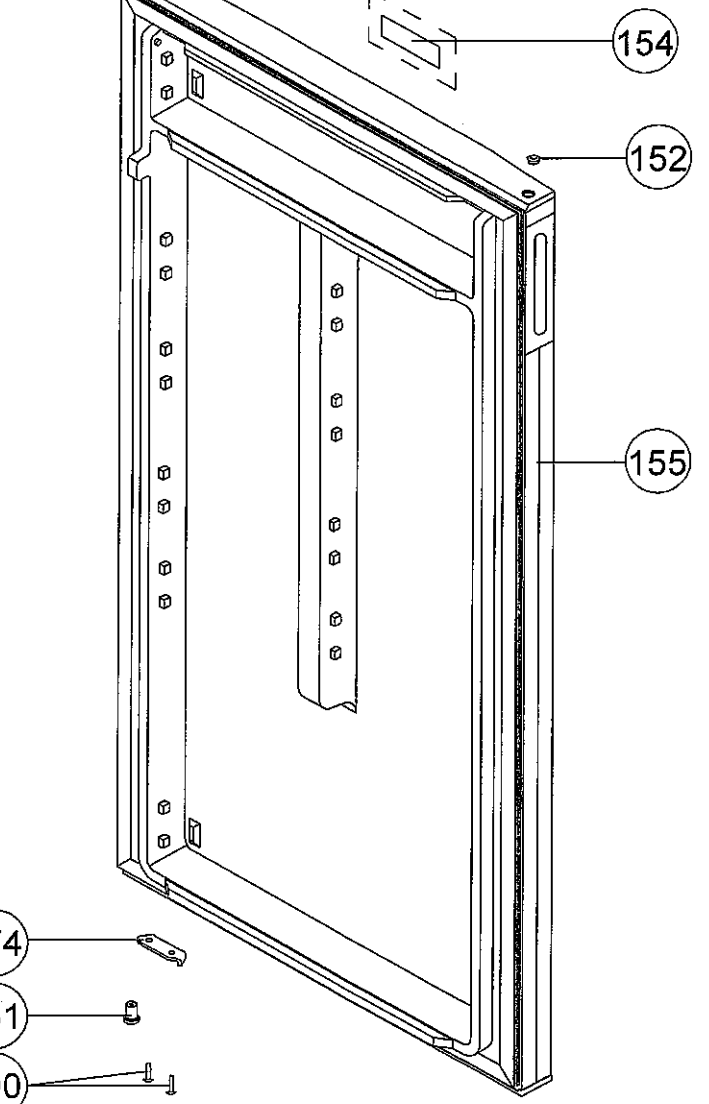
153

OPTIONAL



151

OPTIONAL



154

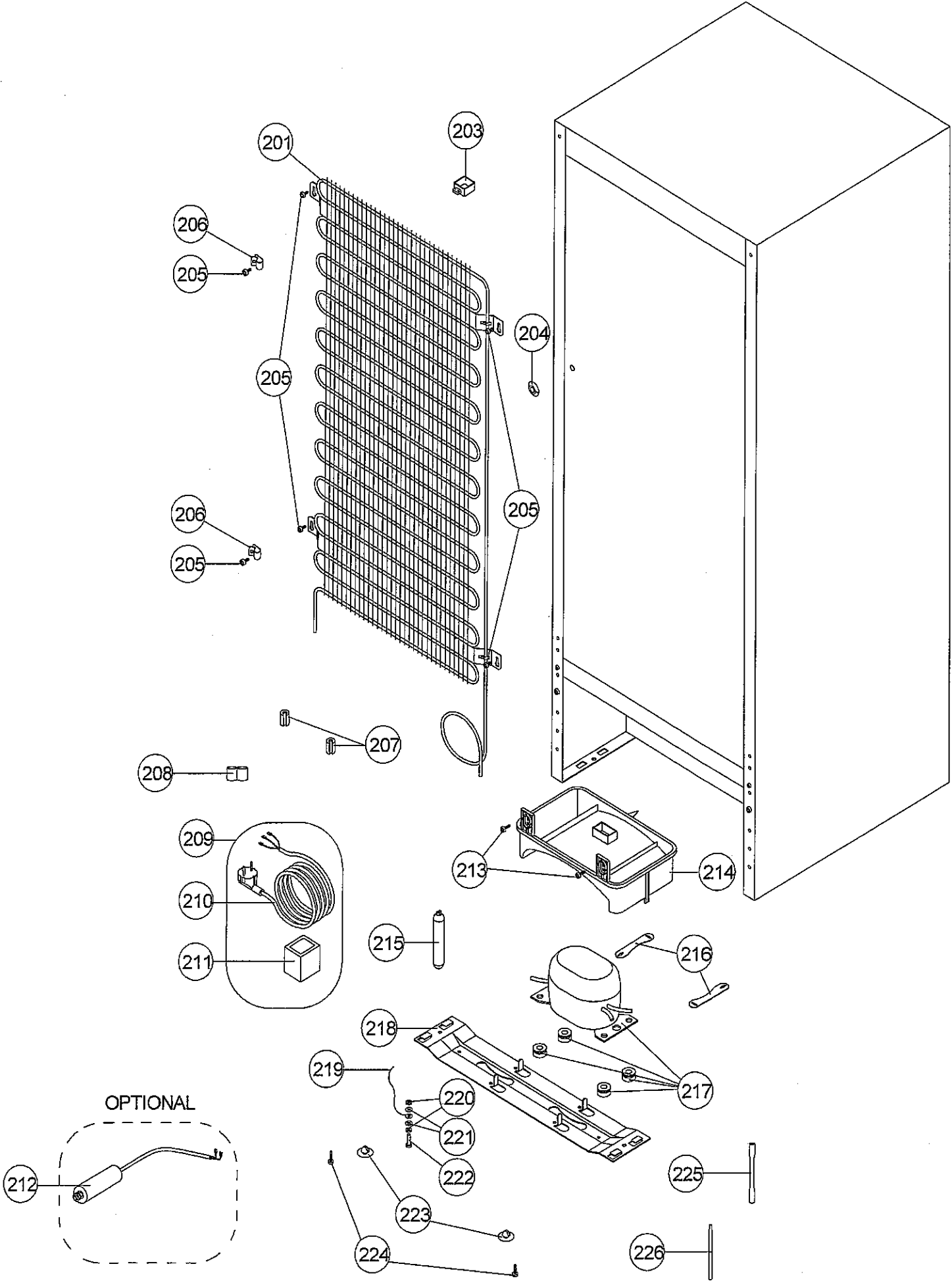
152

155

174

151

190



OPTIONAL

212

201

203

206

205

205

204

206

205

205

207

208

209

210

211

215

213

214

216

218

219

220

221

222

217

223

224

225

226