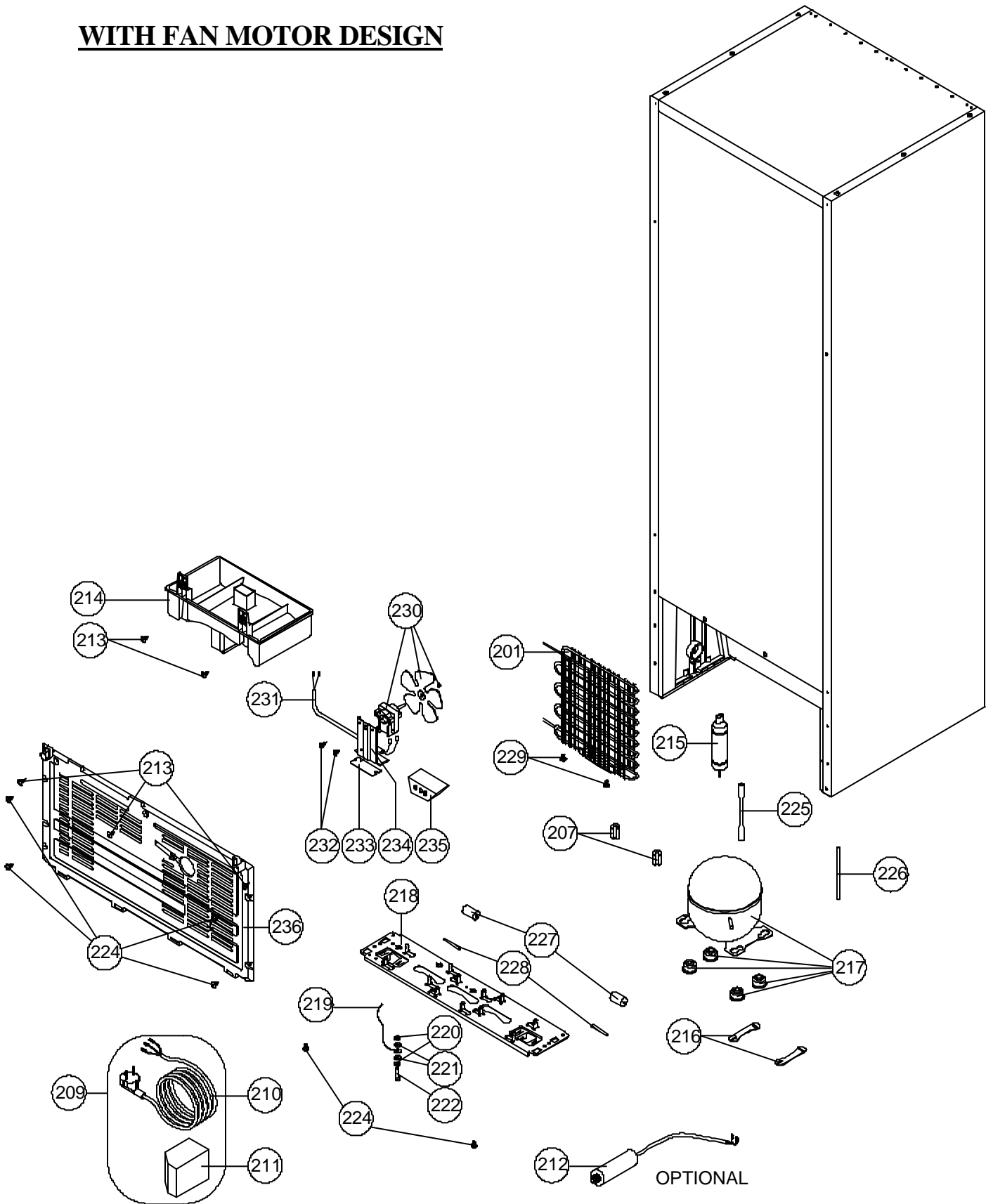
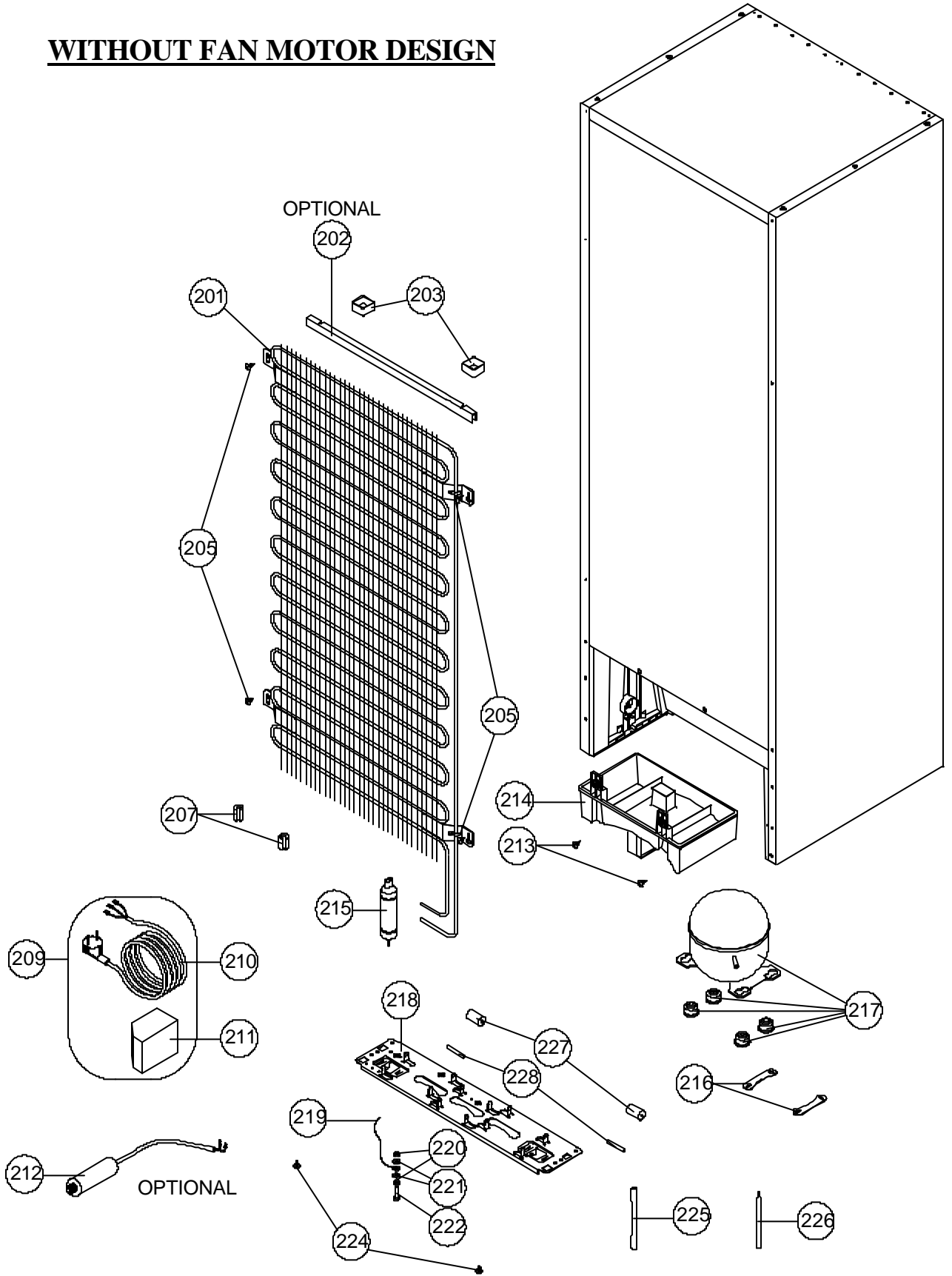


WITH FAN MOTOR DESIGN



WITHOUT FAN MOTOR DESIGN



WITH IRAQ BACK CONDENSER and FAN MOTOR DESIGN

