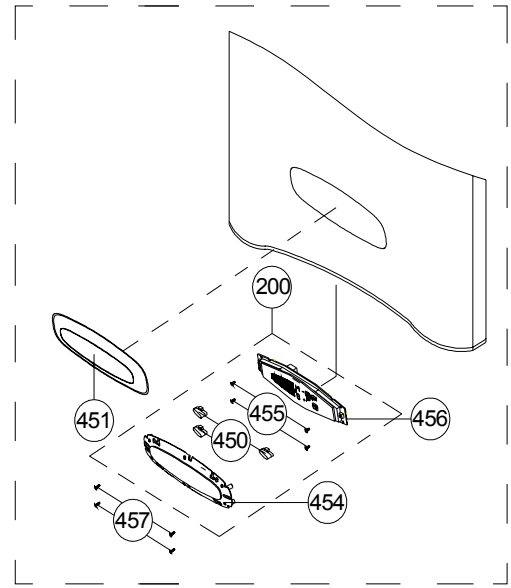
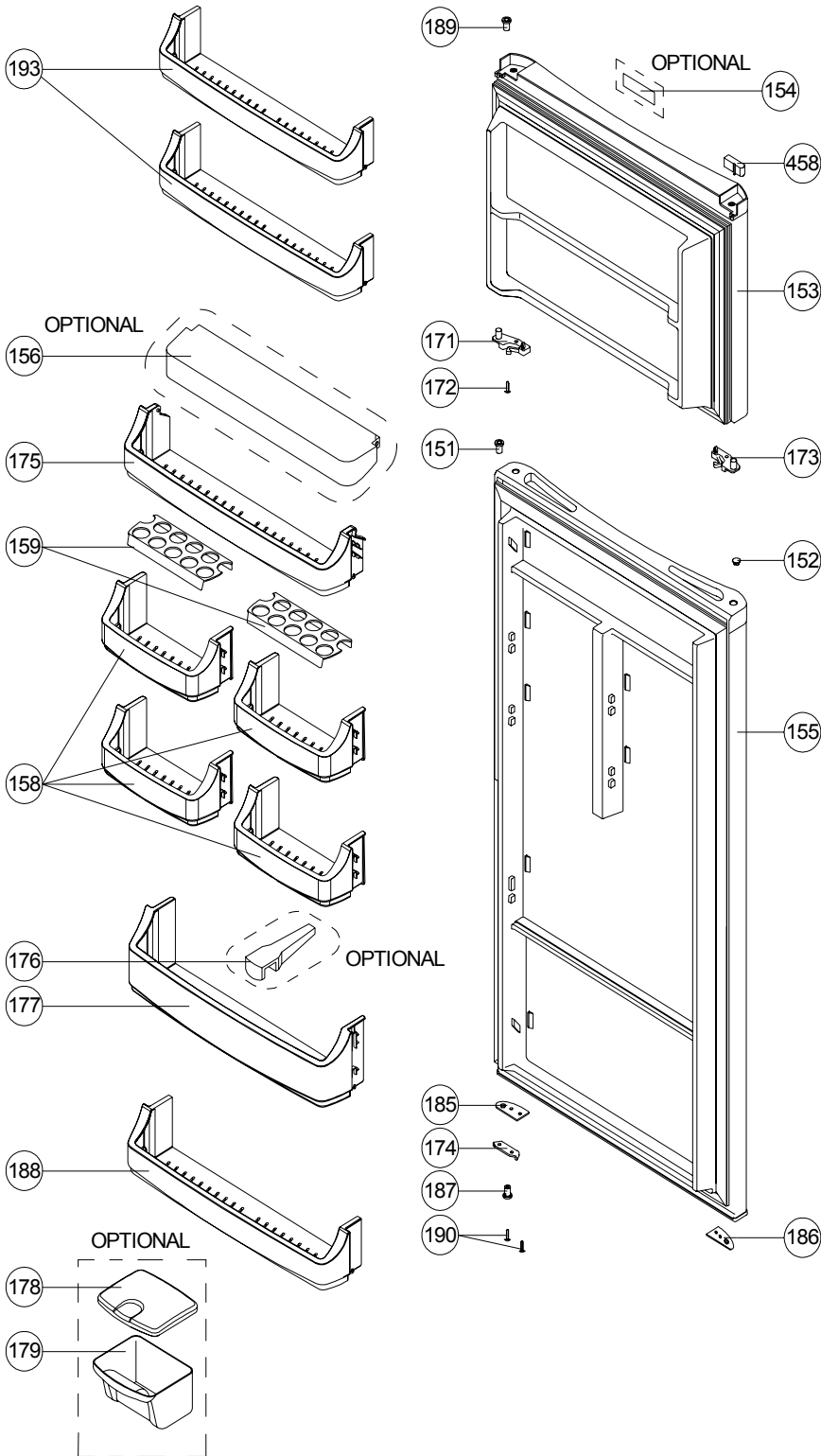
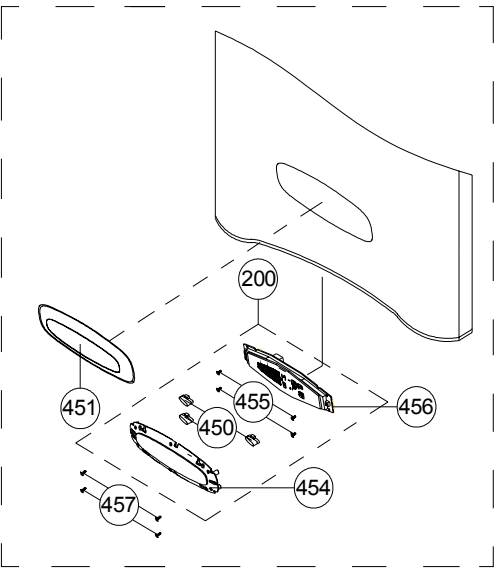
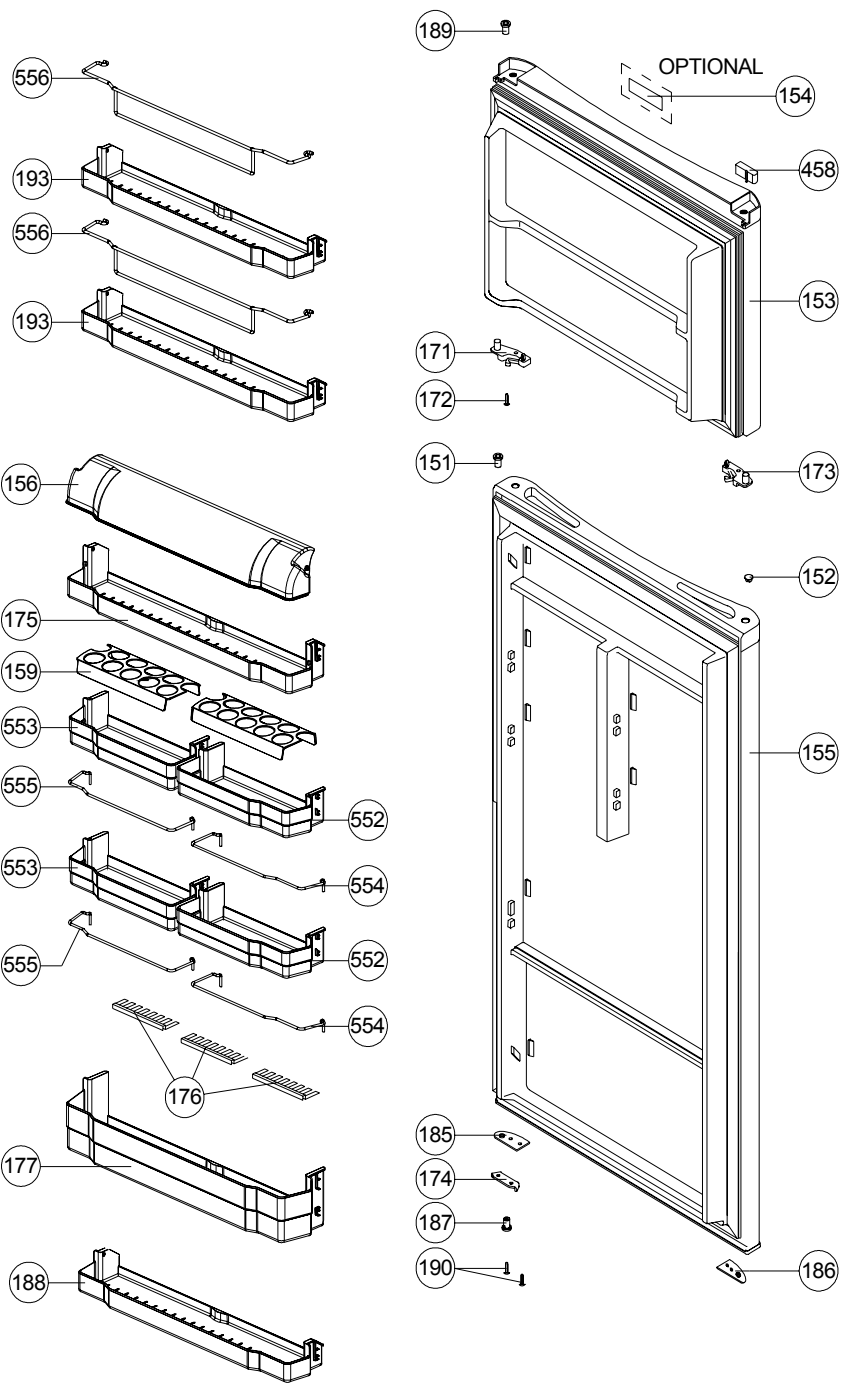


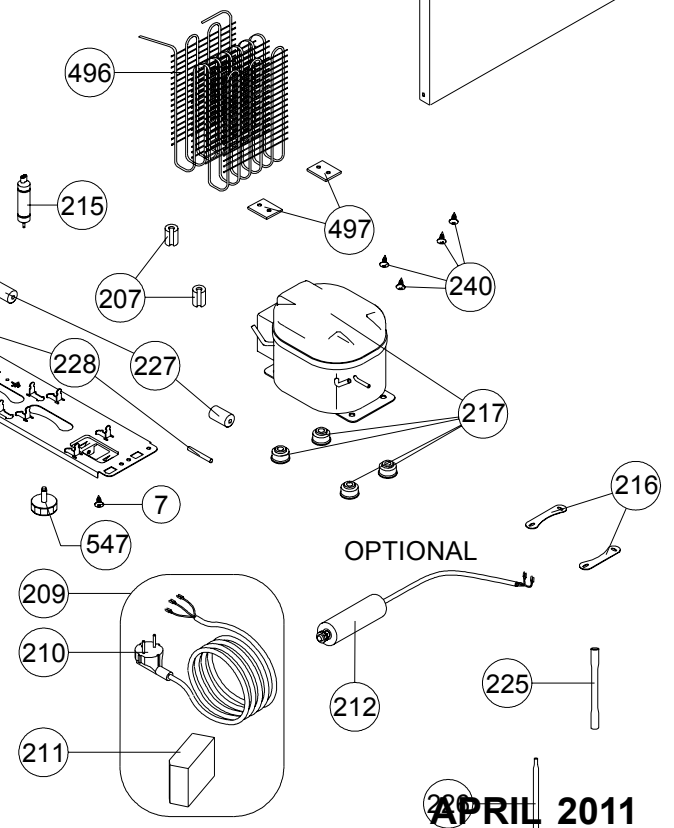
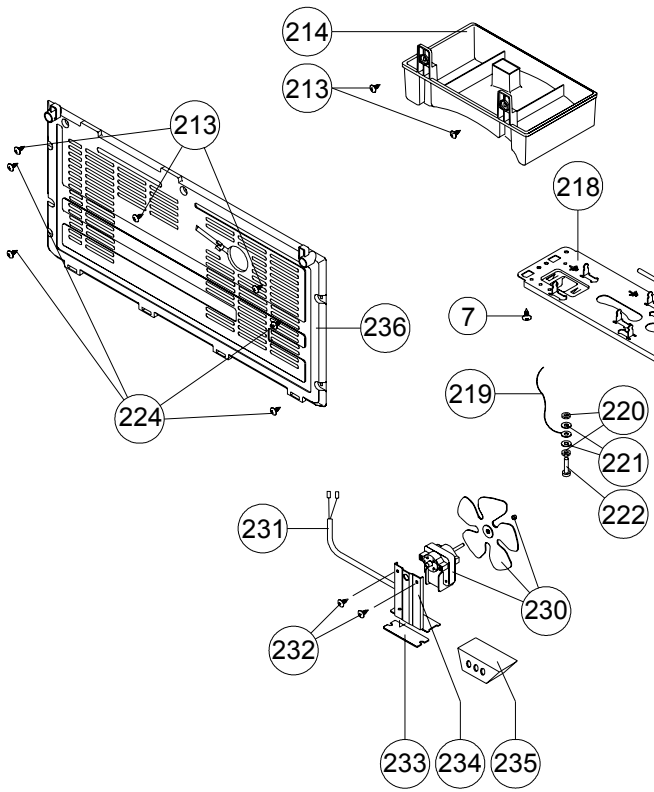
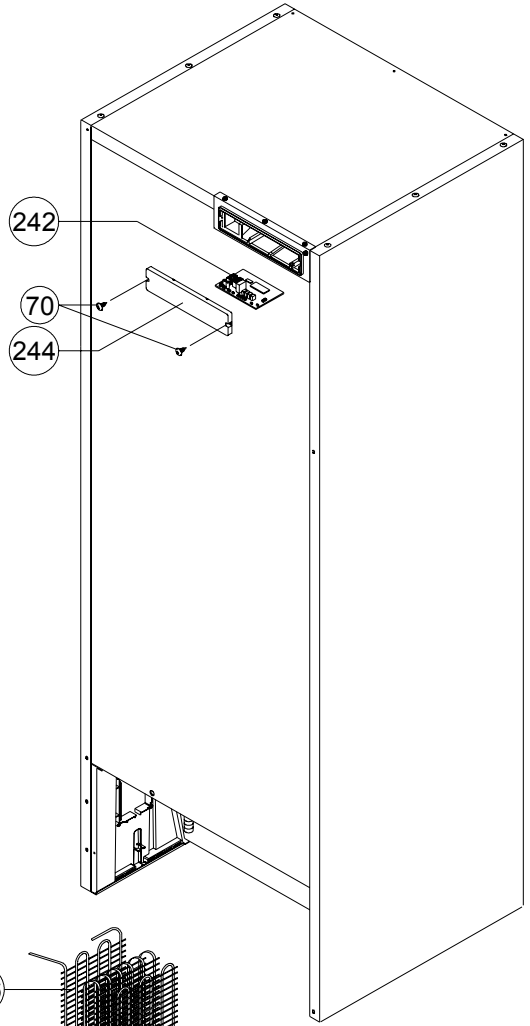
ELECTRONIC CONTROL



ELECTRONIC CONTROL



WITH FAN MOTOR DESIGN



WITH STATIC BACK CONDANSER DESIGN

