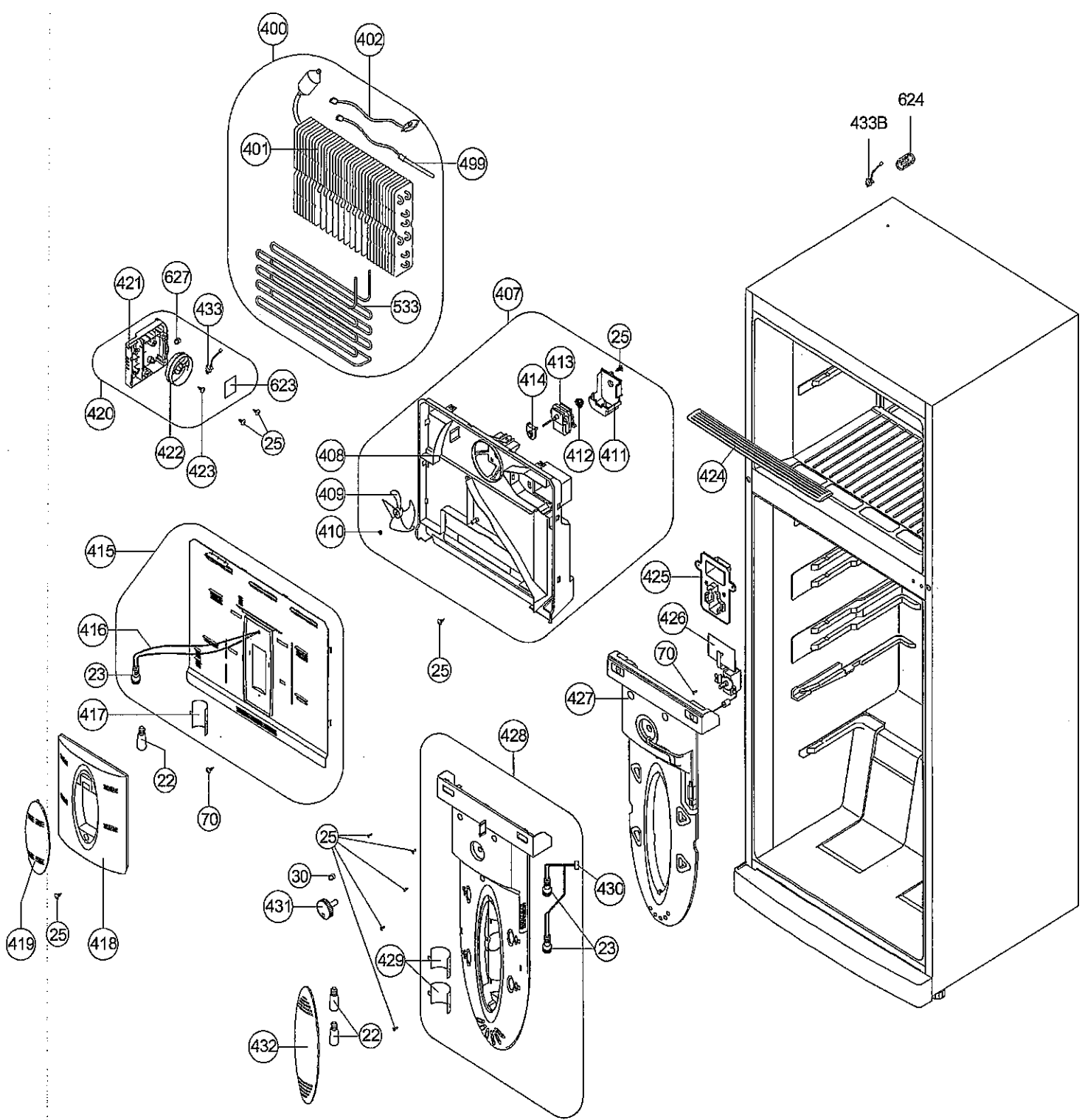


**NOTE :** On this exploded view, standard accessories drawings are used. According to your product, some changes may become on the accessories.



# A PLUS(+) DESIGN

