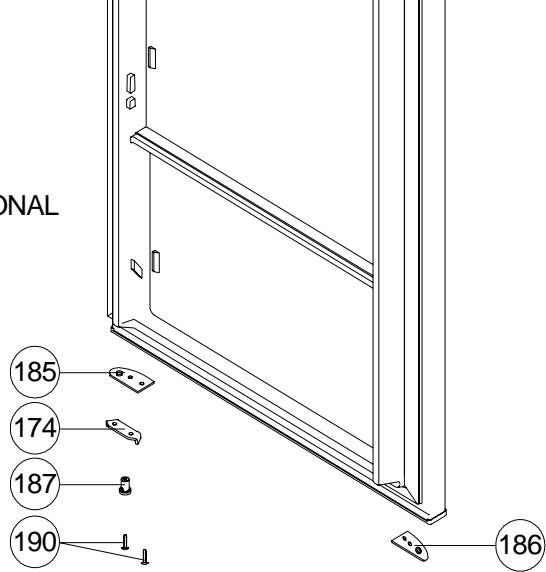
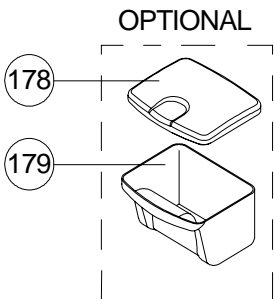
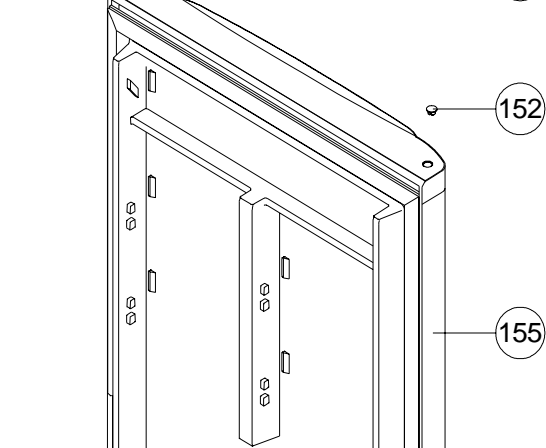
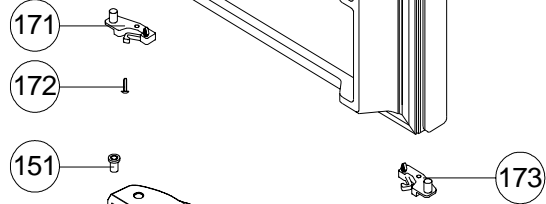
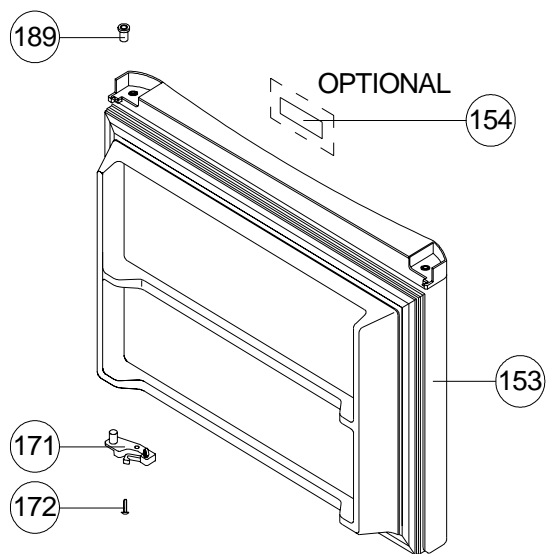
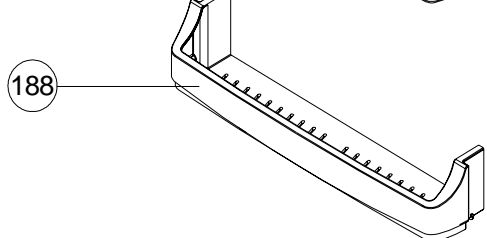
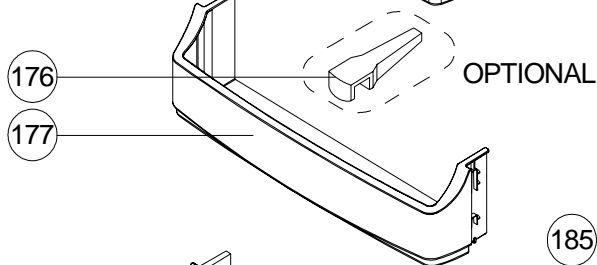
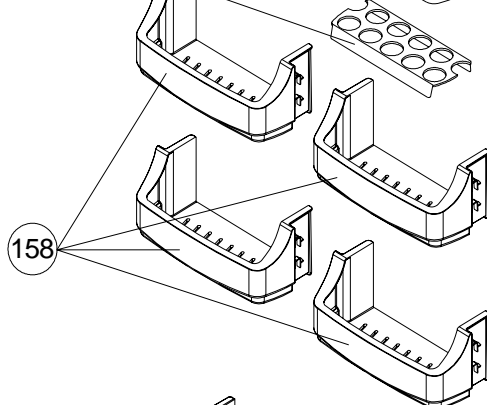
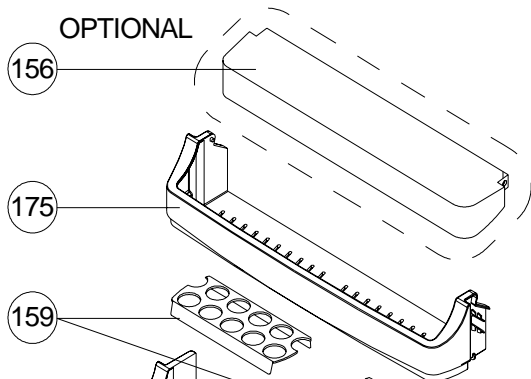
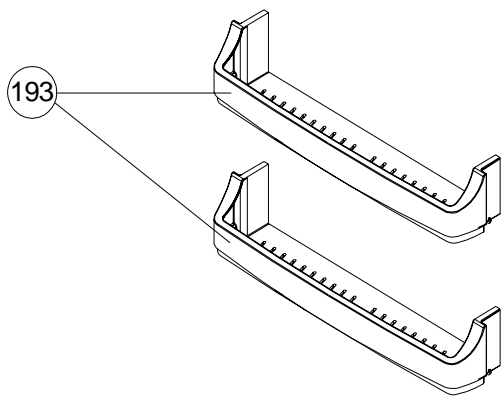
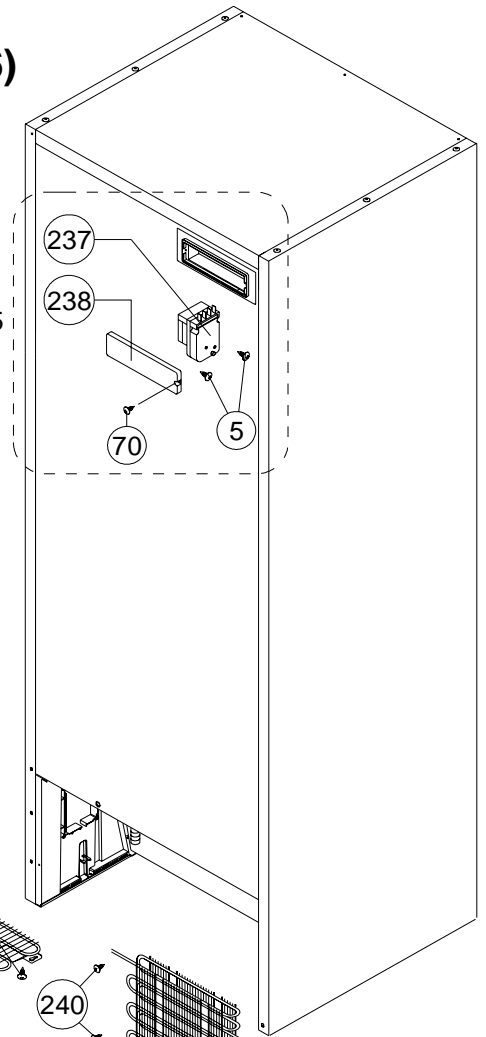


NOTE : On this exploded view, standard accessories drawings are used. According to your product, some changes may be made on the accessories.



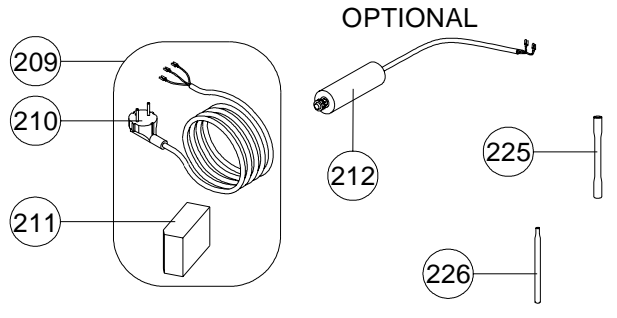
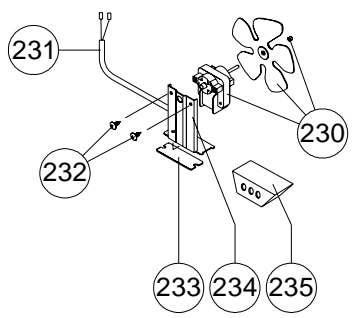
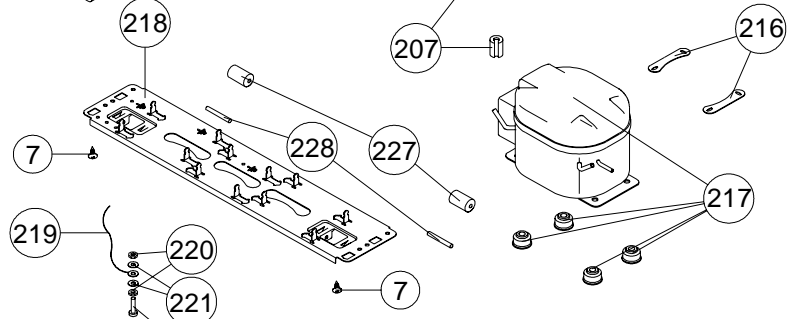
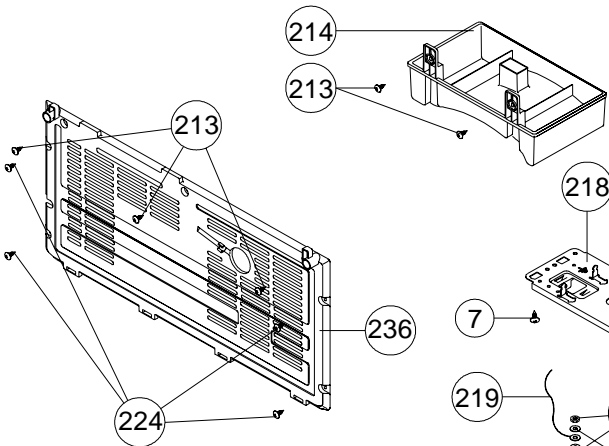
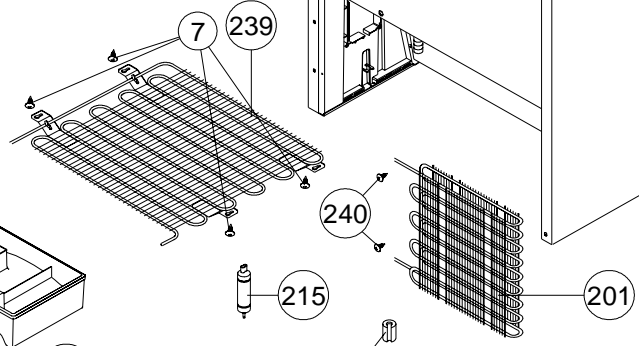
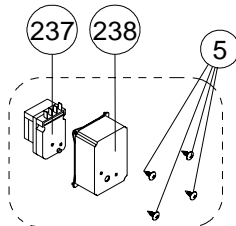
OLD DESIGN (BEFORE DATE 03.04.2006)



TIMER AFTER
DATE 14.11.2005

TIMER BOX WILL BE REMOVED FROM
THE BOTTOM TO THE TOP FOR THE
NO-FROST MECHANICAL MODELS

TIMER BEFORE
DATE 14.11.2005



OPTIONAL

NEW DESIGN (AFTER DATE 03.04.2006)

