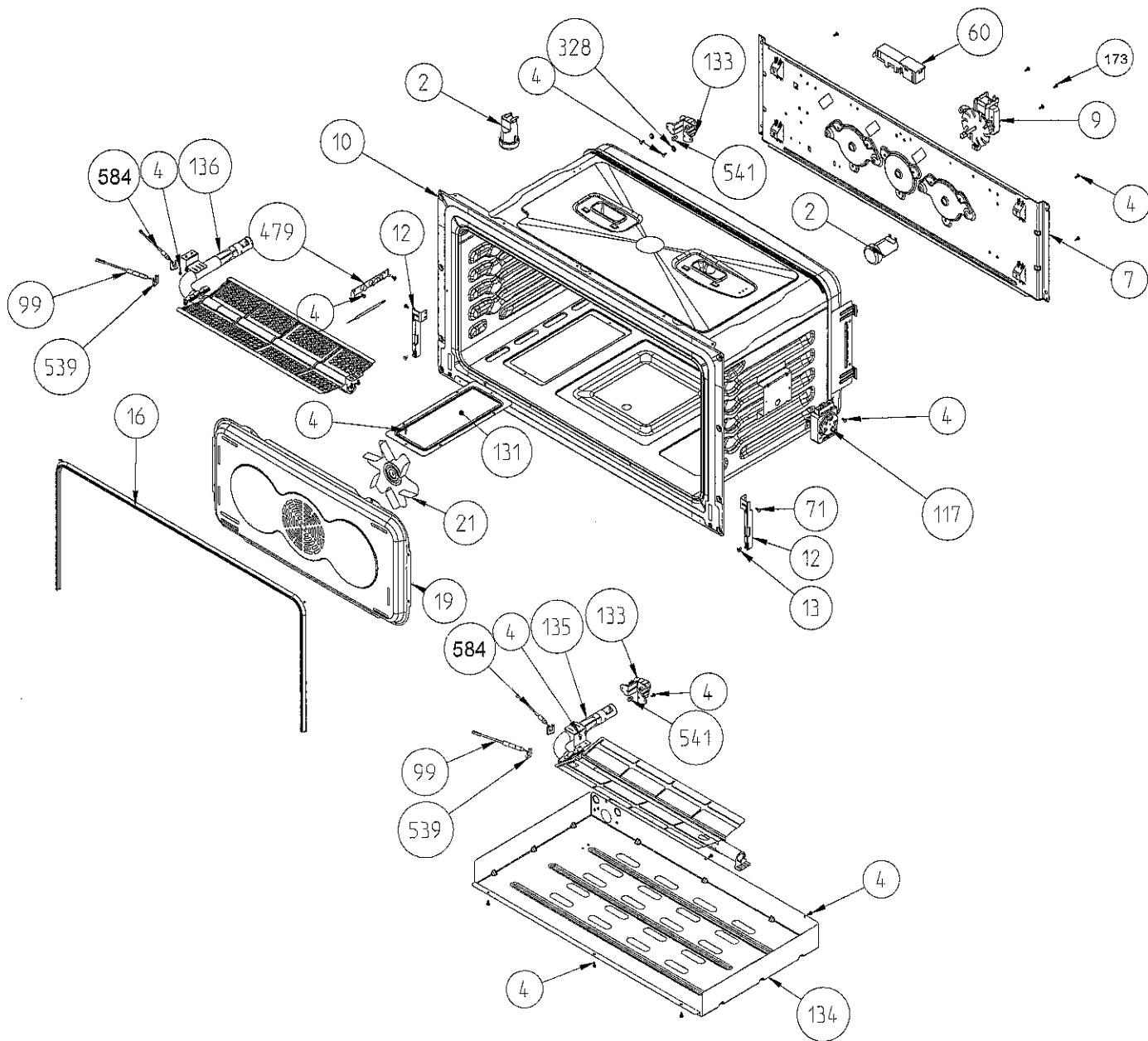


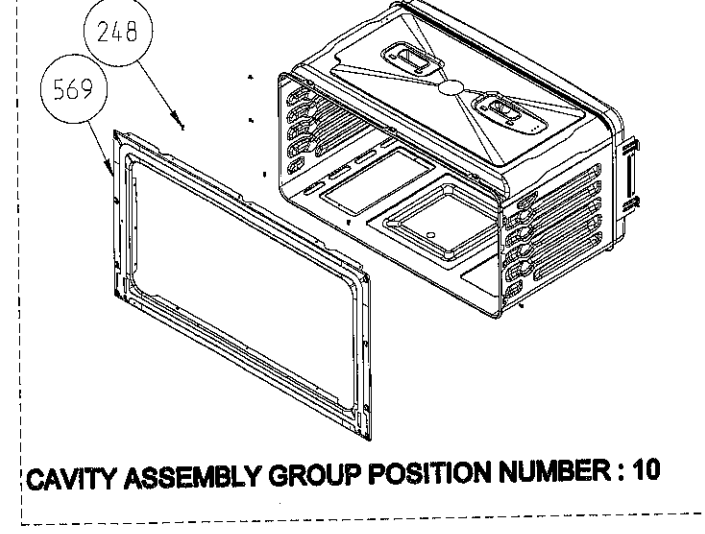
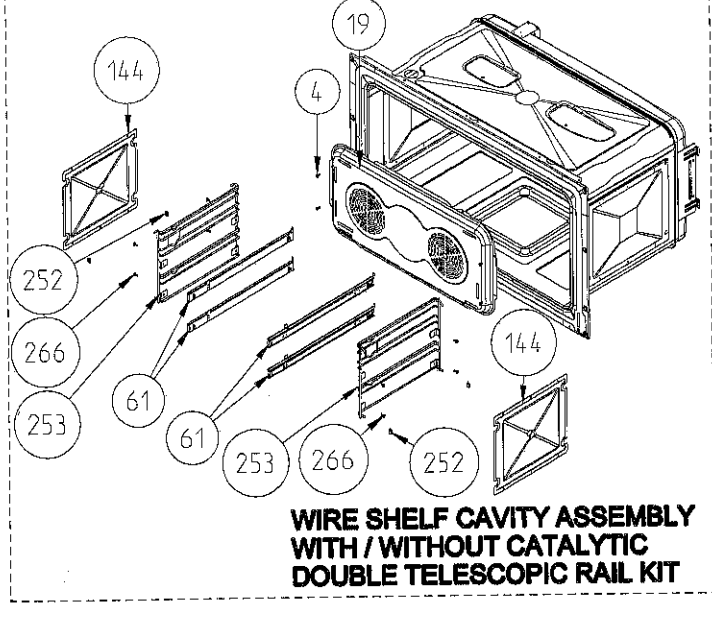
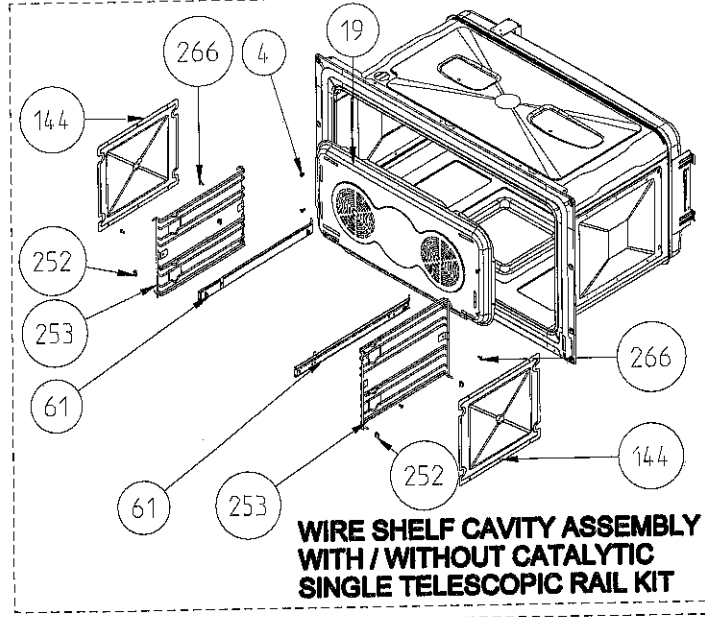
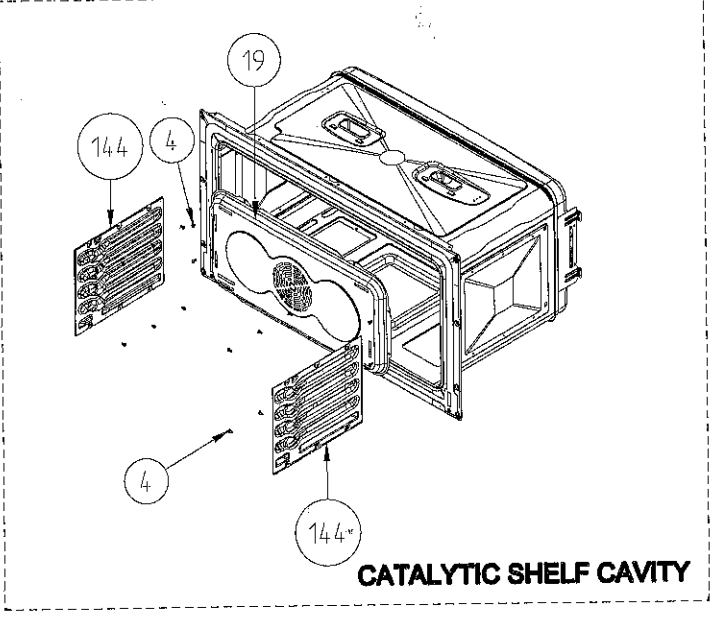
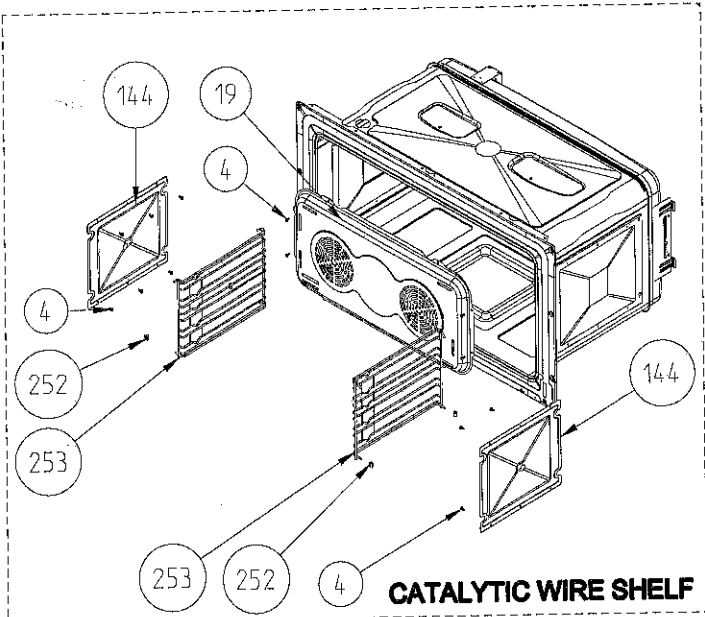
90 CM FREE STANDING GAS COOKER CAVITY ASSEMBLY



GAS OVEN AND GAS GRILL CAVITY ASSEMBLY

"The exploded views given in this document are generic.They include all possible versions of the product.
For specific part codes,please refer to the bom list of regarding model."

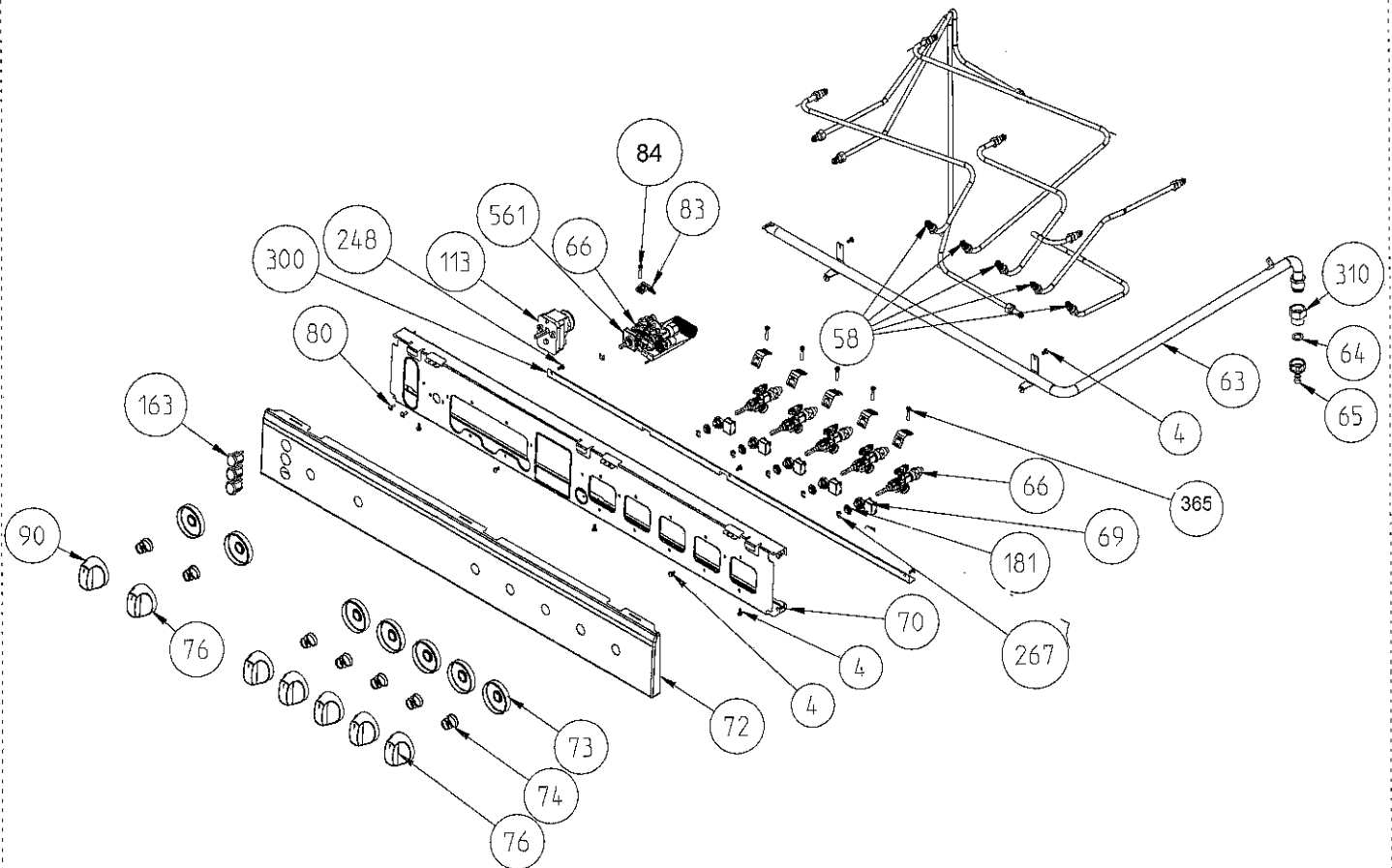
90 CM FREE STANDING COOKER CAVITY ASSEMBLY



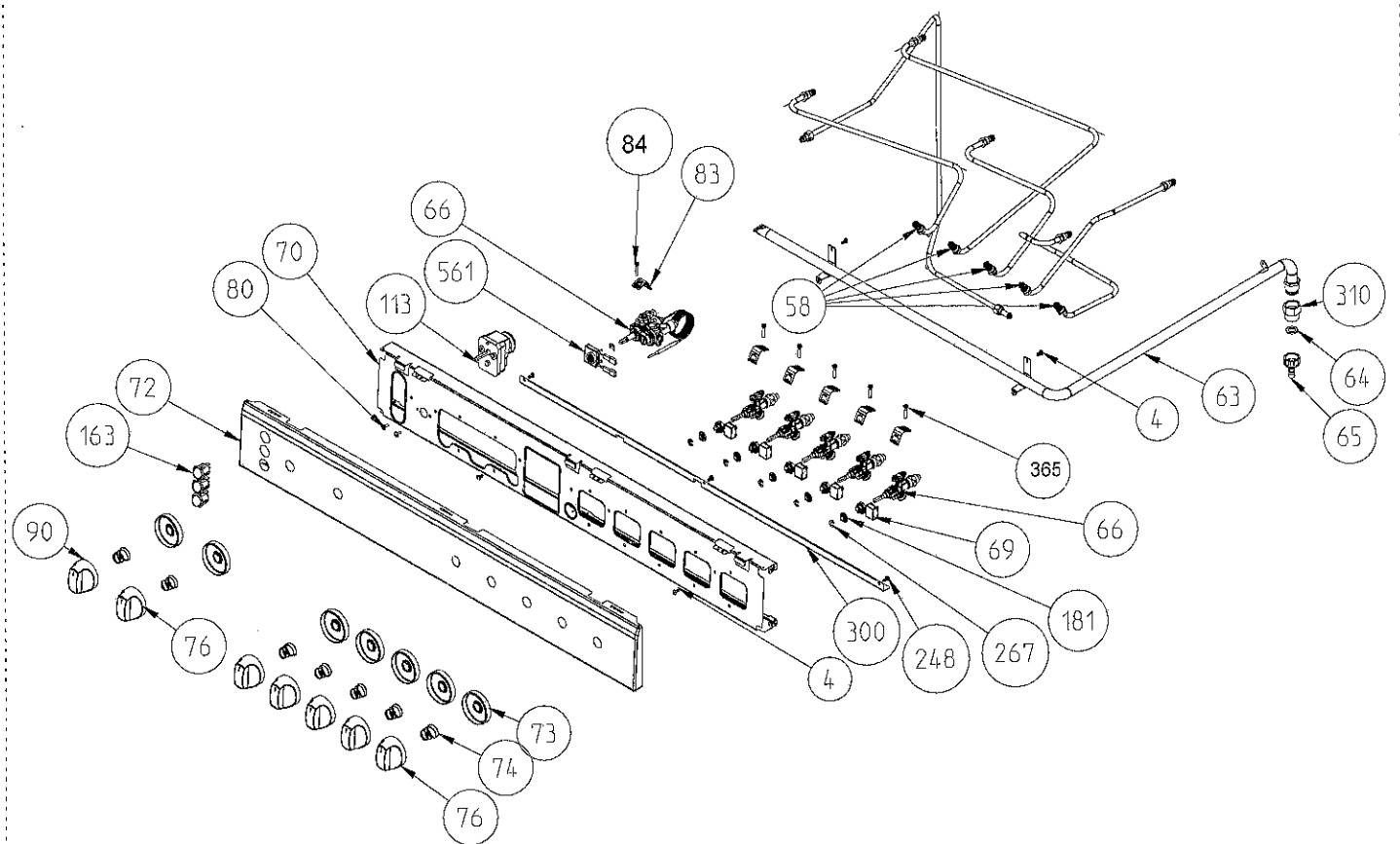
13 july 2015

"The exploded views given in this document are generic. They include all possible versions of the product. For specific part codes, please refer to the born list of regarding model."

90 CM FREE STANDING GAS COOKER CONTROL PANELS



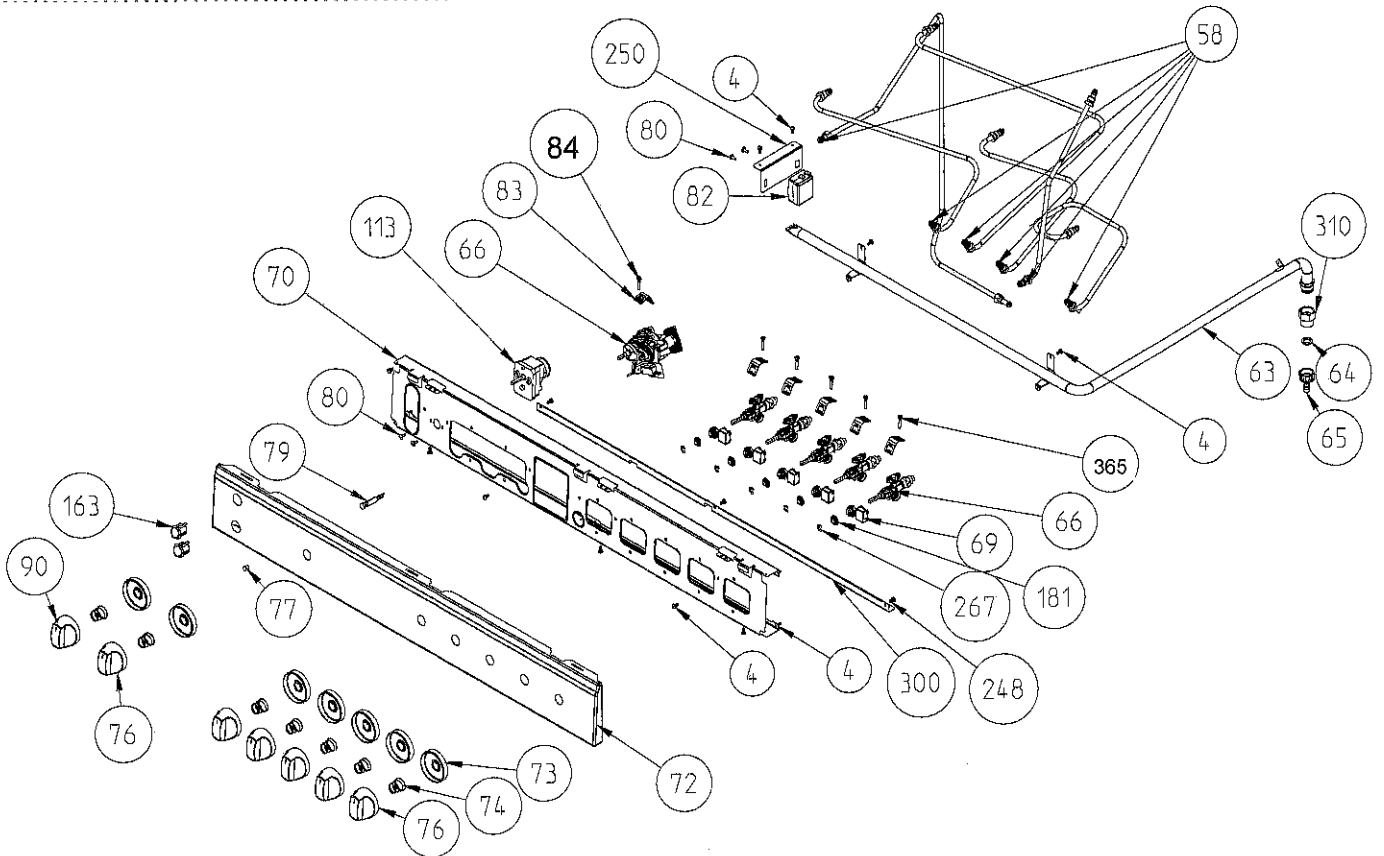
5 GAS COOKTOP AND GAS OVEN WITH GAS GRILL CONTROL PANEL ASSEMBLY



5 GAS COOKTOP AND GAS OVEN CONTROL PANEL ASSEMBLY

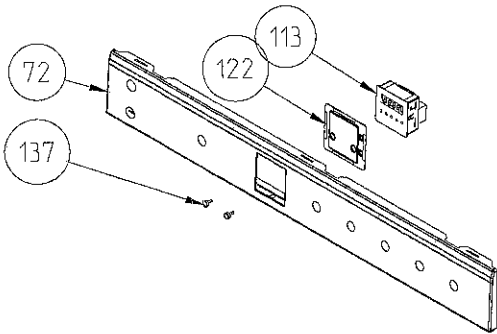
"The exploded views given in this document are generic. They include all possible versions of the product. For specific part codes, please refer to the bom list of regarding model."

90 CM FREE STANDING GAS COOKER CONTROL PANELS

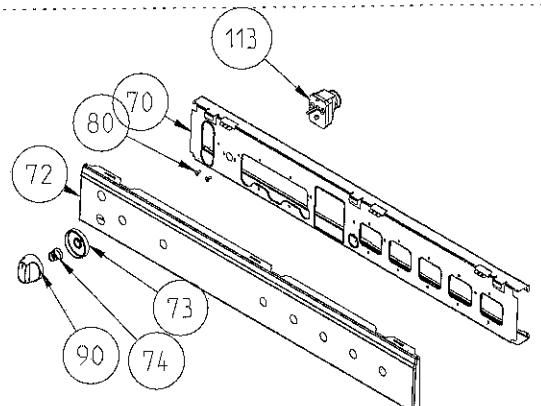


5 GAS COOKTOP AND GAS OVEN WITH ELECTRIC GRILL CONTROL PANEL ASSEMBLY

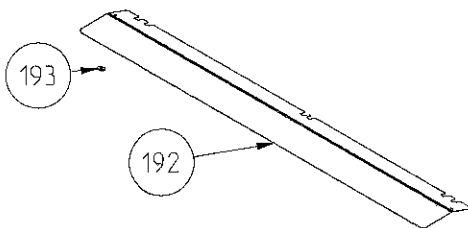
TIMER OPTIONS



DIGITAL TIMER (OPTIONAL)

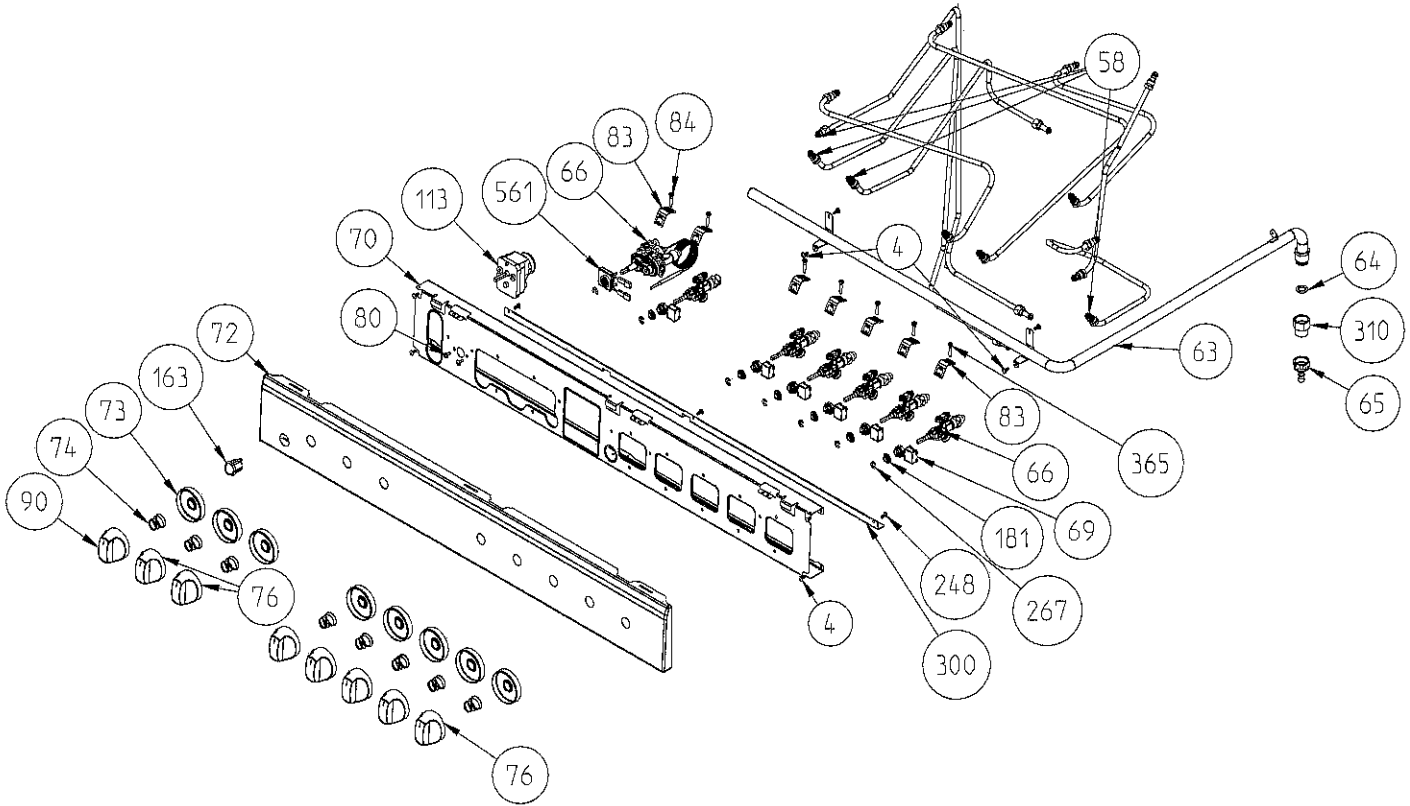


MECHANIC TIMER (OPTIONAL)

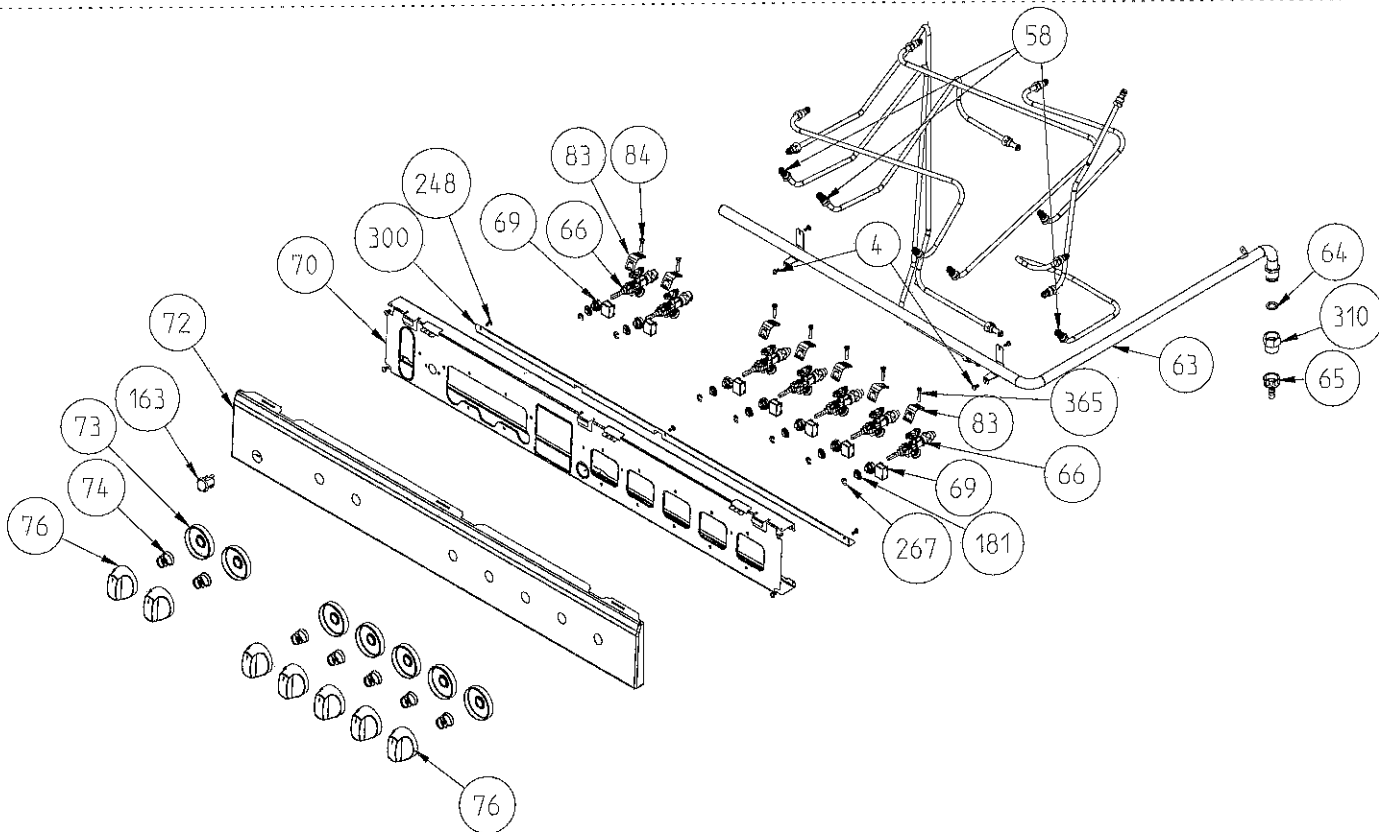


GRILL HEAT COVER (OPTIONAL)

90 CM FREE STANDING COOKER CONTROL PANEL ASSEMBLY



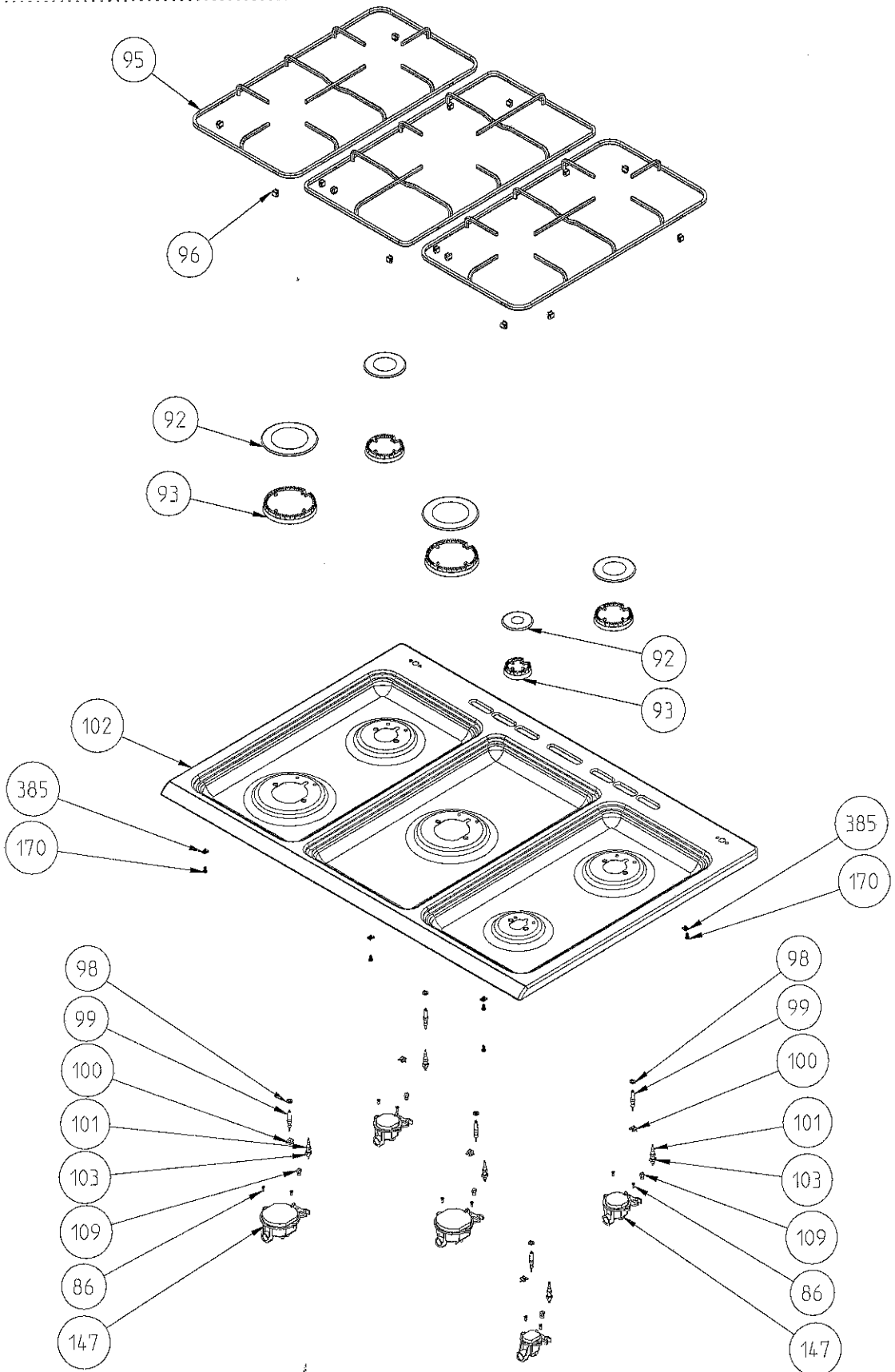
5 GAS COOKTOP WITH OVEN THERMOSTAT (SEPERATE KNOW CONTROL)



5 GAS COOKTOP WITHOUT OVEN THERMOSTAT (SEPERATE KNOW CONTROL)

"The exploded views given in this document are generic.They include all possible versions of the product.
For specific part codes,please refer to the bom list of regarding model."

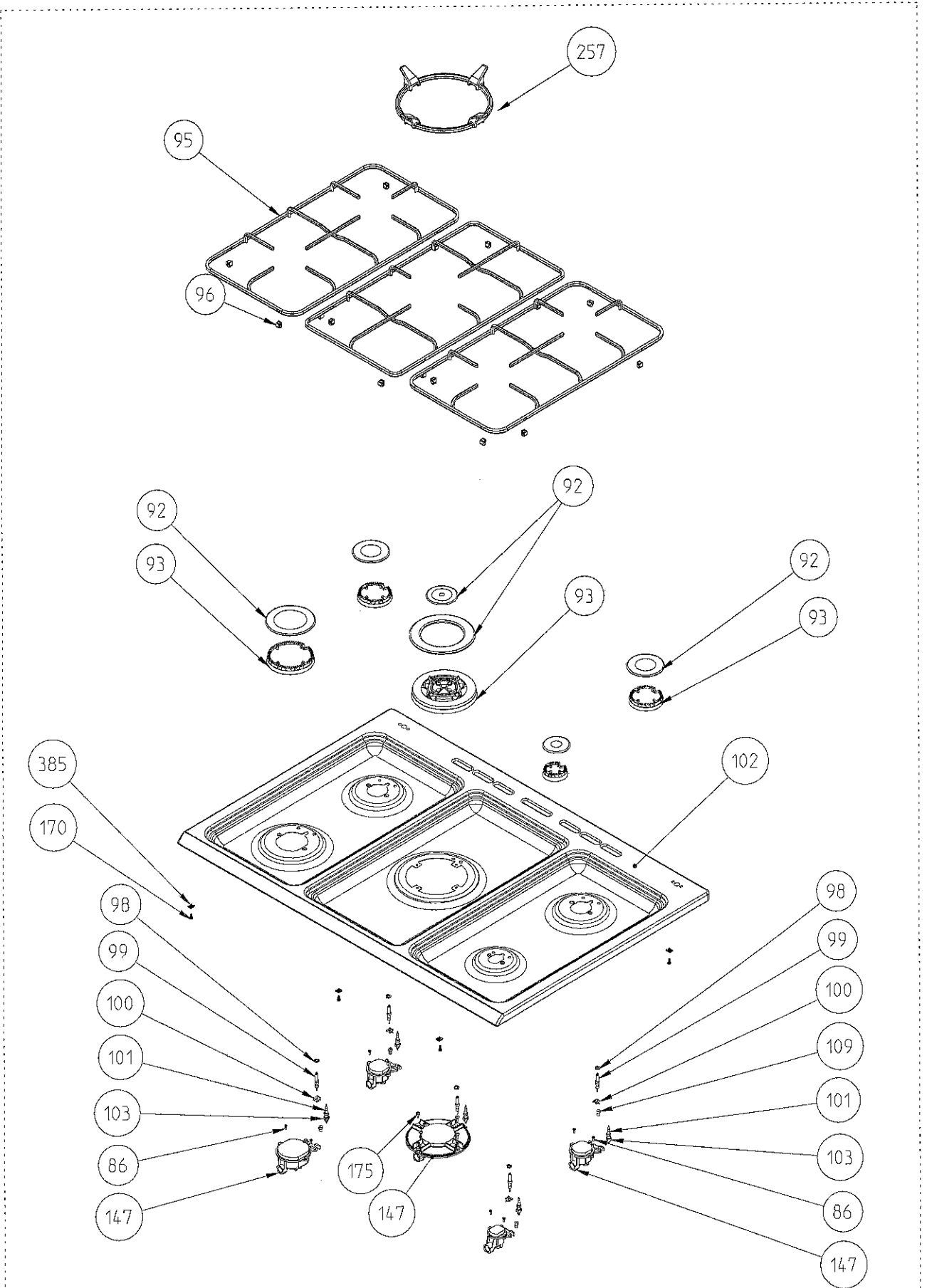
90 CM FREE STANDING GAS COOKER COOKTOP ASSEMBLY



**5 GAS
COOKTOP ASSEMBLY**

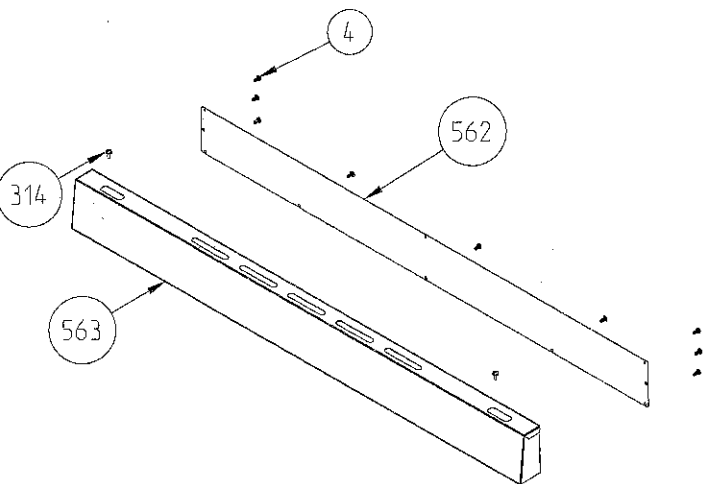
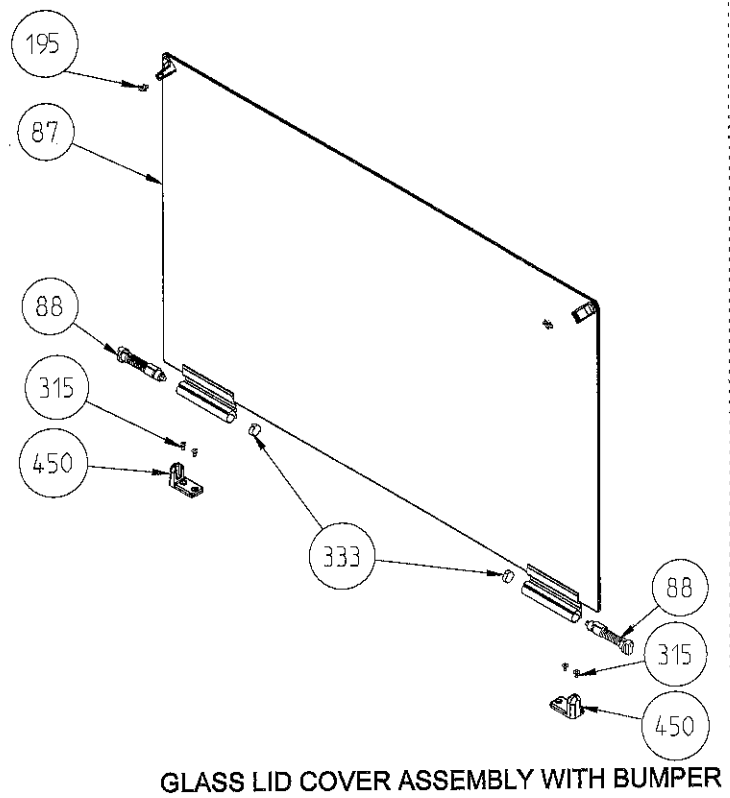
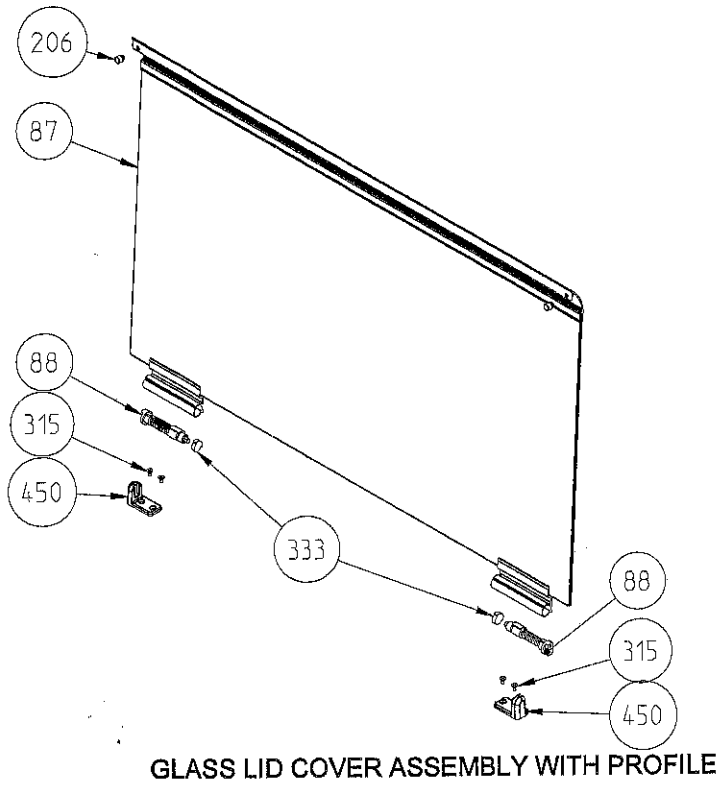
"The exploded views given in this document are generic. They include all possible versions of the product. For specific part codes, please refer to the bom list of regarding model."

90 CM FREE STANDING GAS COOKER COOKTOP ASSEMBLY



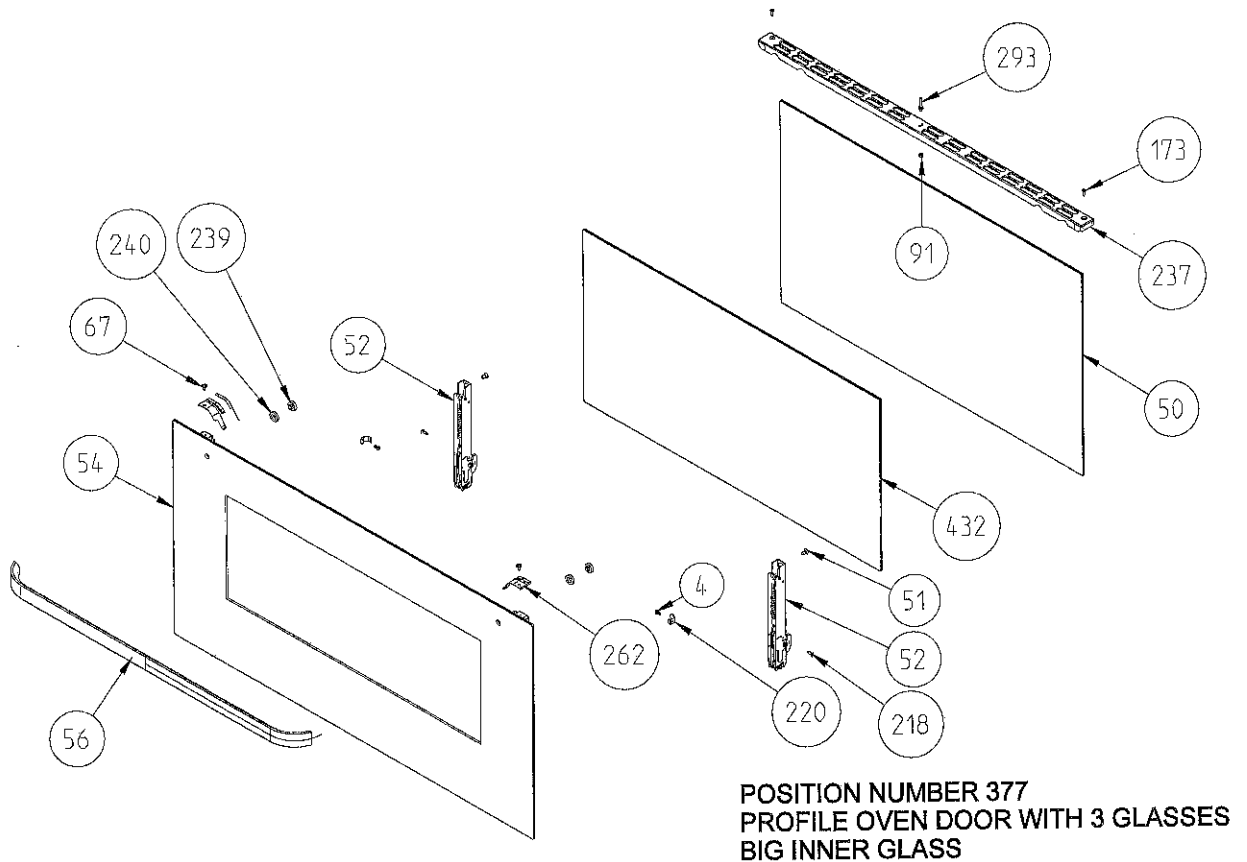
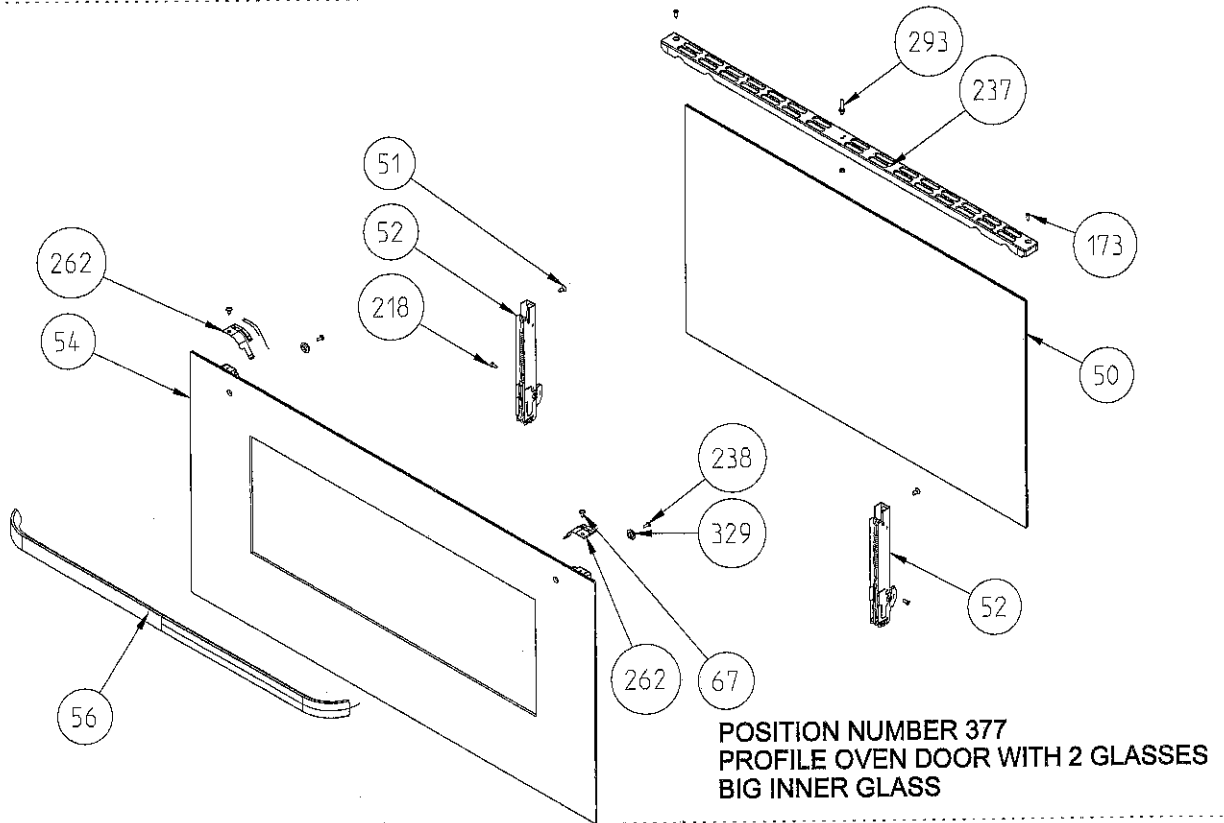
"The exploded views given in this document are generic. They include all possible versions of the product. For specific part codes, please refer to the bom list of regarding model."

90 CM FREE STANDING GAS COOKER LID ASSEMBLY



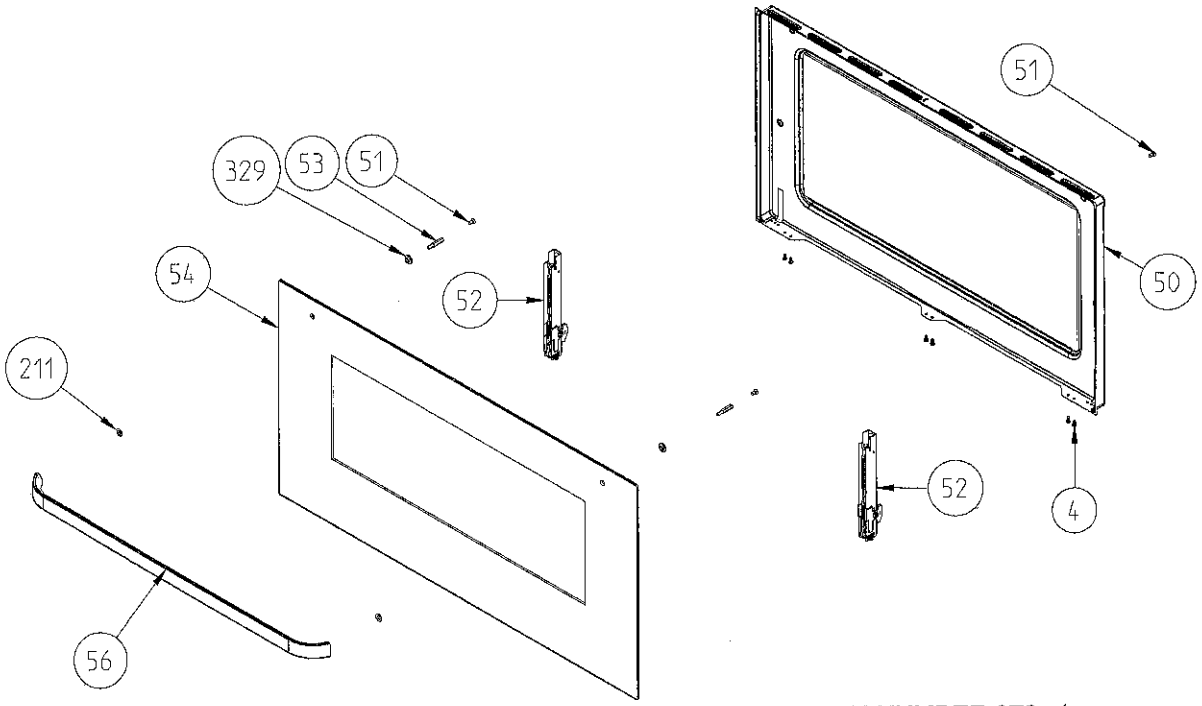
"The exploded views given in this document are generic. They include all possible versions of the product. For specific part codes, please refer to the bom list of regarding model."

90 CM FREE STANDING COOKER OVEN DOOR ASSEMBLY

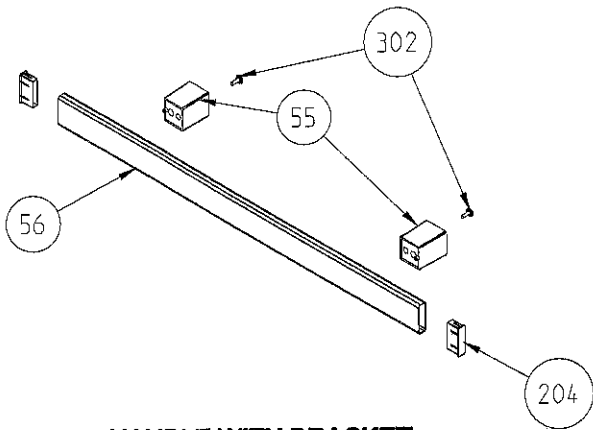


"The exploded views given in this document are generic. They include all possible versions of the product. For specific part codes, please refer to the bom list of regarding model."

90 CM FREE STANDING COOKER OVEN DOOR ASSEMBLY



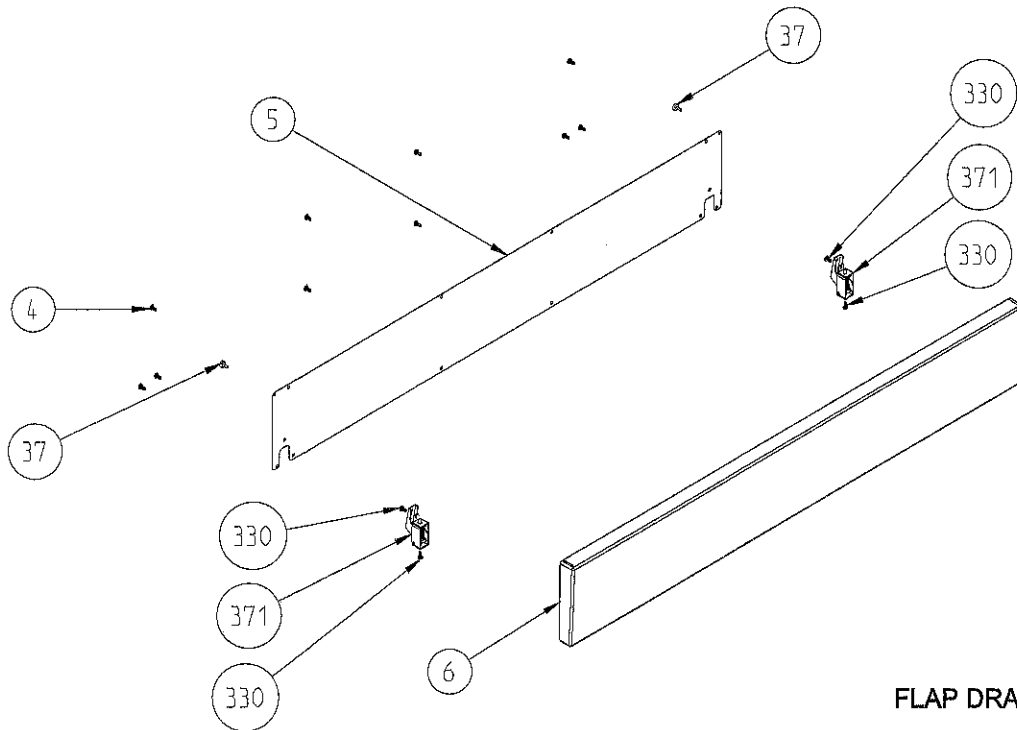
**POSITION NUMBER 376
FLAT TYPE OVEN DOOR WITH 2 GLASSES
(SMALL INNER GLASS)**



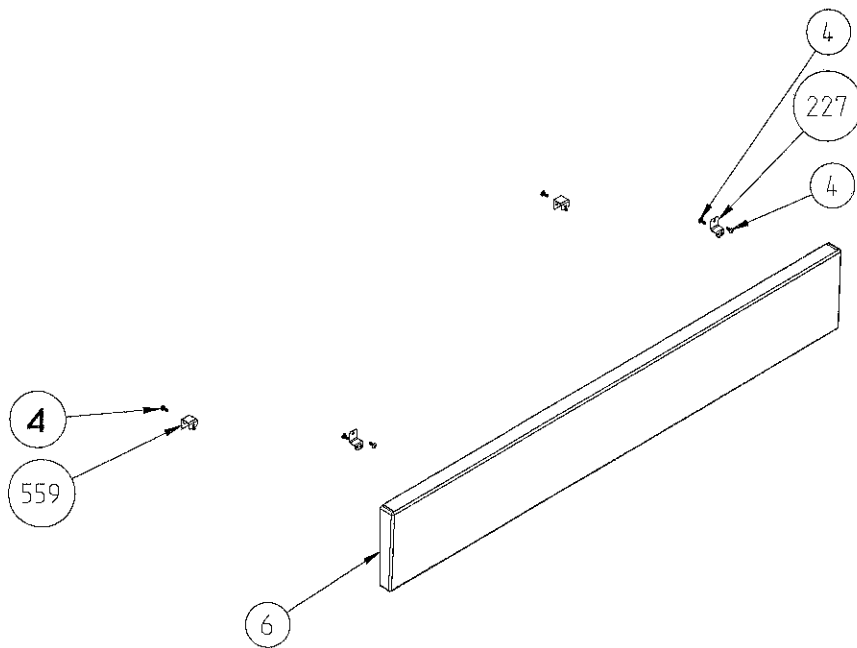
HANDLE WITH BRACKET

"The exploded views given in this document are generic. They include all possible versions of the product. For specific part codes, please refer to the bom list of regarding model."

90 CM FREE STANDING COOKER DRAWER ASSEMBLY



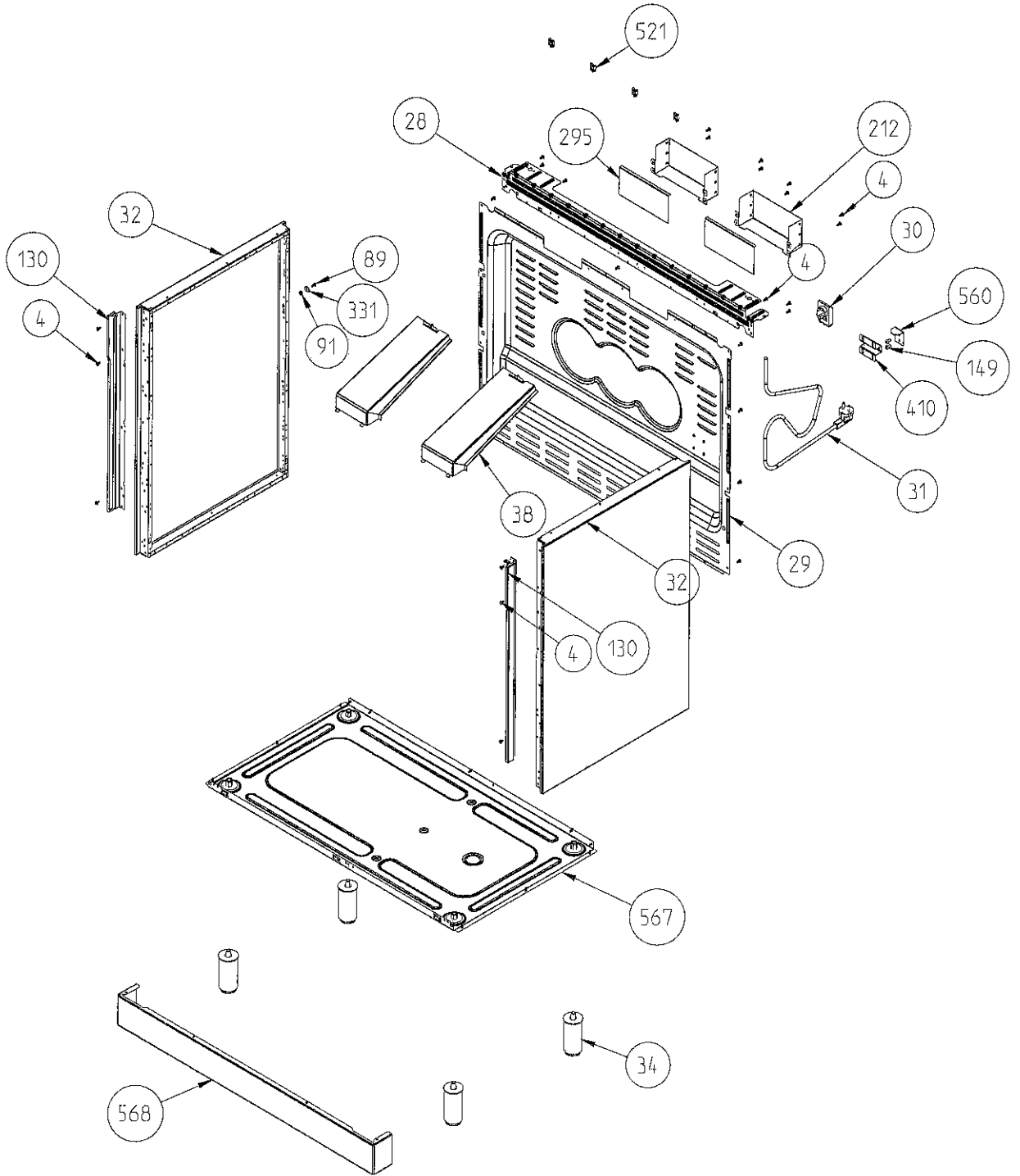
FLAP DRAWER ASSEMBLY



FIXED DRAWER ASSEMBLY

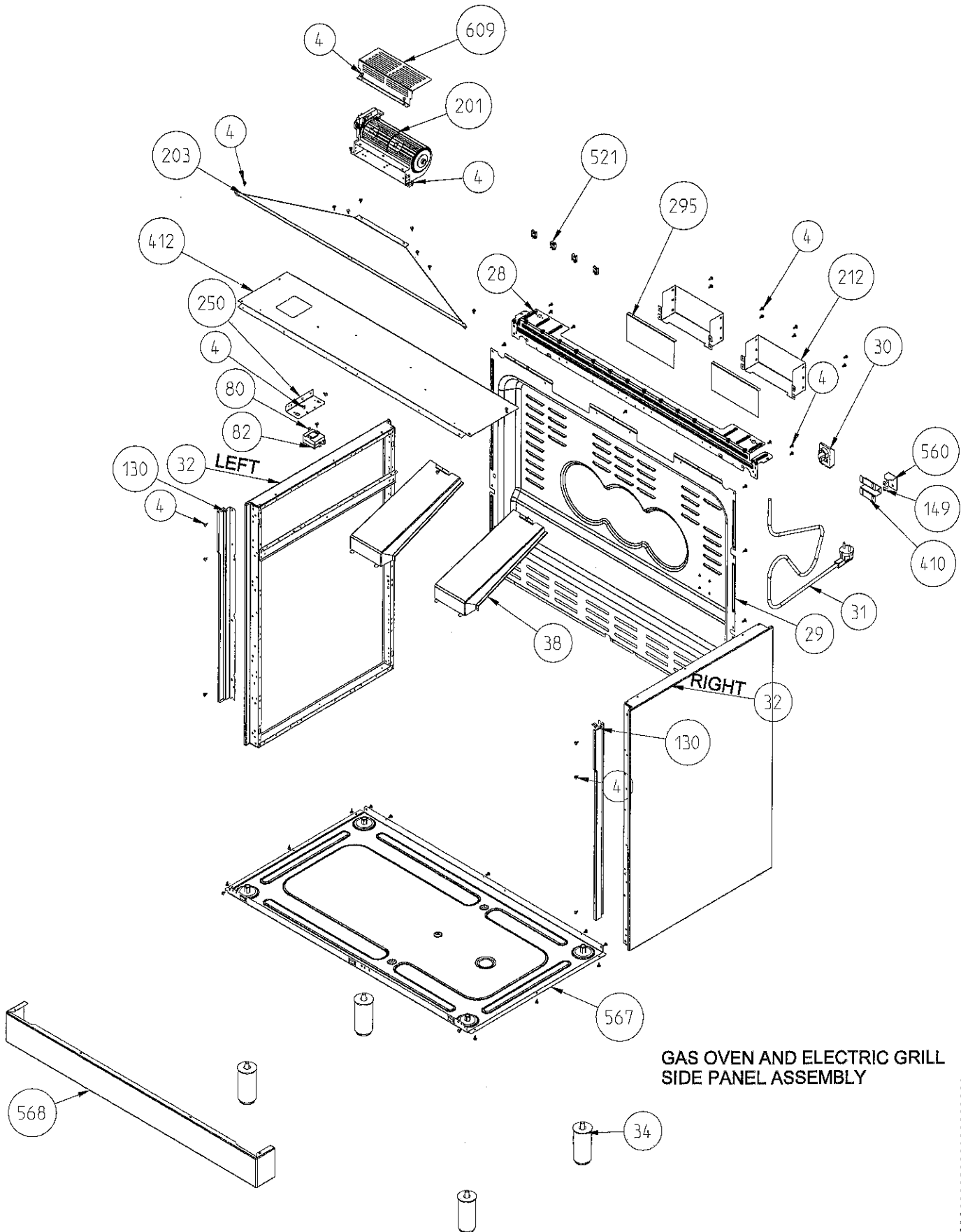
"The exploded views given in this document are generic.They include all possible versions of the product.
For specific part codes,please refer to the bom list of regarding model."

90 CM FREE STANDING GAS COOKER SIDE PANEL ASSEMBLY



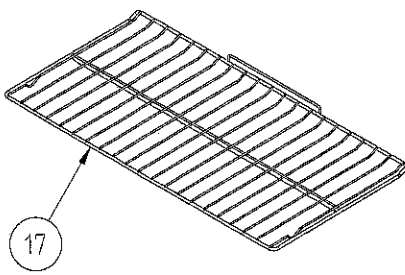
**GAS OVEN AND GAS GRILL
SIDE PANEL ASSEMBLY**

90 CM FREE STANDING GAS COOKER SIDE PANEL ASSEMBLY

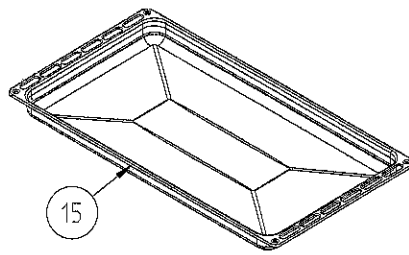


**GAS OVEN AND ELECTRIC GRILL
SIDE PANEL ASSEMBLY**

"The exploded views given in this document are generic. They include all possible versions of the product. For specific part codes, please refer to the bom list of regarding model."

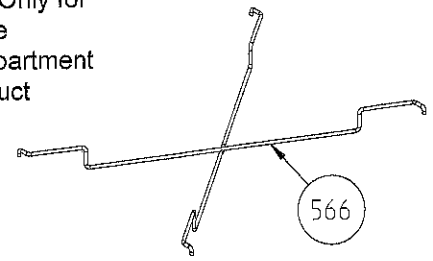


GRID

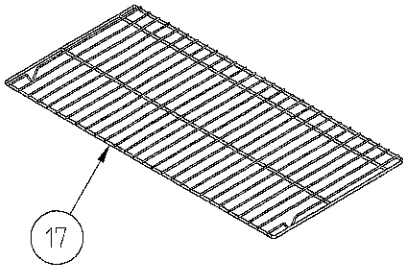


TRAY (DEEP)

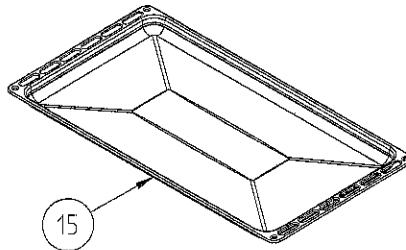
Use Only for
bottle
compartment
product



TUBE HOLDER WIRE

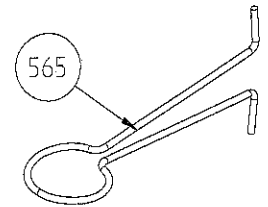


GRID (96,W.TELESCOPIC RAIL)

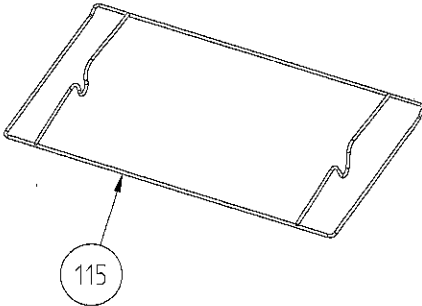


TRAY(SHALLOW)

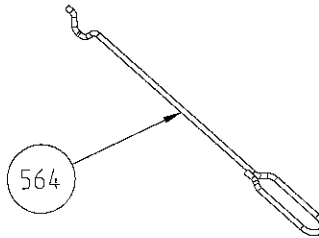
Use Only for
bottle
compartment
product



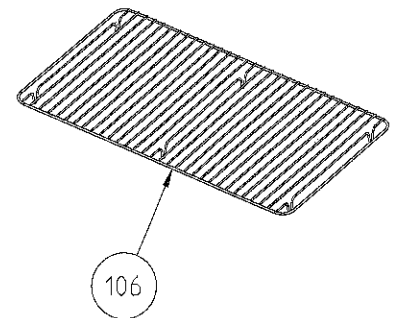
HOSE HOLDER WIRE



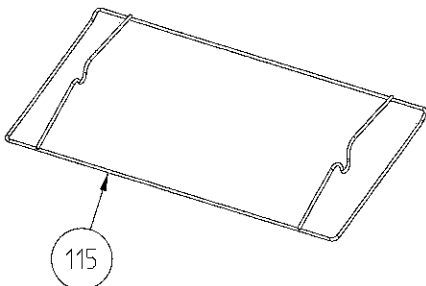
TURNSPIT GRID (MOULDED)



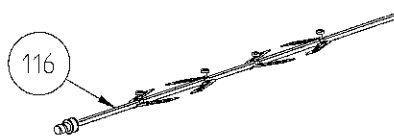
TURNSPIT HOLDER WIRE



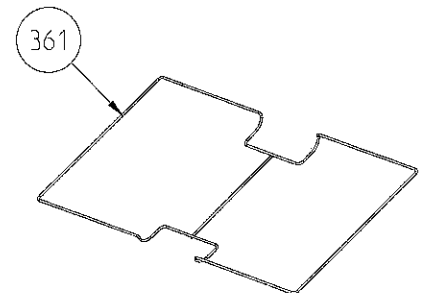
DEEP TRAY GRID



TURNSPIT GRID (TELESCOPIC RAIL)



TURNSPIT SKEWER



TELESCOPIC RAIL WIRE