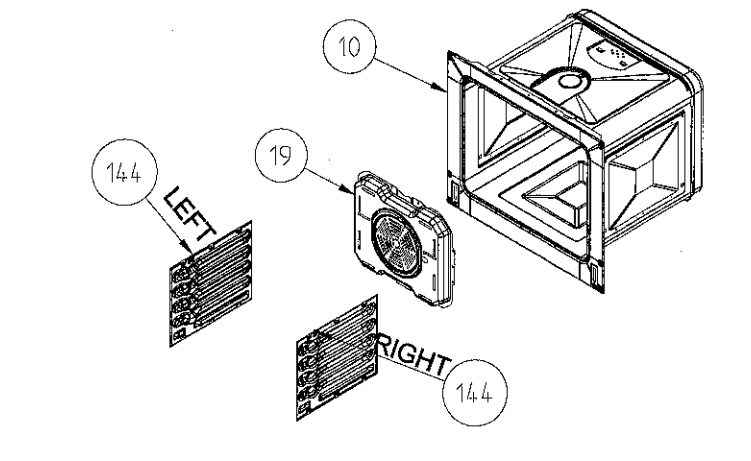
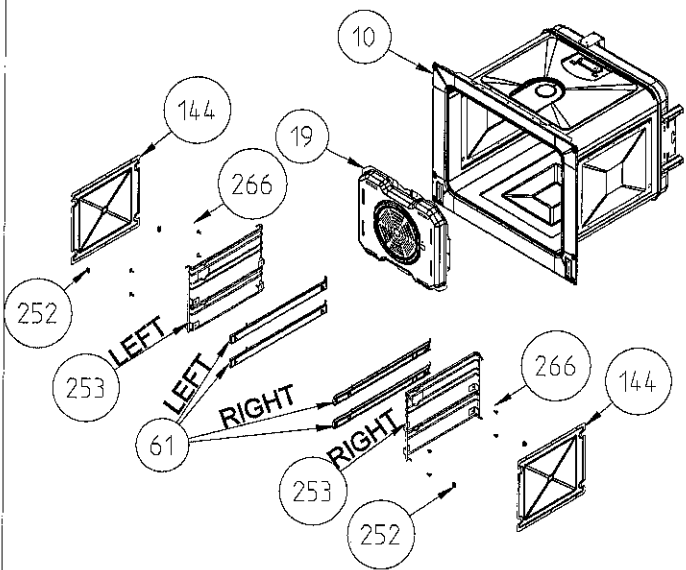


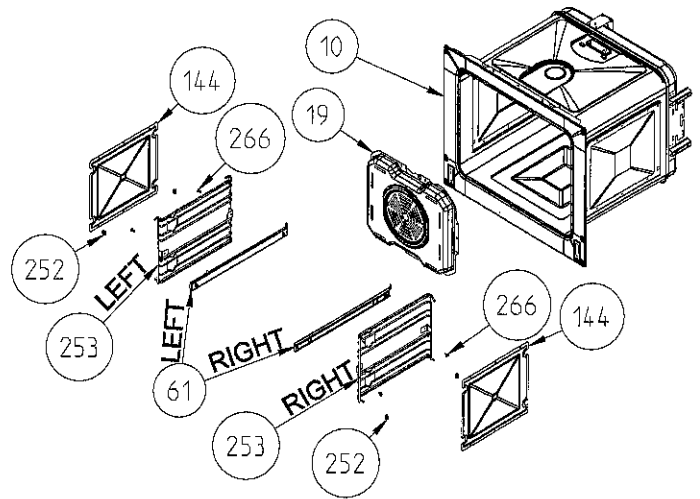
WIRE SHELF CAVITY ASSEMBLY WITH / WITHOUT CATALYTIC PANEL (OPTIONAL)



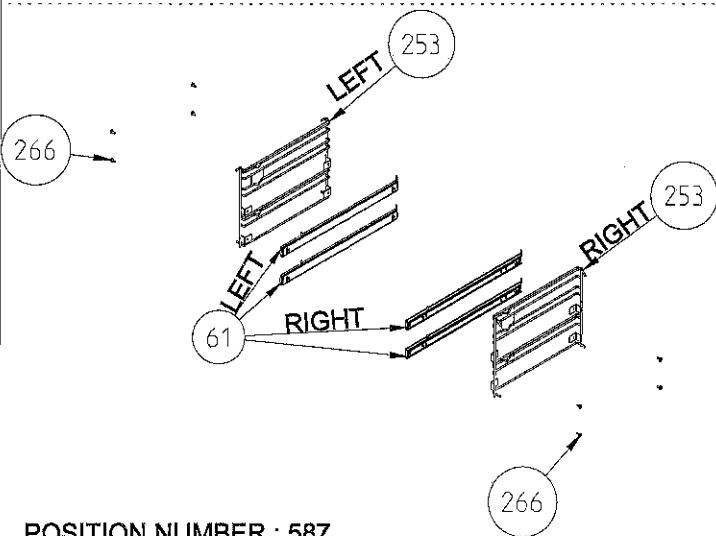
CAVITY ASSEMBLY WITH CATALYTIC SHELF (OPTIONAL)



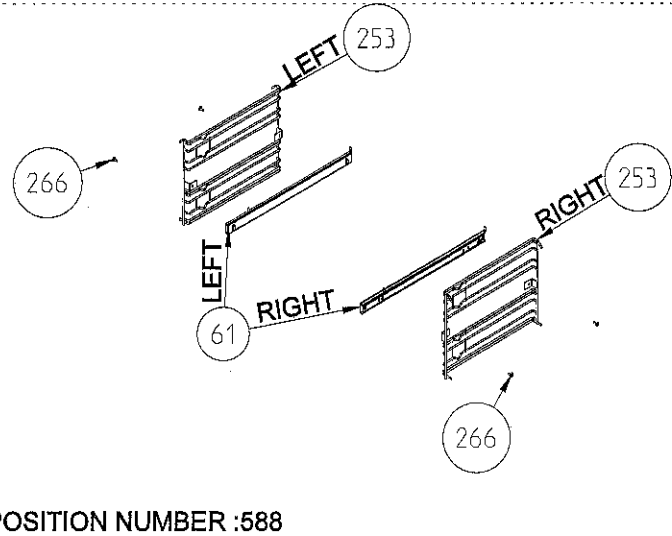
WIRE SHELF CAVITY ASSEMBLY
WITH/ WITHOUT CATALYTIC PANEL
OPTIONAL:DOUBLE TELESCOPIC RAIL (R / L)



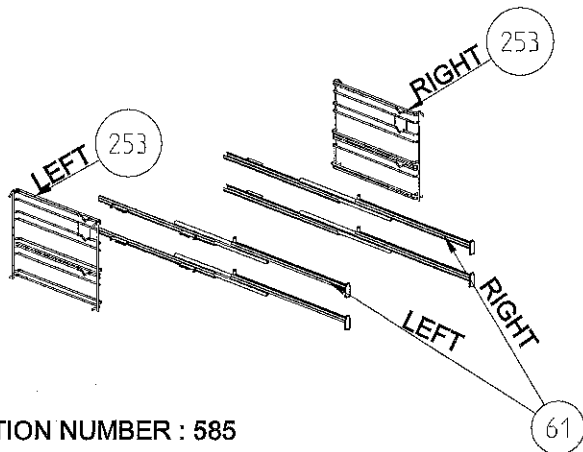
WIRE SHELF CAVITY ASSEMBLY
WITH/ WITHOUT CATALYTIC PANEL
OPTIONAL:TELESCOPIC RAIL (R / L)



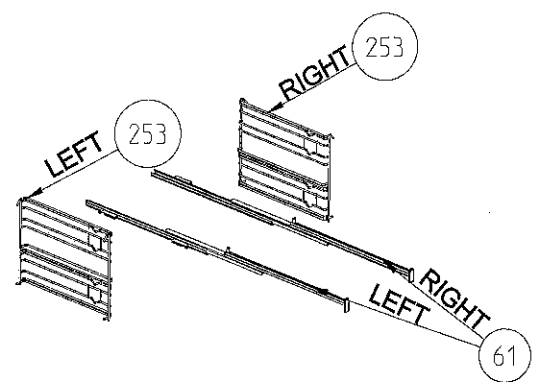
POSITION NUMBER : 587
WIRE SHELF
OPTIONAL:DOUBLE TELESCOPIC RAIL (R / L) GROUP



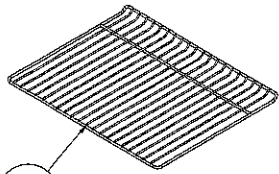
POSITION NUMBER :588
WIRE SHELF
OPTIONAL: SINGLE TELESCOPIC RAIL (R / L) GROUP



POSITION NUMBER : 585
WIRE SHELF
OPTIONAL:DOUBLE TELESCOPIC RAIL (R / L) GROUP

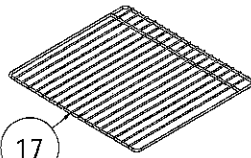


POSITION NUMBER: 586
WIRE SHELF
OPTIONAL: SINGLE TELESCOPIC RAIL (R / L) GROUP



17

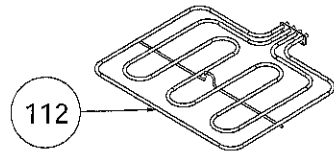
LOCKED



17

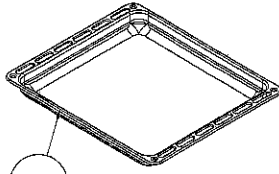
W. TELESCOPIC RAIL

GRID (OPTIONAL)



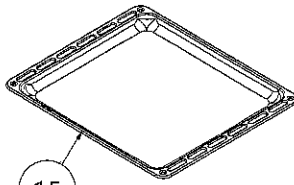
112

TOP AND GRILL HEATING ELEMENT (OPTIONAL)



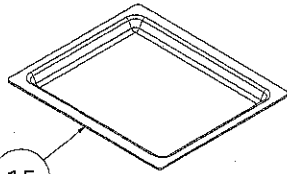
15

DEEP



15

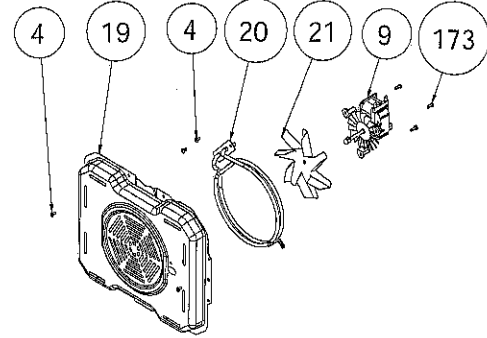
SHALLOW



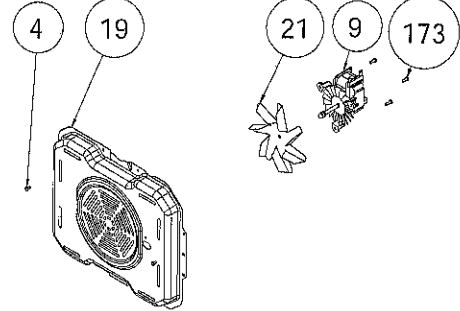
15

GLASS

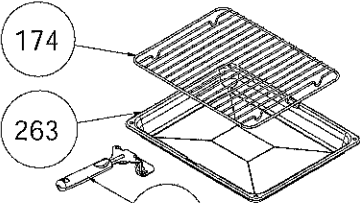
TRAYS (OPTIONAL)



RING HEATING ELEMENT WITH FAN (OPTIONAL)



(FAN COVER/ FAN IMPELLER(6 WINGS) / FAN MOTOR) (OPTIONAL)

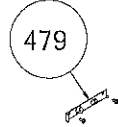


174

263

264

GRILL PAN AND HANDLE SET (TRAY SET FOR GRILL) - POSITION NO 265 (OPTIONAL)



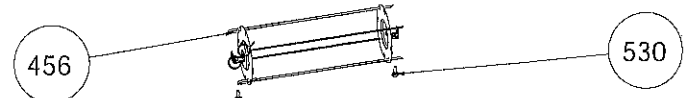
479

THERMIST BULB HOLDER/BACKET



116

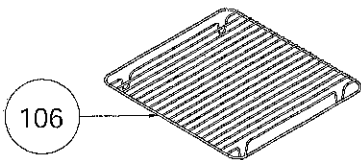
TURNSPIT SKEWER



456

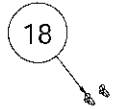
530

SHISH KEBAB ACCESSORY (OPTIONAL)

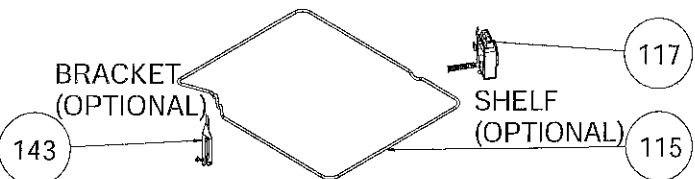


106

DEEP TRAY GRID (OPTIONAL)



18



143

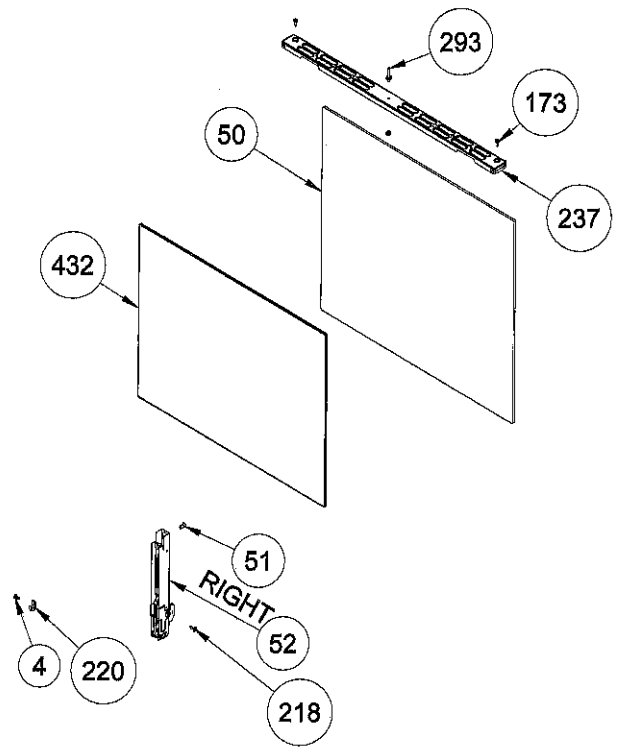
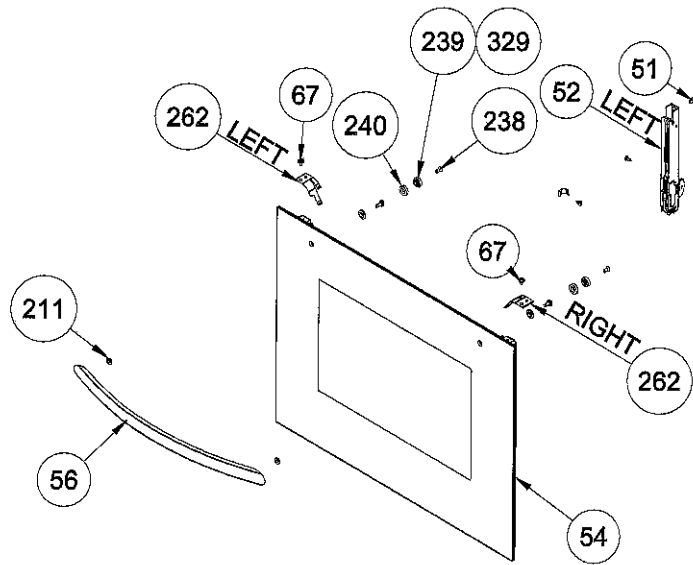
117

115

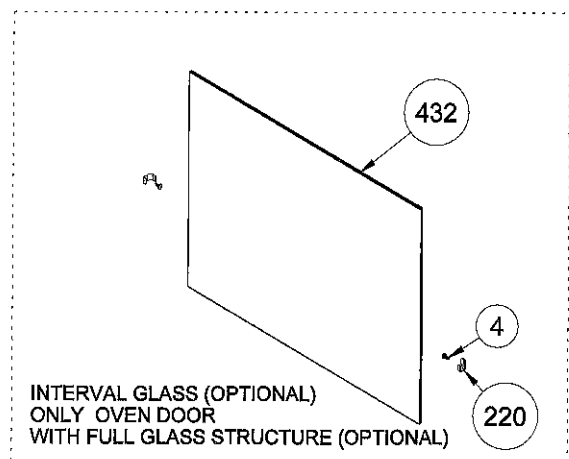
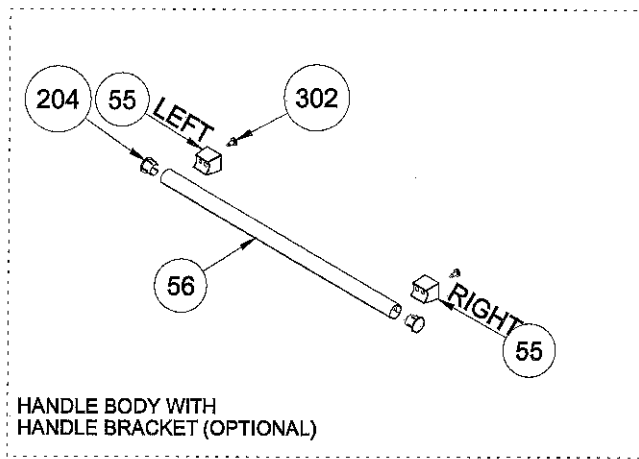
TURNSPIT (OPTIONAL)

OVEN DOOR ASSEMBLY EXPLODED VIEW (OPTIONAL)

POSITION
NUMBER :377
(DOOR)

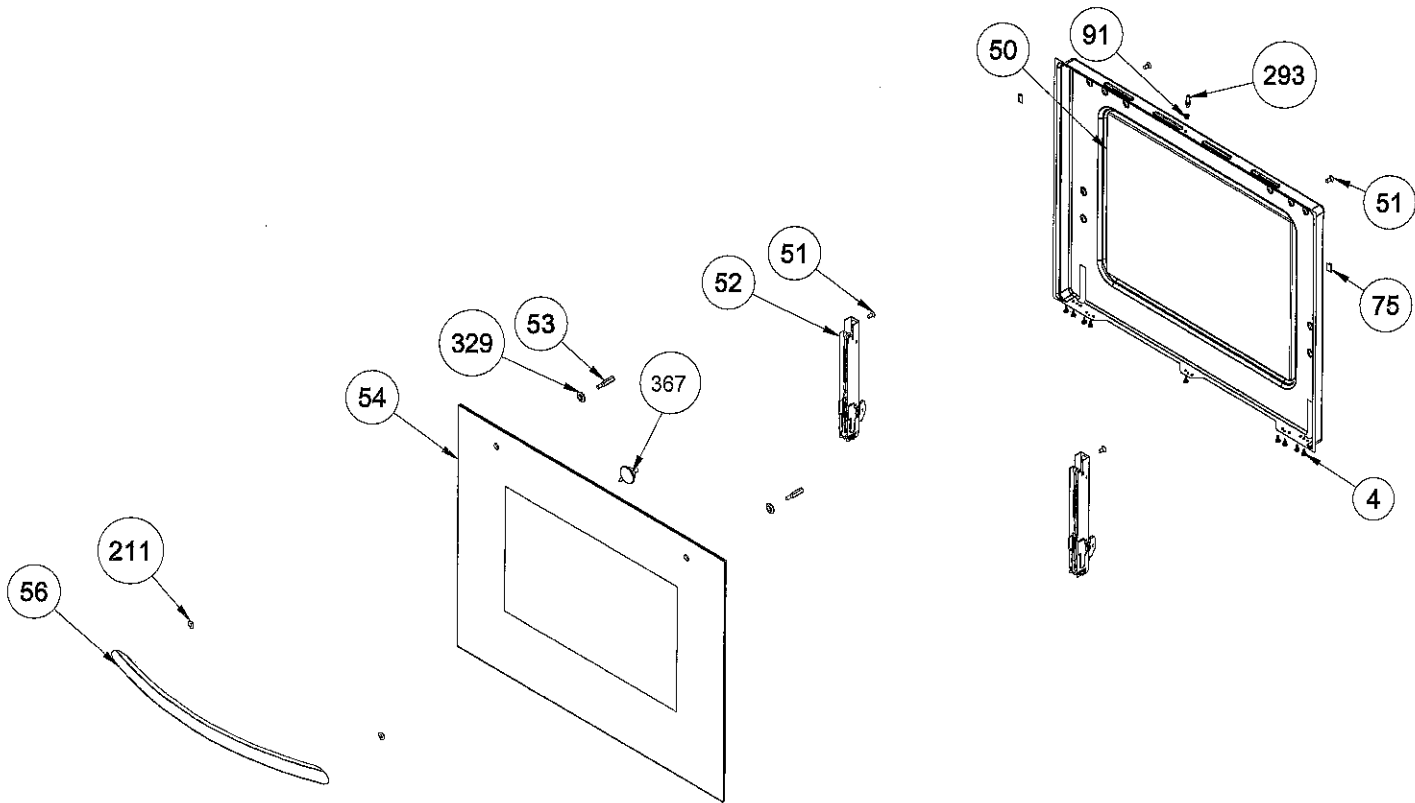


Note :
220,239,240,432 is for Removable Third Glass Versions
262,67 is for Removable Glass Versions



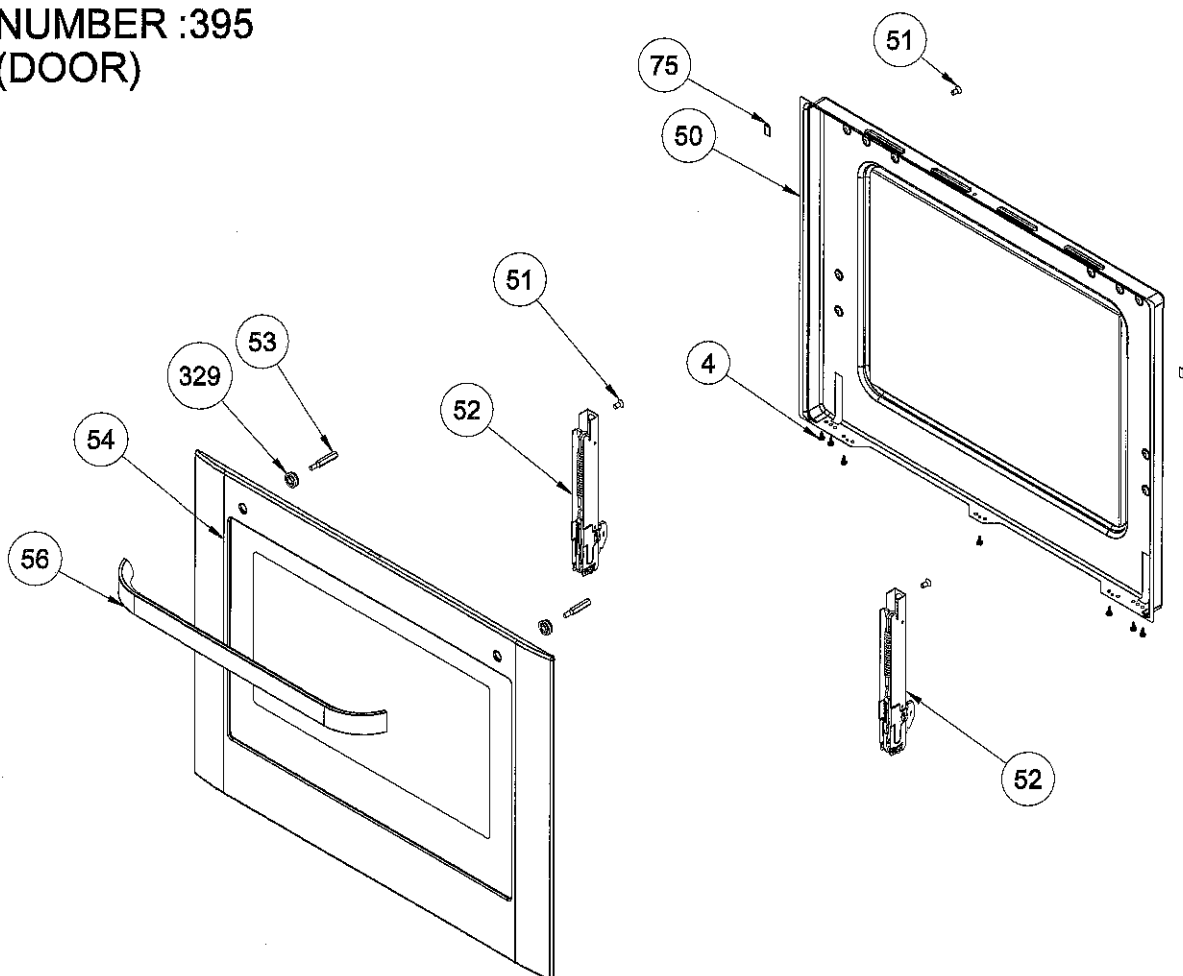
SOLID TYPE OVEN DOOR ASSEMBLY EXPLODED VIEW
(FRONT VIEW OF GLASS)
(OPTIONAL)

POSITION
NUMBER :376
(DOOR)

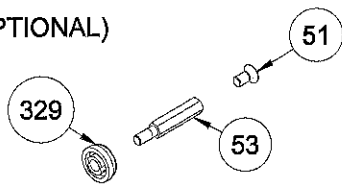


SOLID TYPE OVEN DOOR ASSEMBLY EXPLODED VIEW (FRONT VIEW OF METAL WITH GLASS) (OPTIONAL)

POSITION
NUMBER :395
(DOOR)

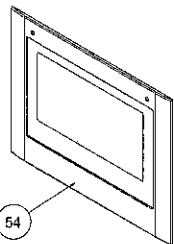


(OPTIONAL)

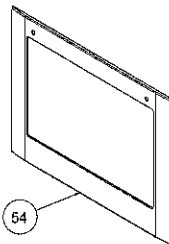


TYPE 1

HANDLE ASSEMBLY GROUP
POSITION NUMBER : 49
(OPTIONAL)



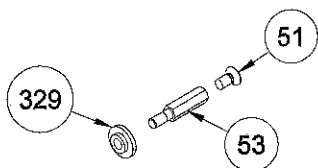
OBLIQUE AESTHETIC



FLAT AESTHETIC

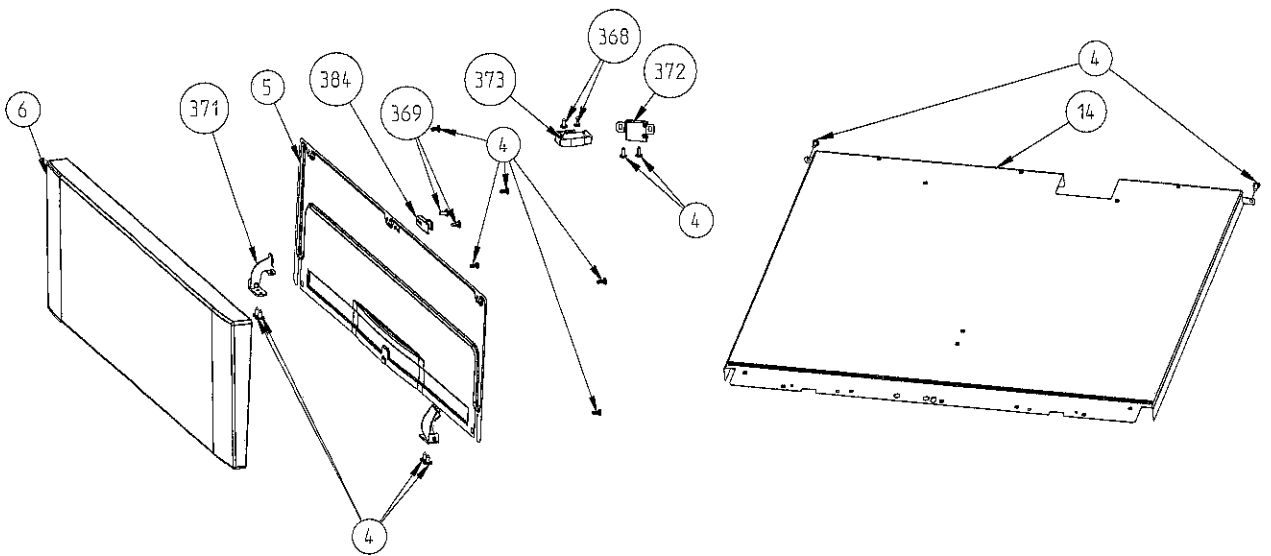
SOLID TYPE - POSITION NO 54 (OPTIONAL)

(OPTIONAL)

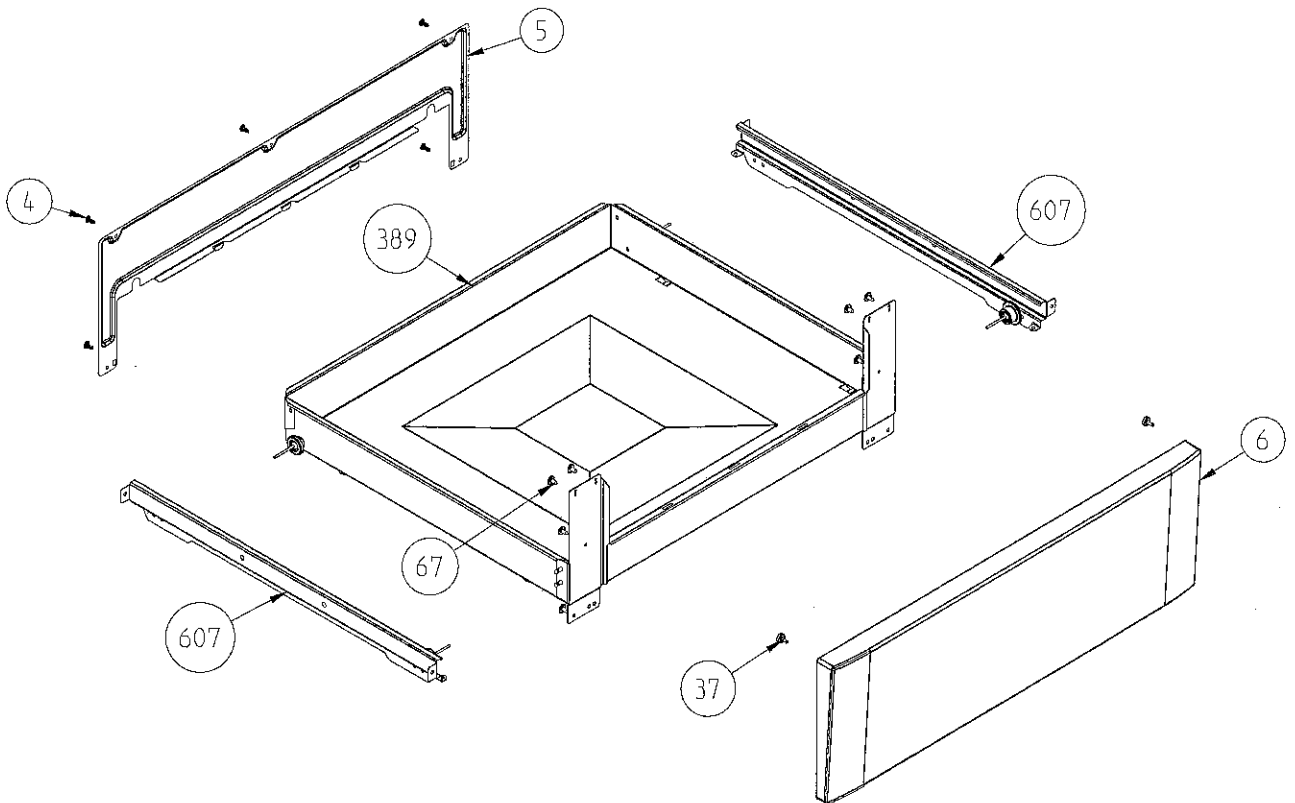


TYPE 2

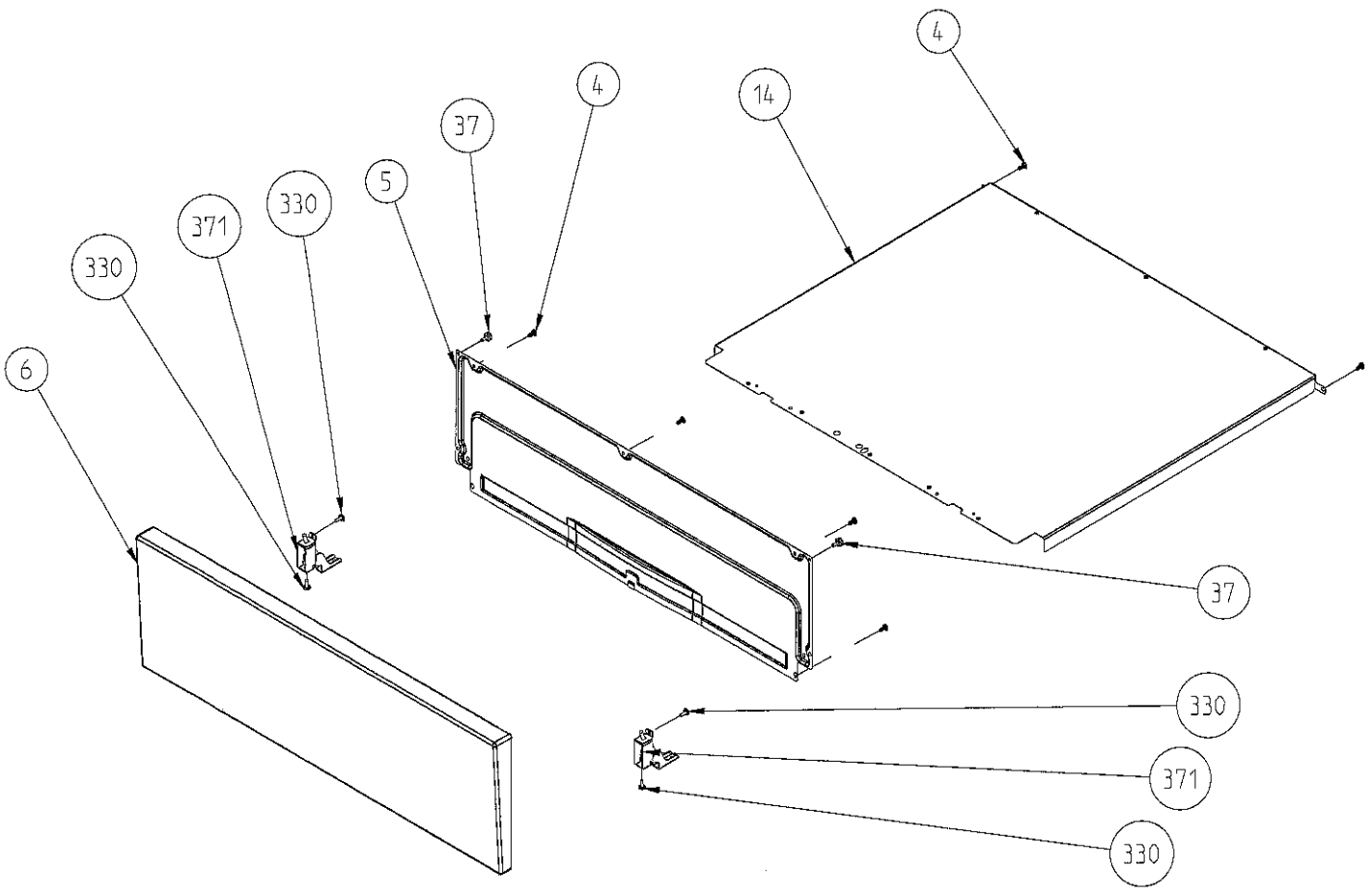
HANDLE ASSEMBLY GROUP
POSITION NUMBER : 49
(OPTIONAL)



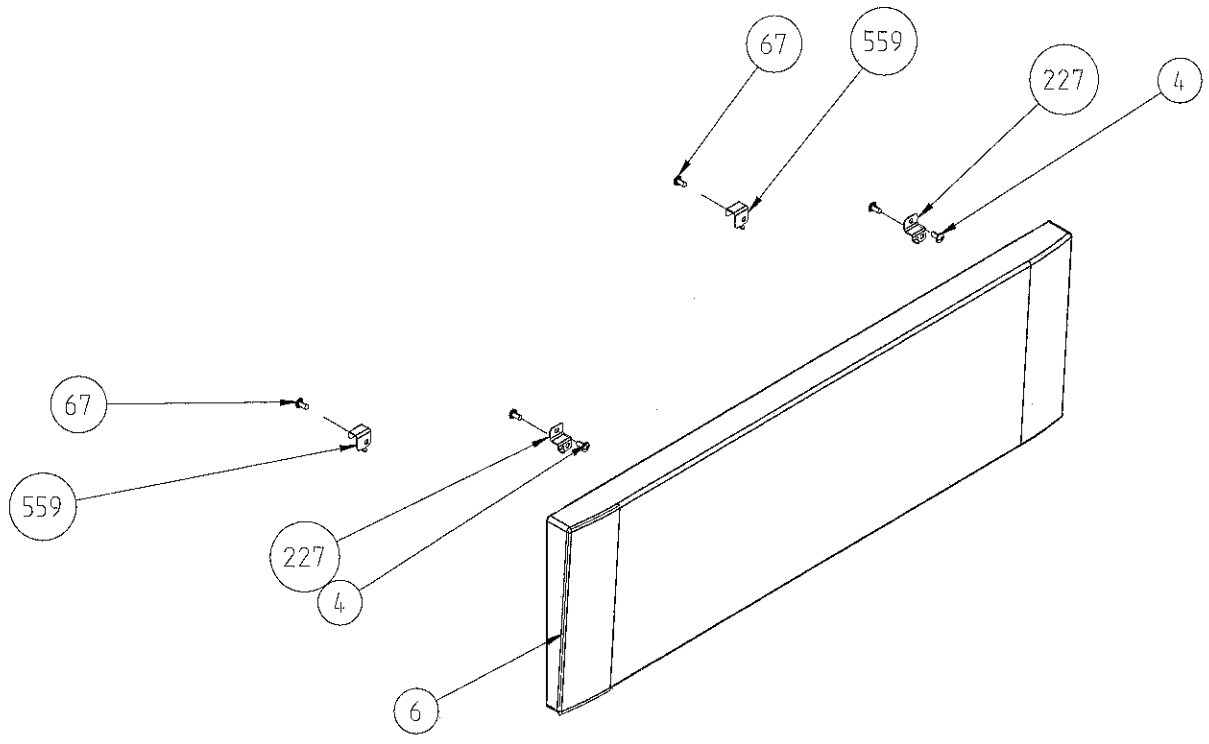
PUSH PULL FLAP DRAWER ASSEMBLY (OPTIONAL)



4WG DRAWER ASSEMBLY (OPTIONAL)



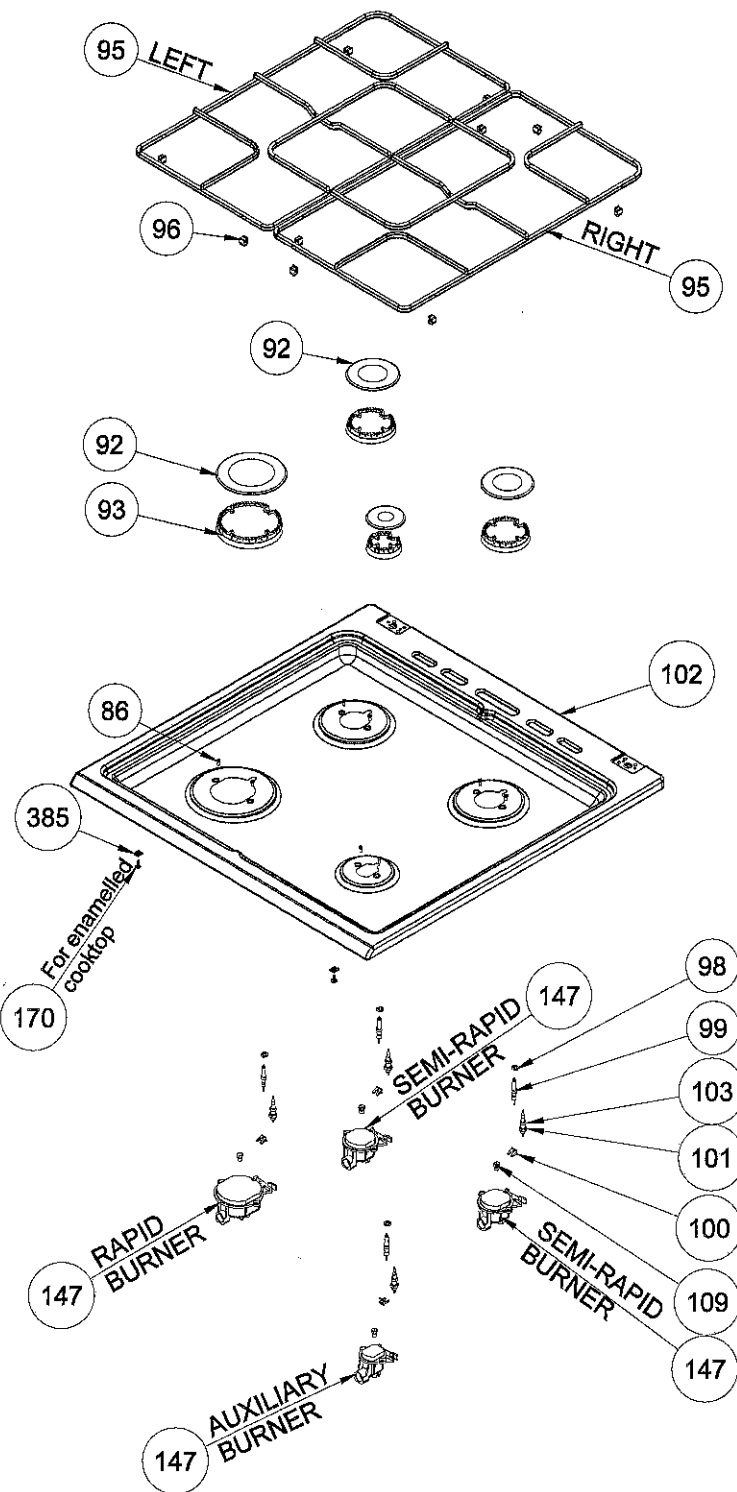
YNTB FLAP DRAWER ASSEMBLY



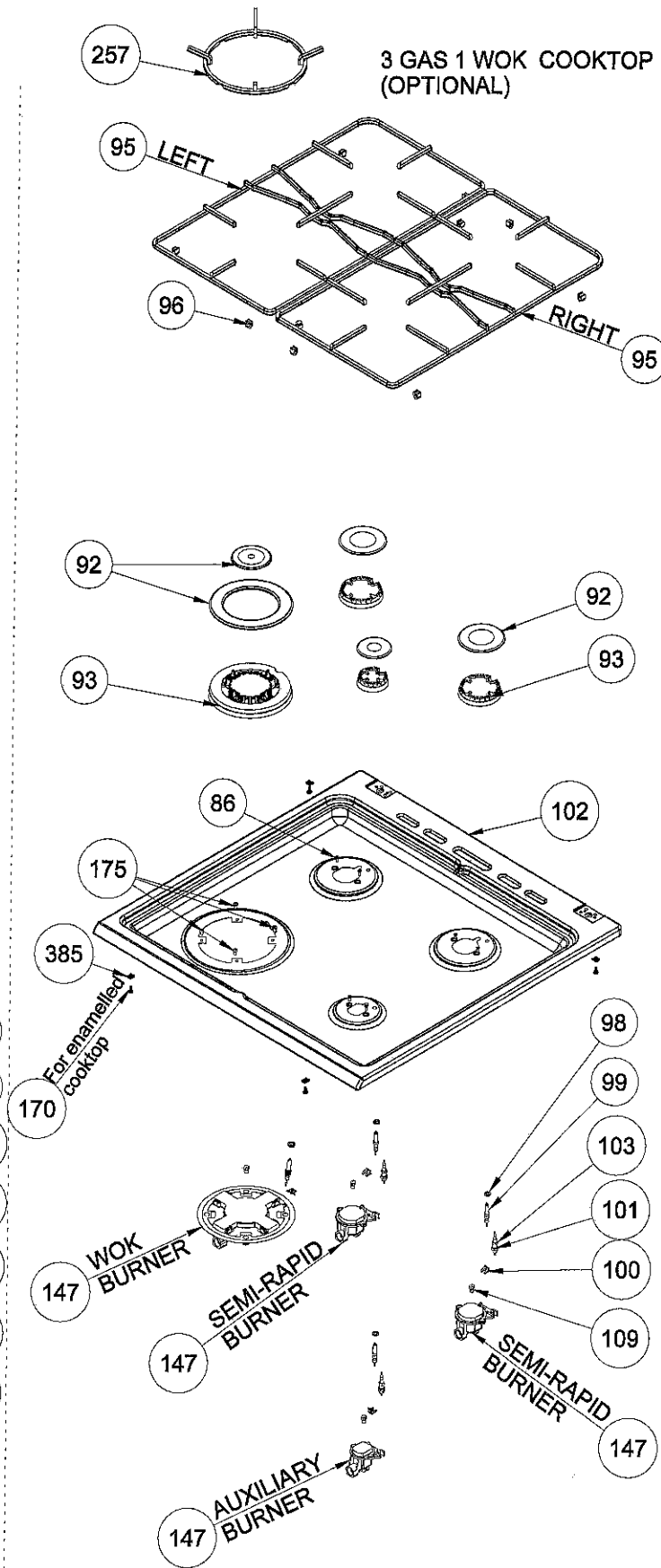
FIXED DRAWER ASSEMBLY
(OPTIONAL)

FREE STANDING COOKTOP VERSIONS

4 GAS COOKTOP (OPTIONAL)



3 GAS 1 WOK COOKTOP (OPTIONAL)

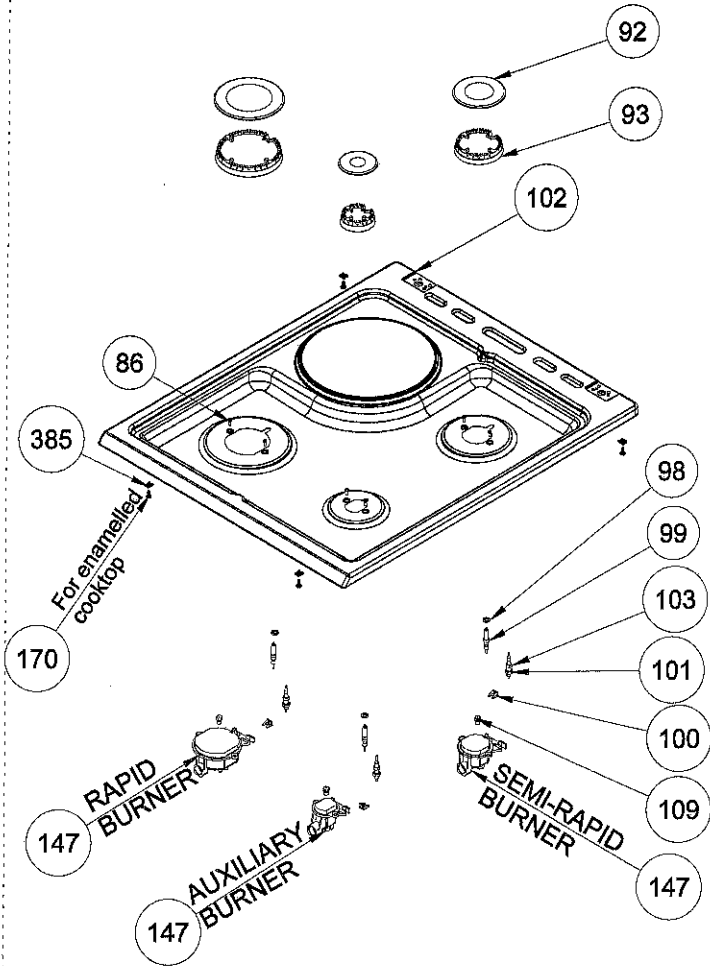
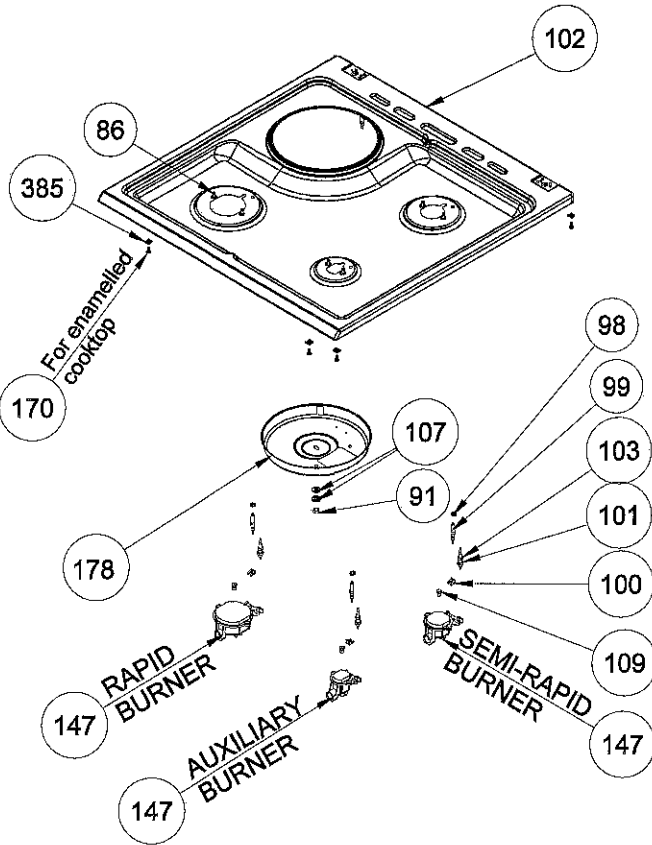
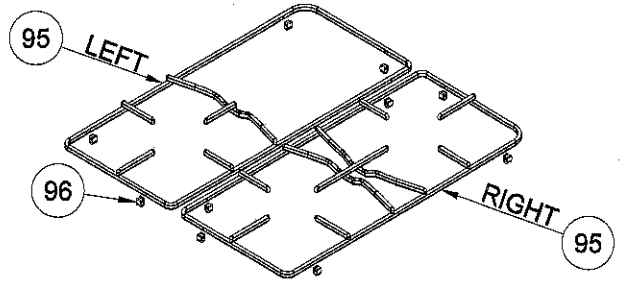
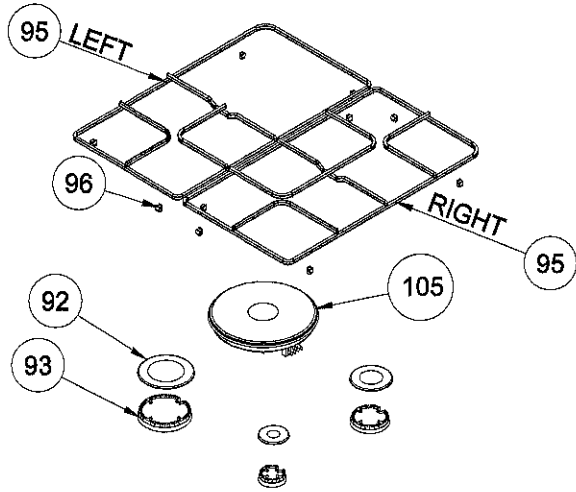


The exploded views given in this document are generic. They include all possible versions of the product. For specific part codes please refer to the bom list of regarding model.

FREE STANDING COOKTOP VERSIONS

3 GAS 1 ELECTRIC COOKTOP (OPTIONAL)

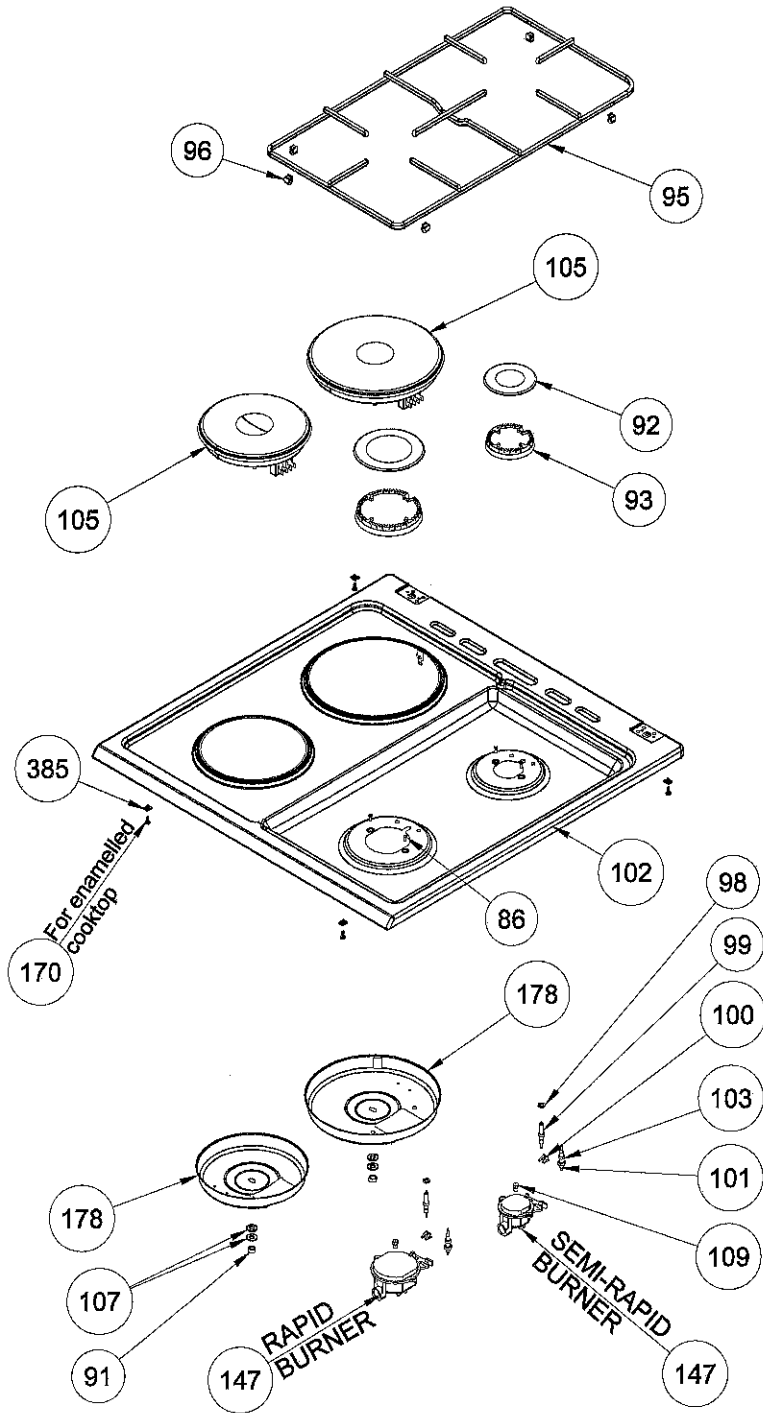
3 GAS COOKTOP (OPTIONAL)



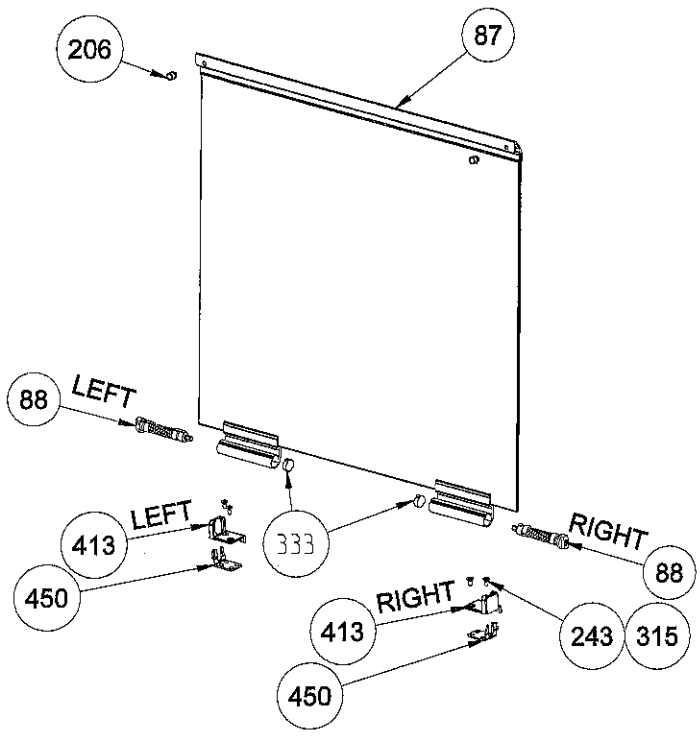
The exploded views given in this document are generic. They include all possible versions of the product. For specific part codes please refer to the bom list of regarding model.

FREE STANDING COOKTOP VERSIONS

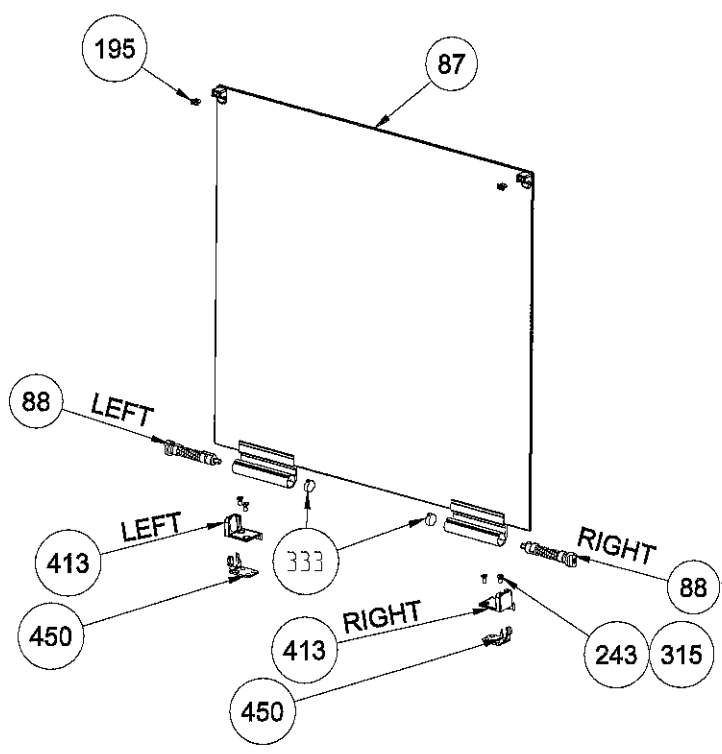
2 GAS 2 ELECTRIC COOKTOP (OPTIONAL)



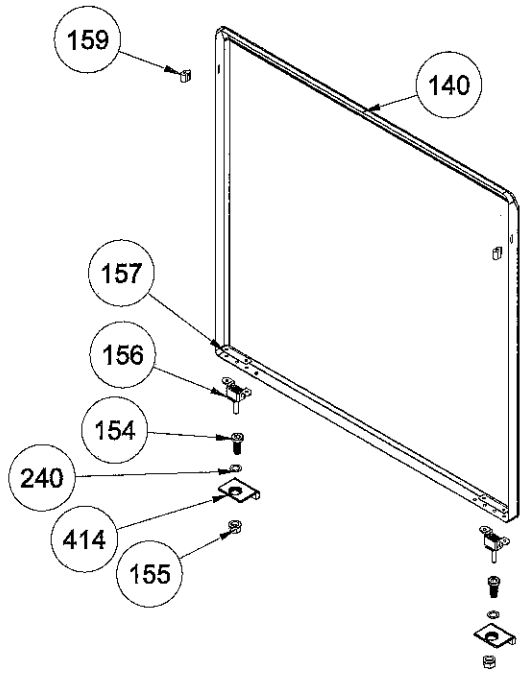
The exploded views given in this document are generic. They include all possible versions of the product. For specific part codes please refer to the bom list of regarding model.



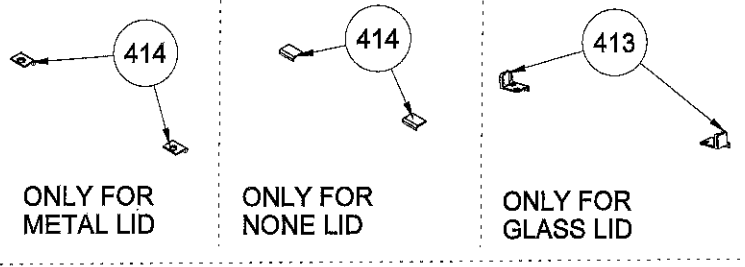
GLASS LID WITH SHORT PROFILE
(OPTIONAL)

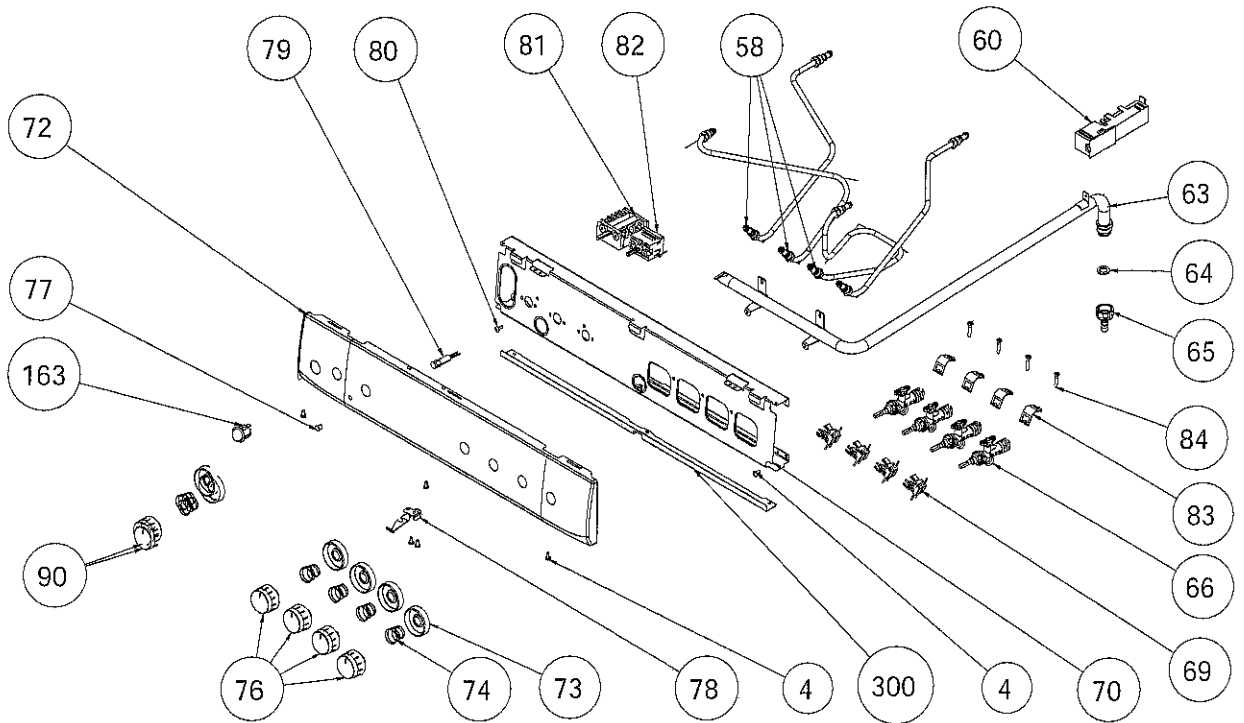


GLASS LID WITH BUMPER
(OPTIONAL)

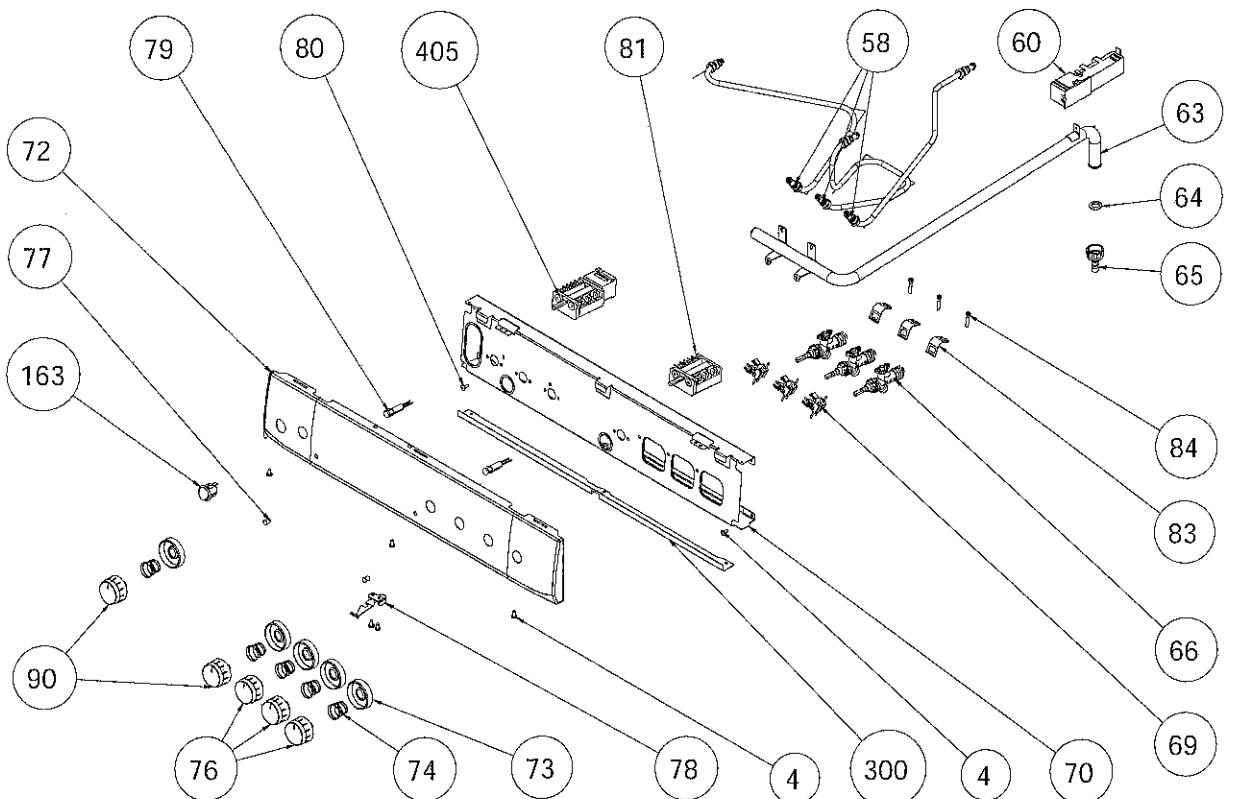


METAL LID (OPTIONAL)
POSITION NUMBER :153

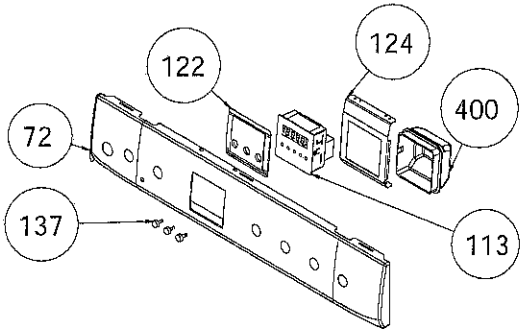




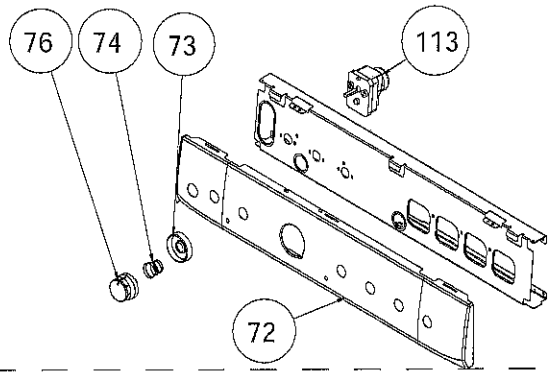
3D- 4GAS - NO TIMER CONTROL PANEL ASSEMBLY



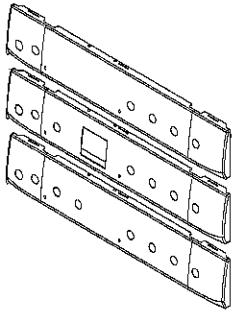
3D- 3GAS+1ELECTRIC - NO TIMER CONTROL PANEL ASSEMBLY



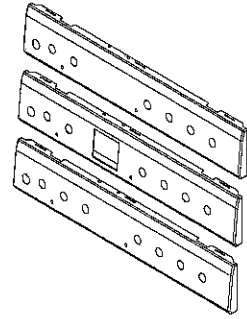
DIGITAL TIMER (OPTIONAL)



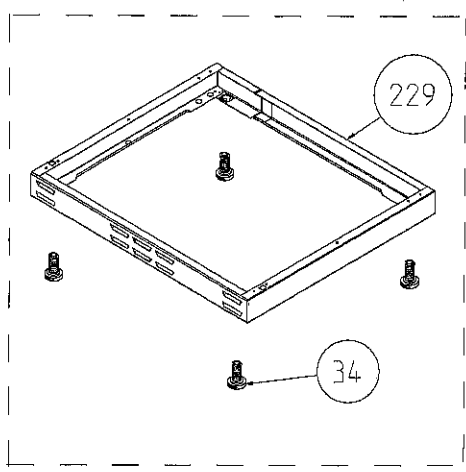
MECHANIC TIMER (OPTIONAL)



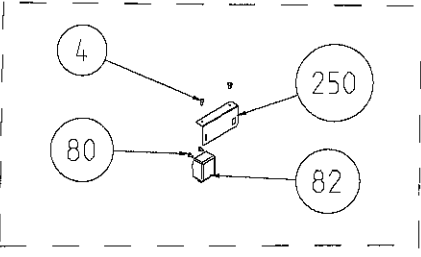
3D METAL CONTROL PANELS
(OPTIONAL)



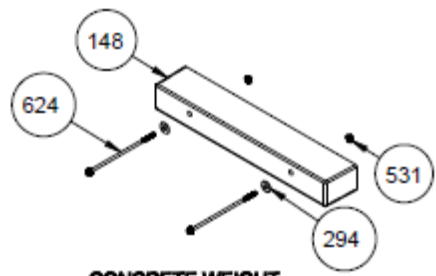
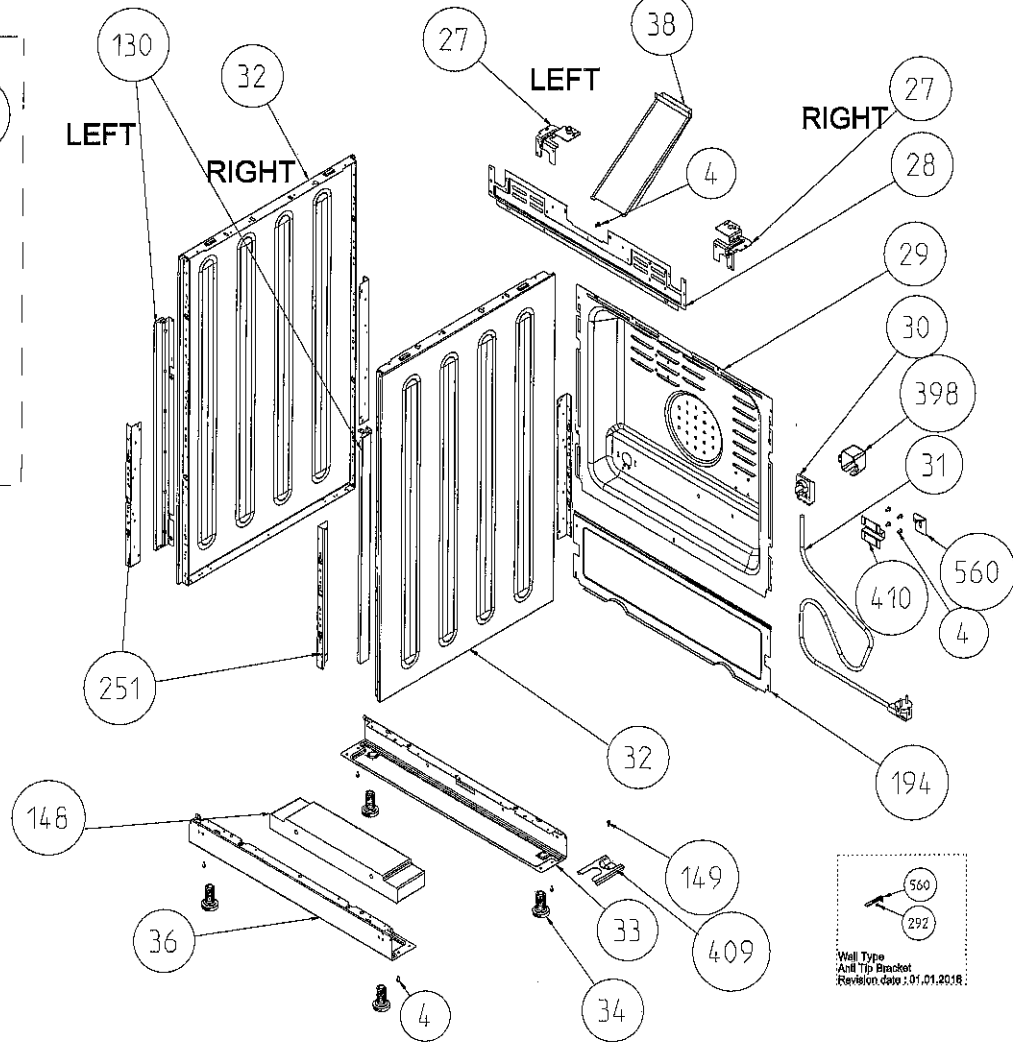
FLAT METAL CONTROL PANELS
(OPTIONAL)



**EXTRA BOTTOM SUPPORT
(WITH LOUVRES)**

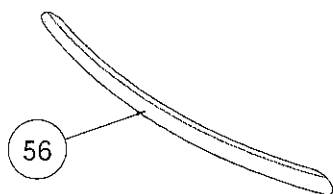


**(OPTIONAL ONLY FOR
ELECTRIC GRILL FS GAS)**

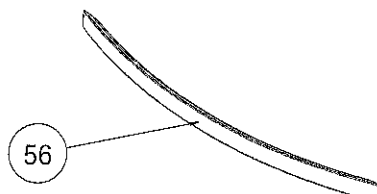


**CONCRETE WEIGHT
Revision date : 01.04.2017**

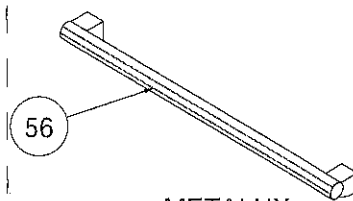
OVEN DOOR HANDLES (OPTIONAL)
HANDLES WITHOUT TAP & BRACKET



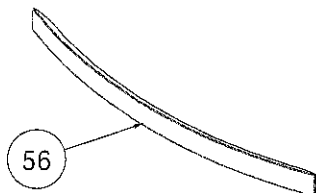
56
ELLIPSE ARC



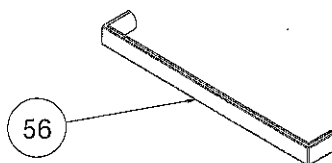
56
D PROFILE ARC



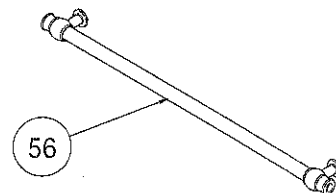
56
METALUX



56
D PROFILE ARC, ELECTROLUX
(ONLY FOR FS - OPTIONAL)

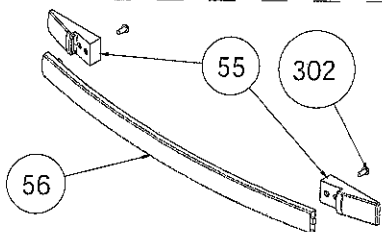


56
FNP (ONLY FOR BUILT-IN -
OPTIONAL)

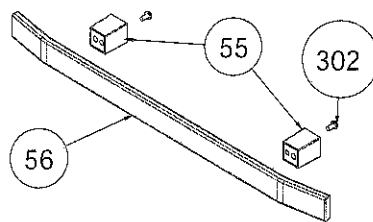


56
RUSTIC

HANDLES WITH BRACKET

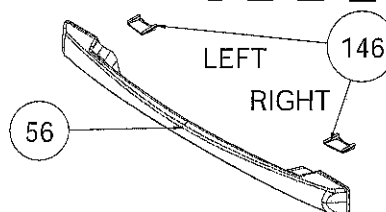


55 302
56
ARC QUADRANGLE



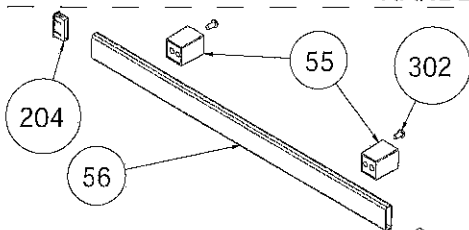
55 302
56
3D QUADRANGLE (ONLY FOR
FS/ NEW G/ BUILT-IN - OPTIONAL)

HANDLES WITH TUNNEL TAP

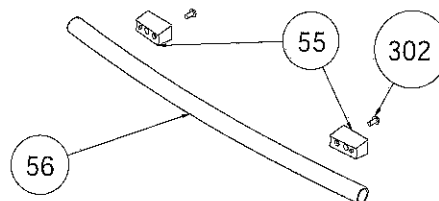


146
LEFT
RIGHT
56
NO FAN TYPE (ONLY FOR
BUILT-IN - OPTIONAL)

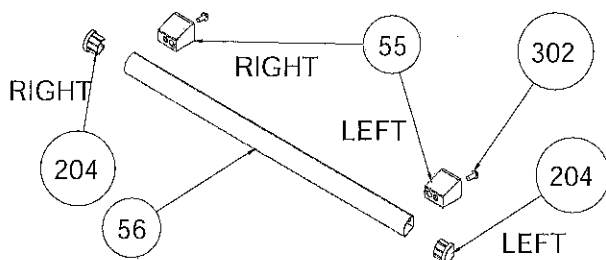
HANDLES WITH TAP & BRACKET



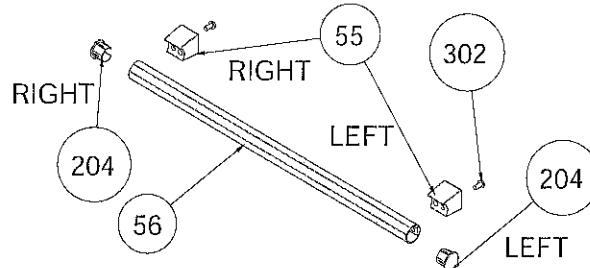
204 55 302
56
FLAT QUADRANGLE
(ONLY FOR FS/ NEW G/ BUILT-IN - OPTIONAL)



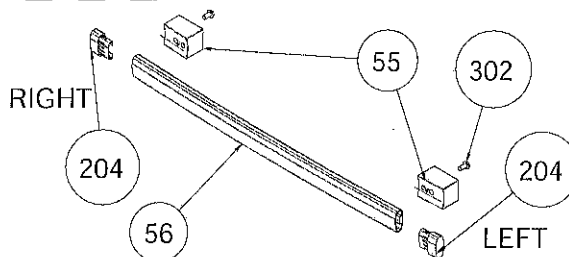
55 302
56
ARC TUBE



RIGHT 55 302
LEFT 204
56
FLAT SLICE

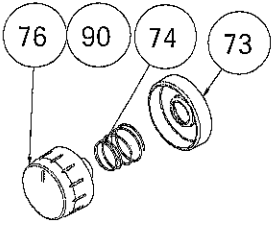


RIGHT 55 302
LEFT 204
56
TRIO

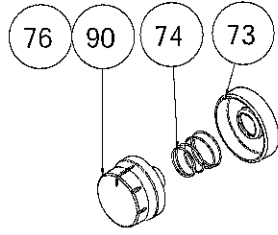


RIGHT 55 302
LEFT 204
56
CURVED QUADRANGLE

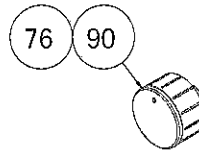
KNOBS (ONLY FOR NEW G - OPTIONAL)



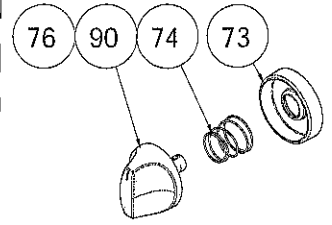
OMEGA



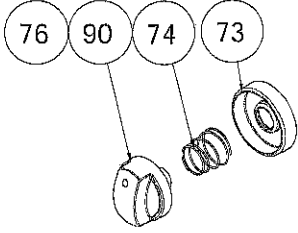
EPSILON



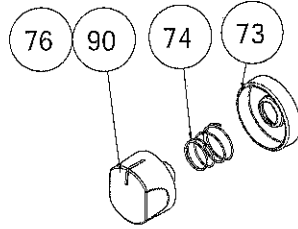
BIG MACRO
(ONLY FOR NEW G ELECTRIC/
NEW G VITROCERAMIC - OPTIONAL)



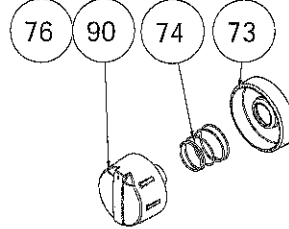
GAMA RING



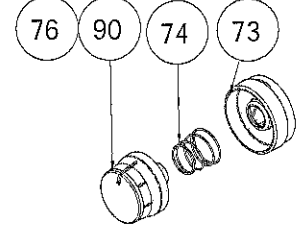
ECLIPSE RING



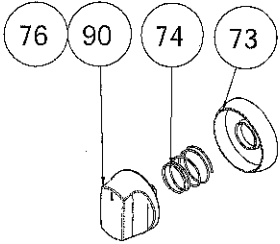
RIMO



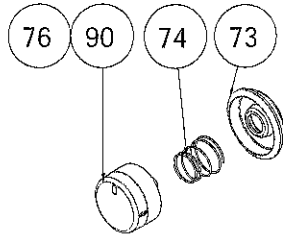
ANTERO



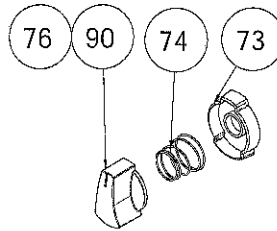
SPECTRUM



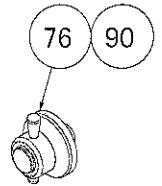
TRIO



SIGMA



DELTA RING



RUSTIC RISUS