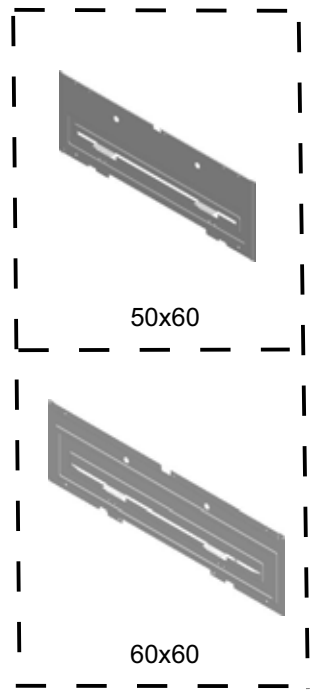
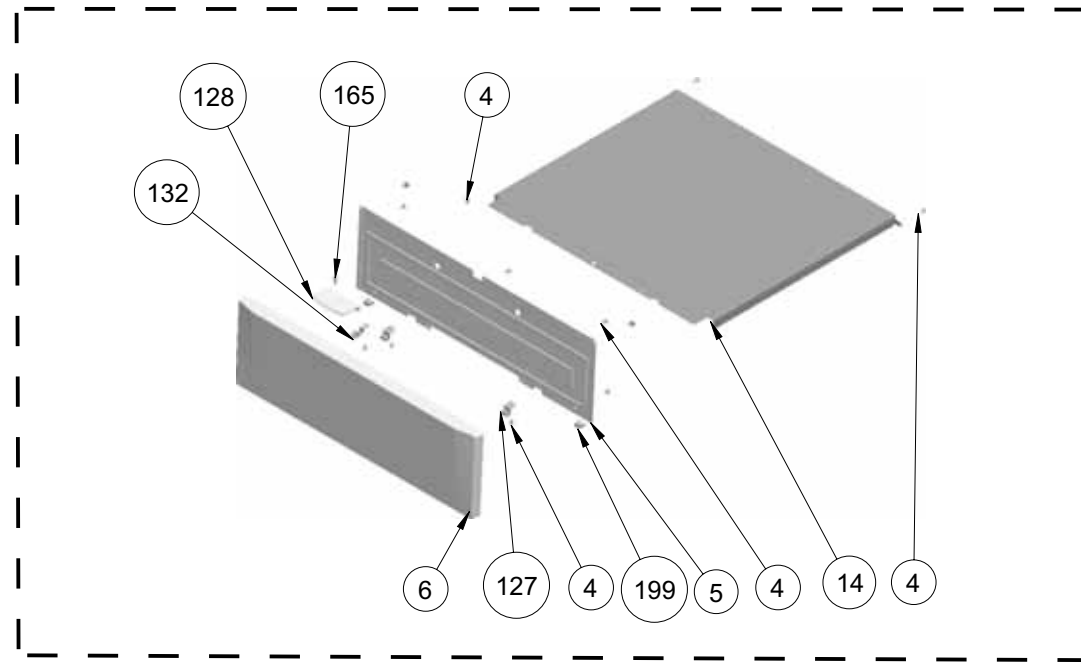


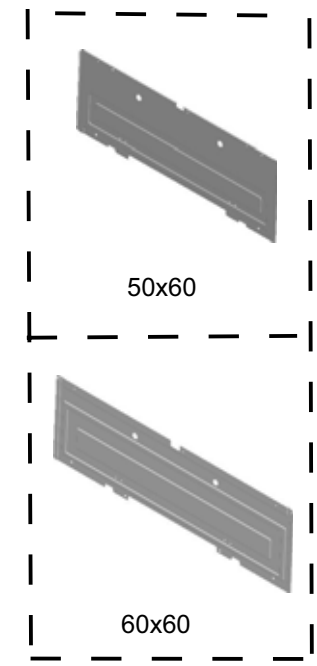
WARMER DRAWER ASSEMBLY



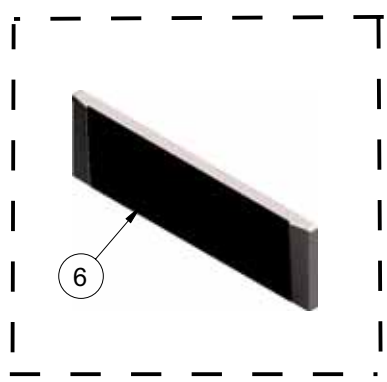
WARMER DRAWER INNER COVER



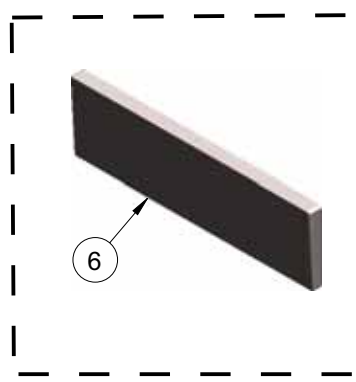
FLAP DRAWER ASSEMBLY (OPTIONAL)



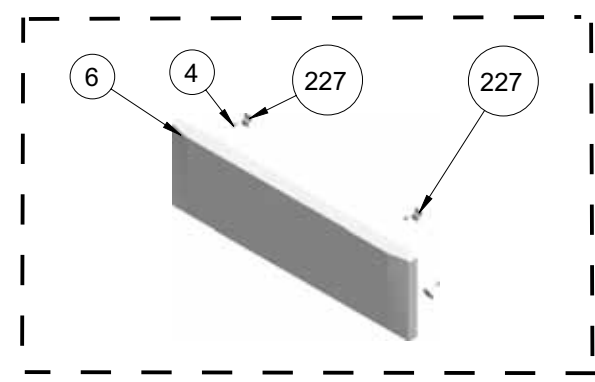
FLAP DRAWER INNER COVER



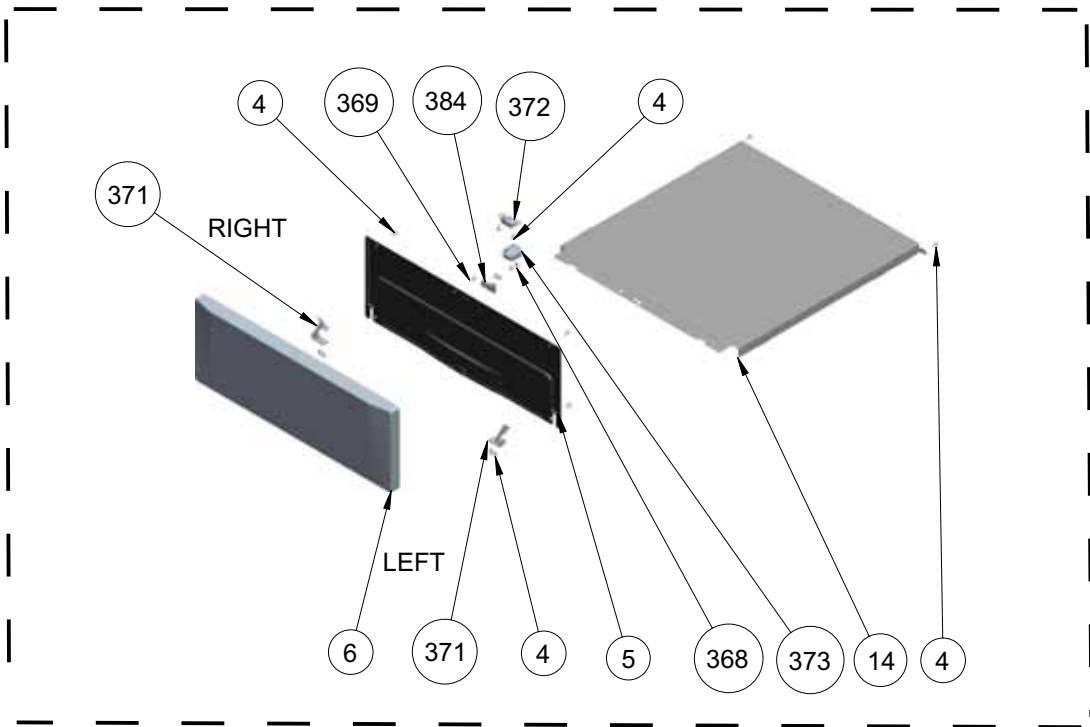
3D GLASS DRAWER PANEL (OPTIONAL)



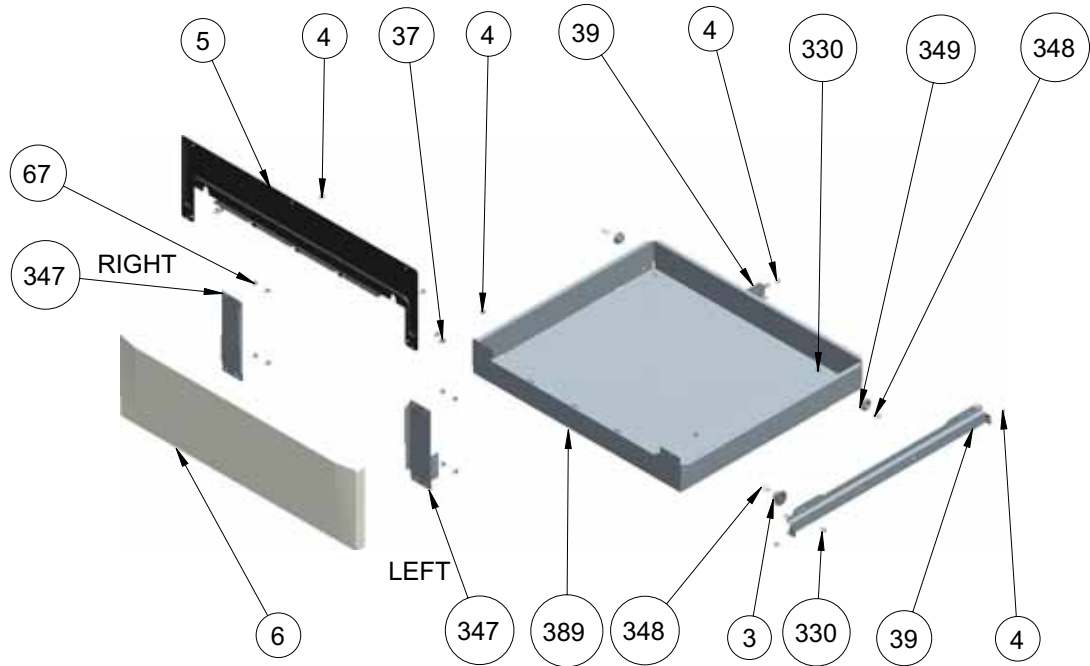
FLAT DRAWER PANEL (OPTIONAL)



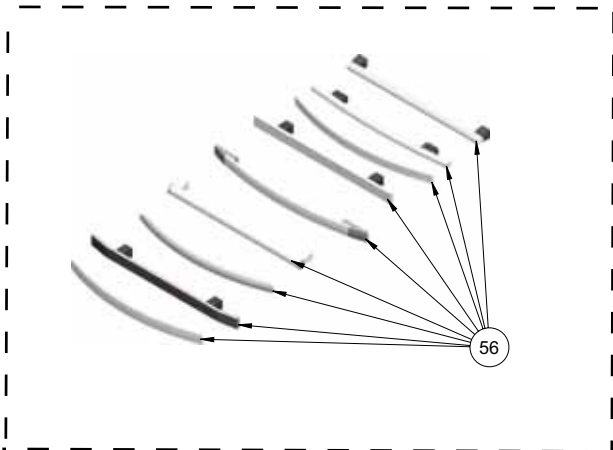
FIXED DRAWER ASSEMBLY (OPTIONAL)



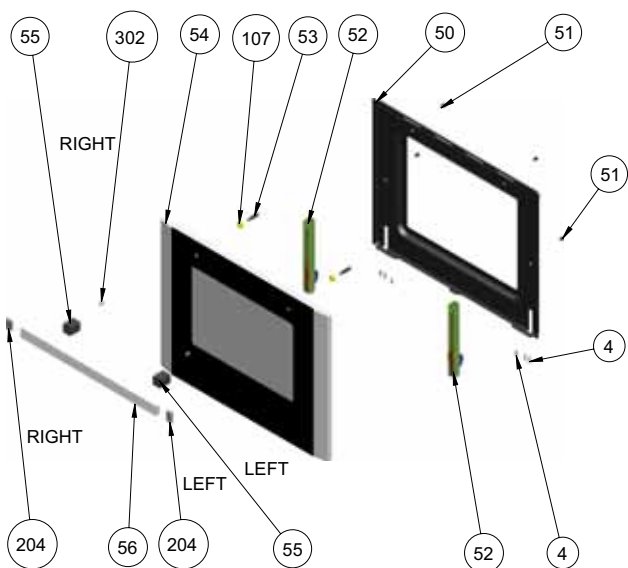
PUSH-PULL FLAP DRAWER ASSEMBLY
(OPTIONAL)



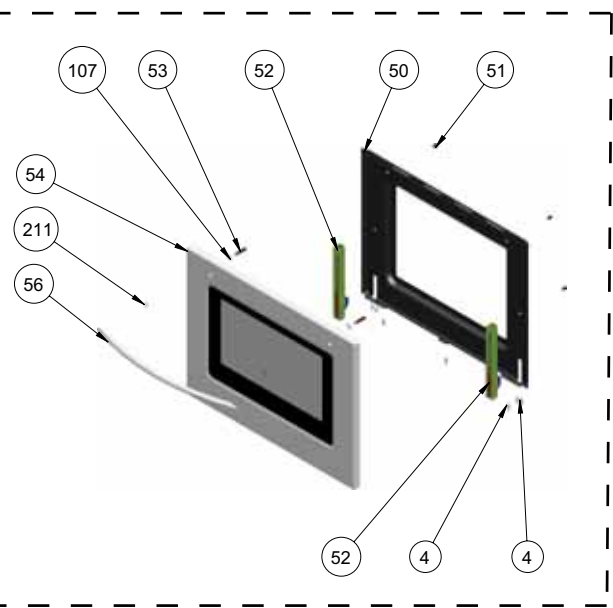
4WG DRAWER ASSEMBLY
(OPTIONAL)



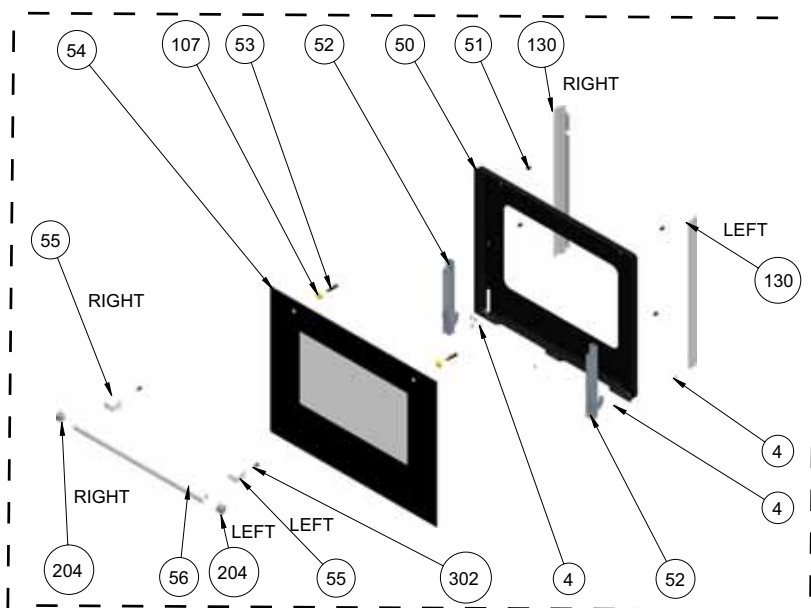
OVEN DOOR HANDLES
(OPTIONAL)



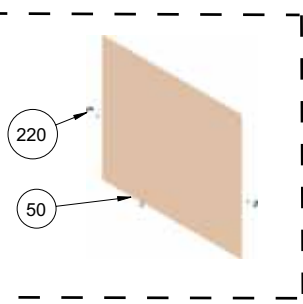
3D OVEN DOOR
(POSITION NO 374)



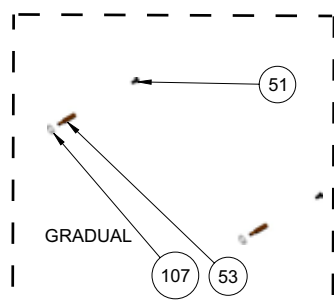
SOLID TYPE
(OPTIONAL)
(POSITION NO 375)



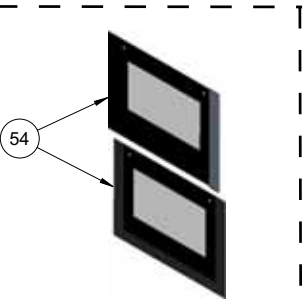
FLAT TYPE OVEN DOOR
(OPTIONAL)
(POSITION NO 376)



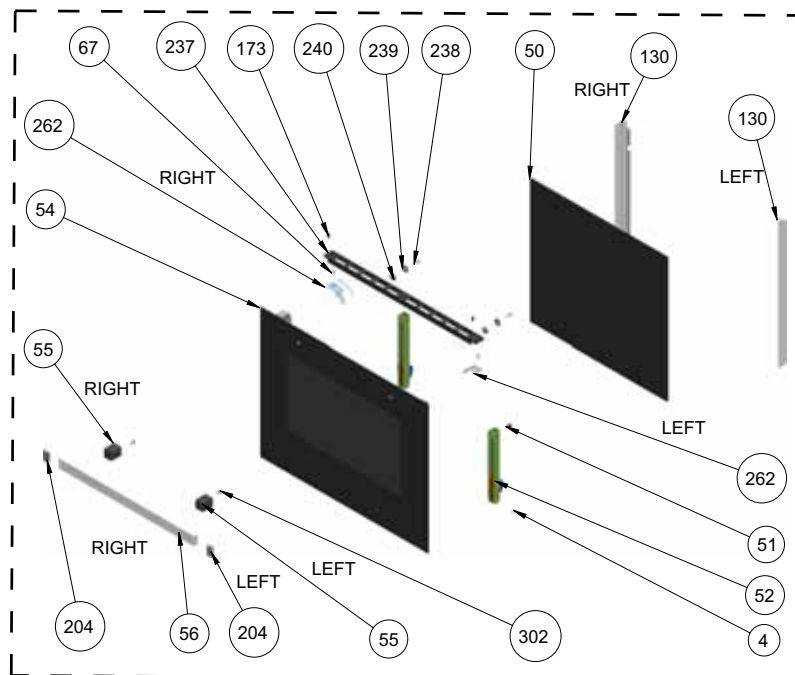
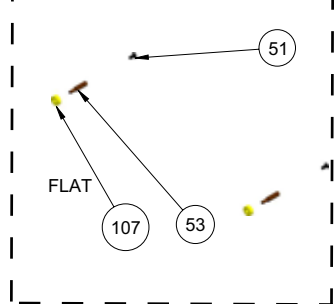
INTERVAL GLASS
(OPTIONAL)



HANDLE ASSEMBLY GROUP
(OPTIONAL)
(POSITION NO 49)

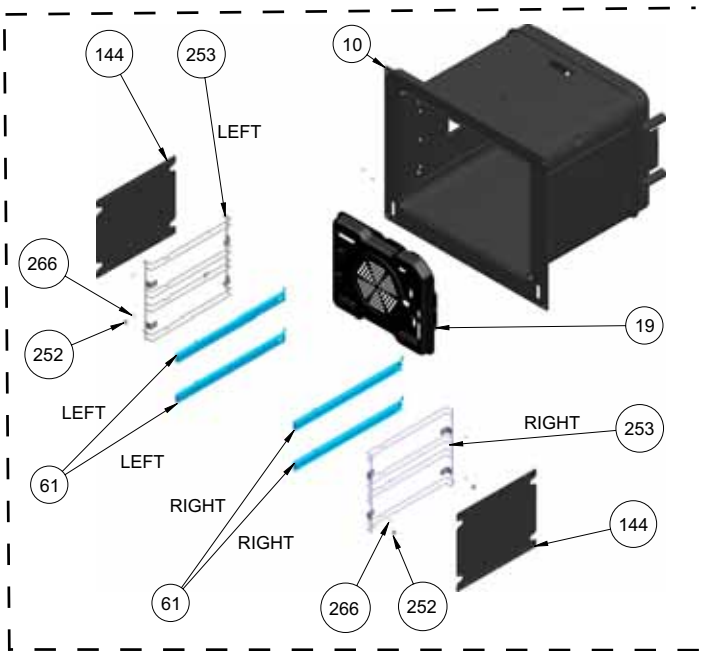


OVEN DOOR OUTER GLASS ASSEMBLY
WITH INOX ADD-ON TYPES
(OPTIONAL)

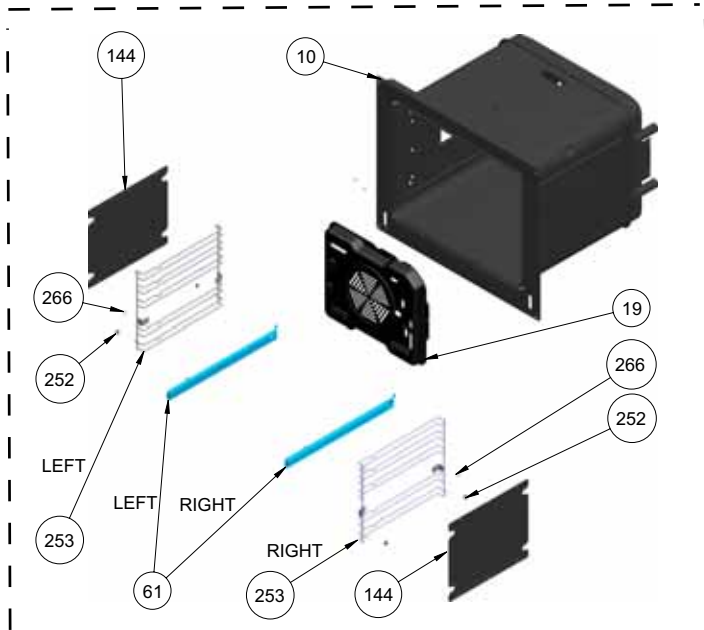
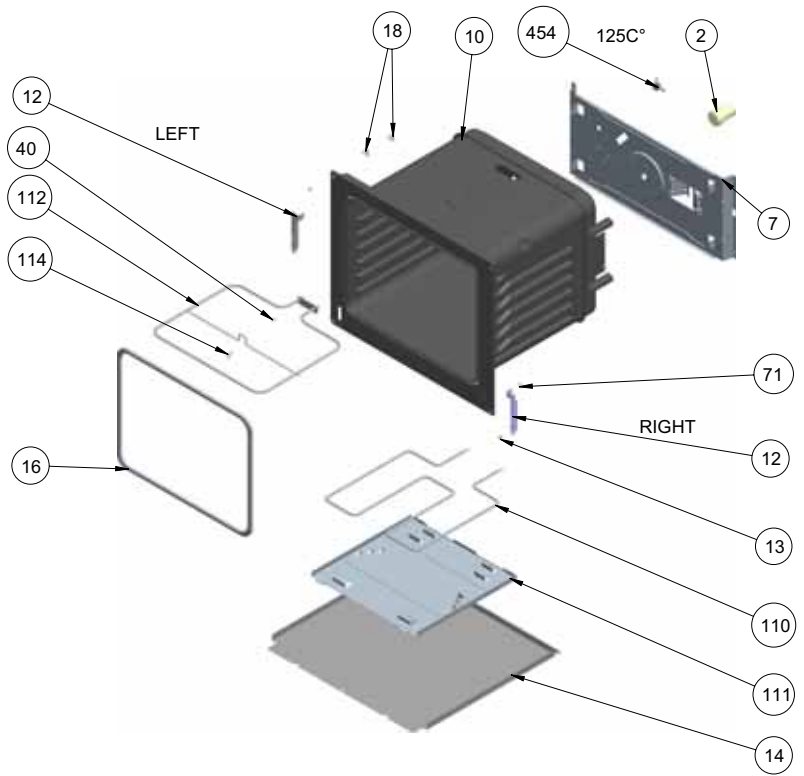


FLAT OVEN DOOR WITH FULL GLASS STRUCTURE
(OPTIONAL)
(POSITION NO 377)

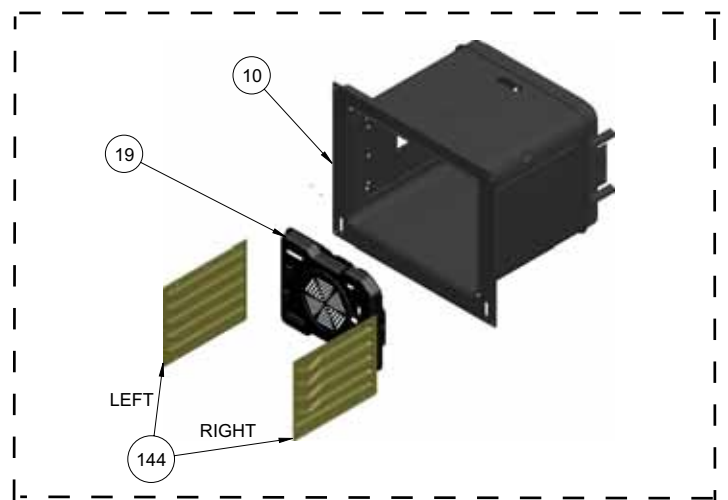
*Metal frames on outer glass, handle types, handle taps and brackets are optional. Your cooker may be different cosmetically.



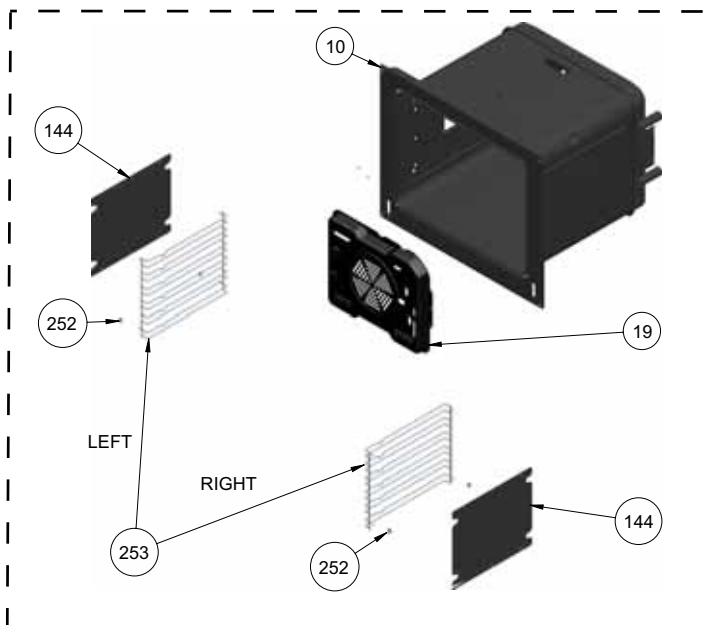
WIRE SHELF CAVITY ASSEMBLY WITH / WITHOUT CATALYTIC PANEL
 OPTIONAL : DOUBLE TELESCOPIC RAILS (R / L)



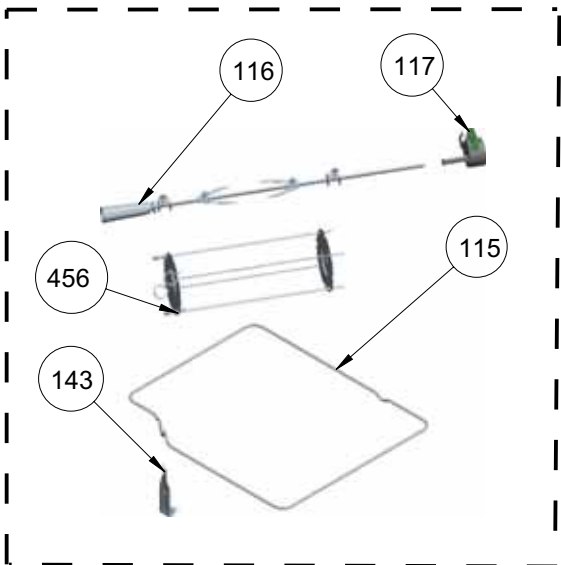
WIRE SHELF CAVITY ASSEMBLY WITH / WITHOUT CATALYTIC PANEL
 OPTIONAL : TELESCOPIC RAIL (R / L)



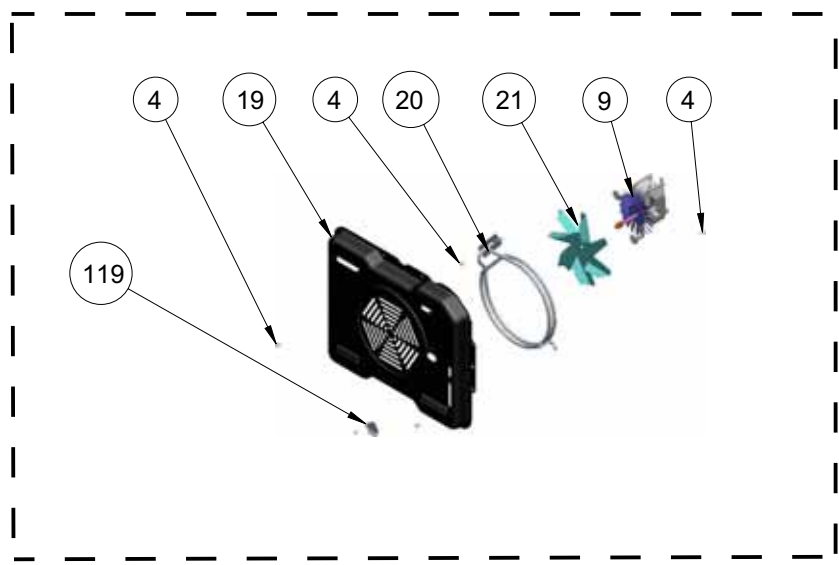
CAVITY ASSEMBLY WITH CATALYTIC SHELF
 (OPTIONAL)



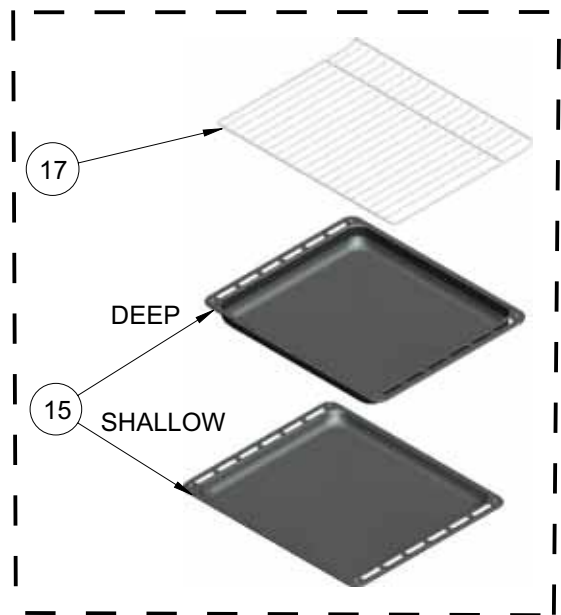
WIRE SHELF CAVITY ASSEMBLY WITH / WITHOUT CATALYTIC PANEL
 (OPTIONAL)



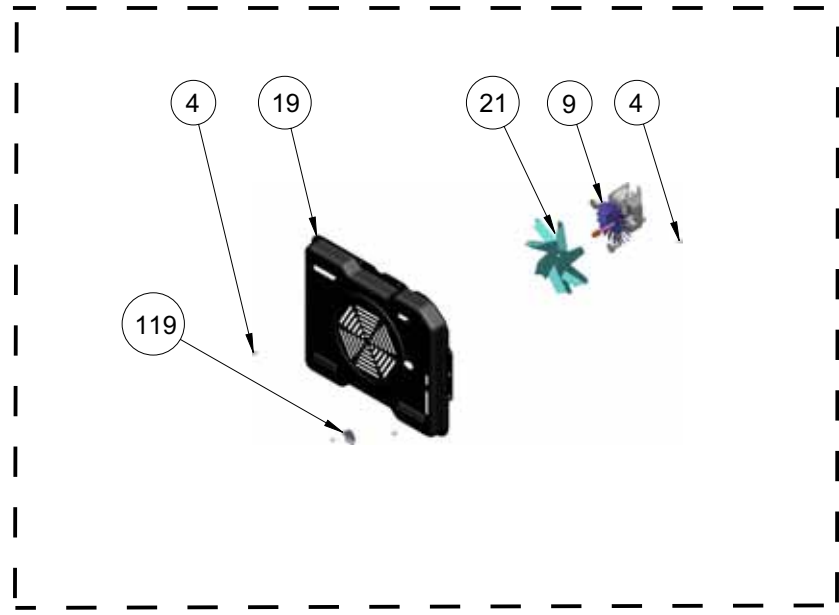
TURNSPIT (OPTIONAL)



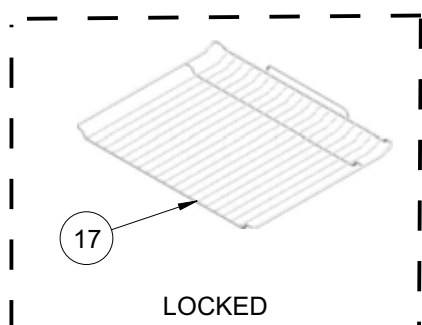
RING HEATING ELEMENT WITH FAN (OPTIONAL)



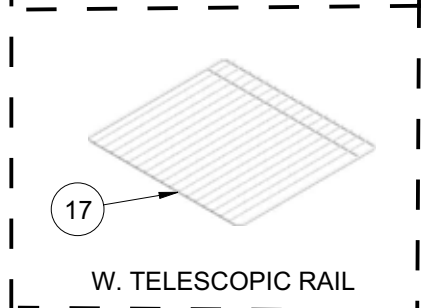
TRAYS & GRID (OPTIONAL)



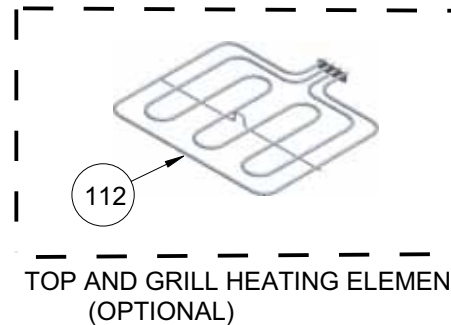
(FAN COVER/ FAN IMPELLER(6 WINGS) / FAN MOTOR) (OPTIONAL)



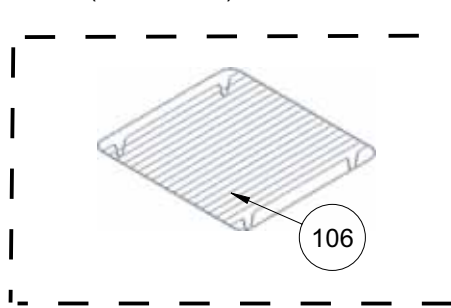
LOCKED



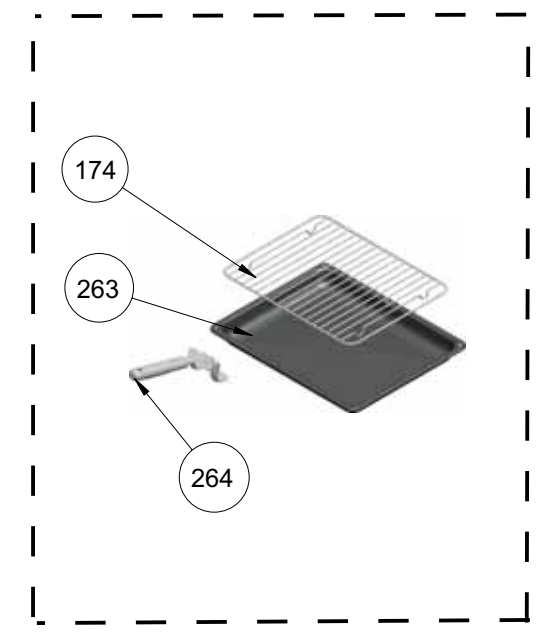
W. TELESCOPIC RAIL GRID (OPTIONAL)



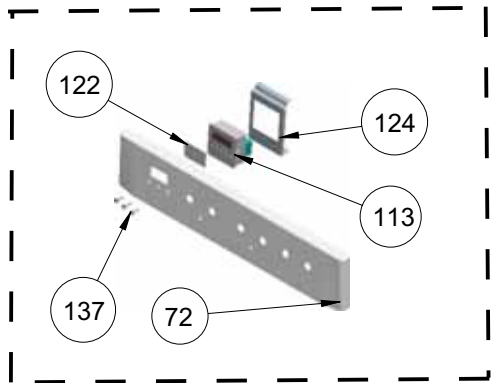
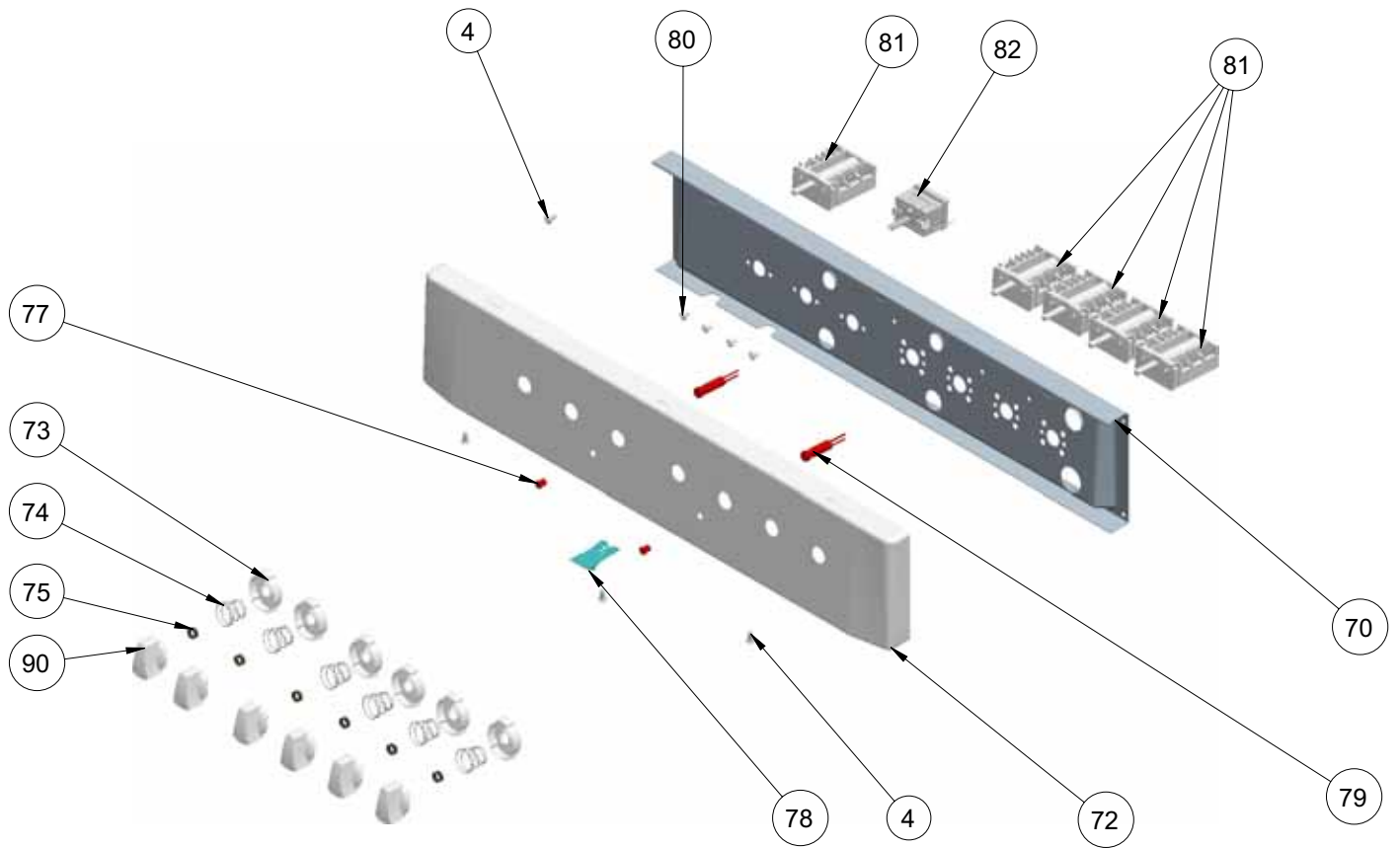
TOP AND GRILL HEATING ELEMENT (OPTIONAL)



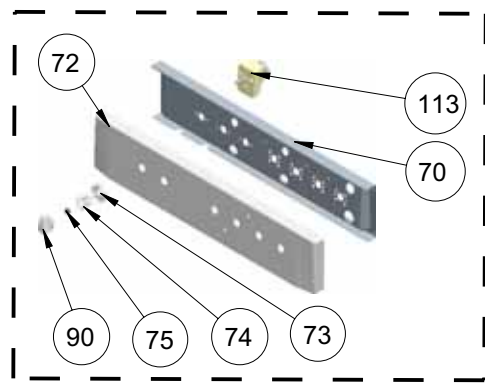
DEEP TRAY GRID (OPTIONAL)



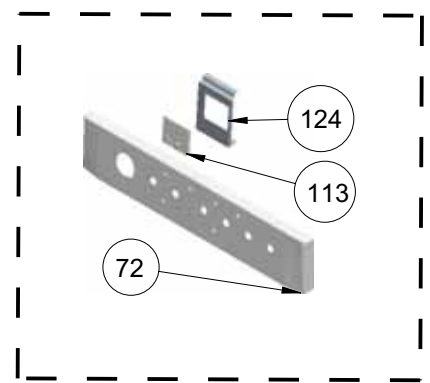
TRAY SET FOR GRID (POSITION NO 265) (OPTIONAL)



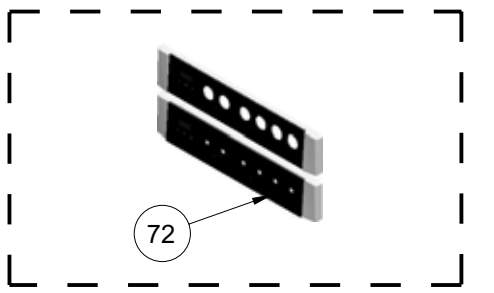
DIGITAL TIMER
(OPTIONAL)



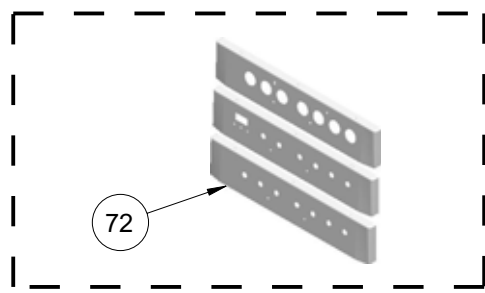
MECHANIC TIMER
(OPTIONAL)



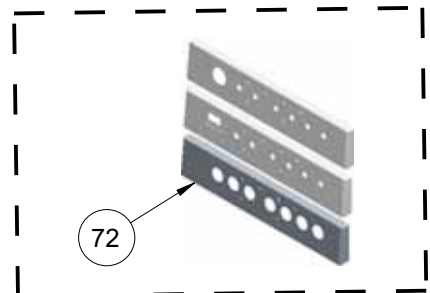
ANALOG TIMER
(OPTIONAL)



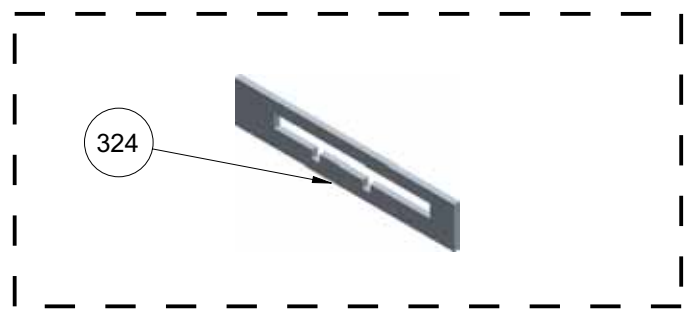
GLASS CONTROL PANELS
(OPTIONAL)



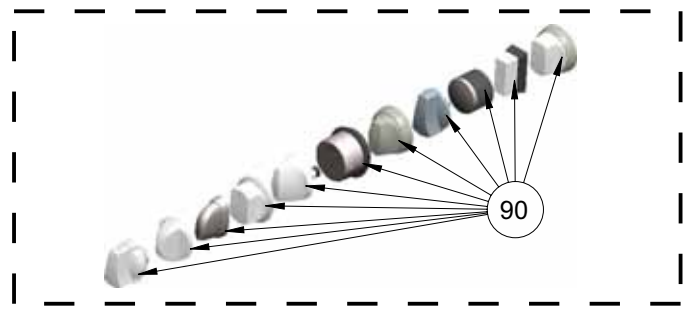
3D METAL CONTROL PANELS
(OPTIONAL)



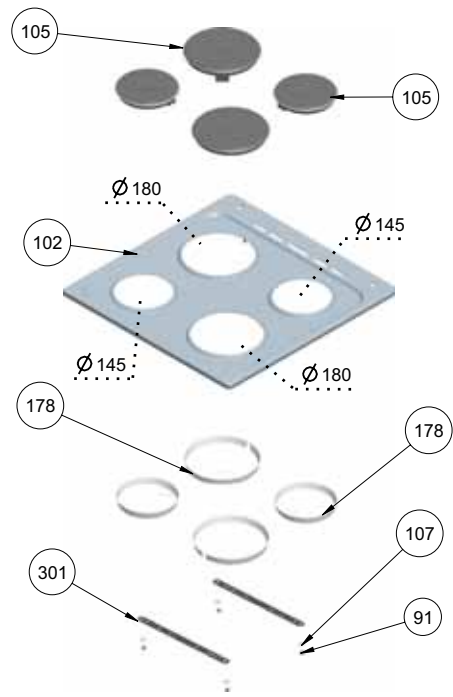
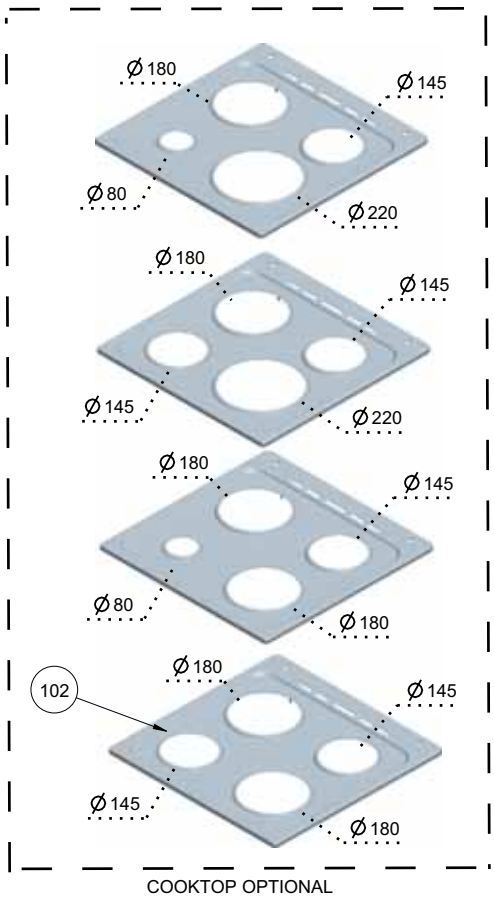
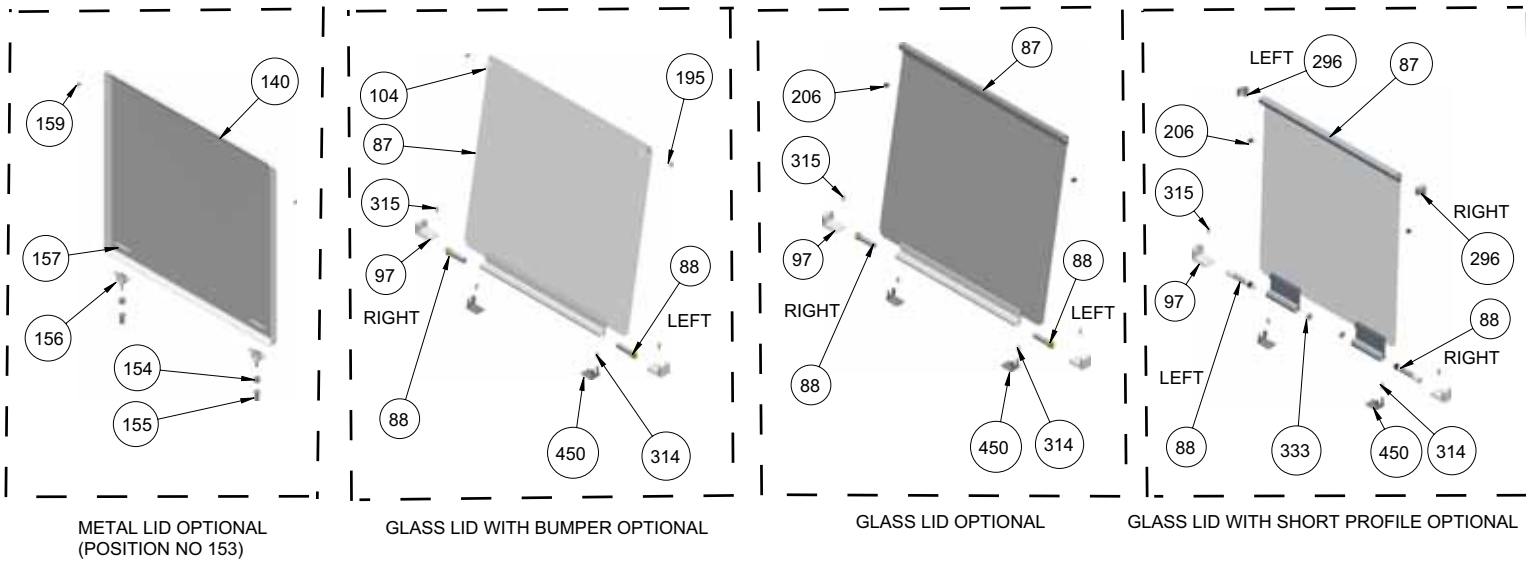
FLAT METAL CONTROL PANELS
(OPTIONAL)

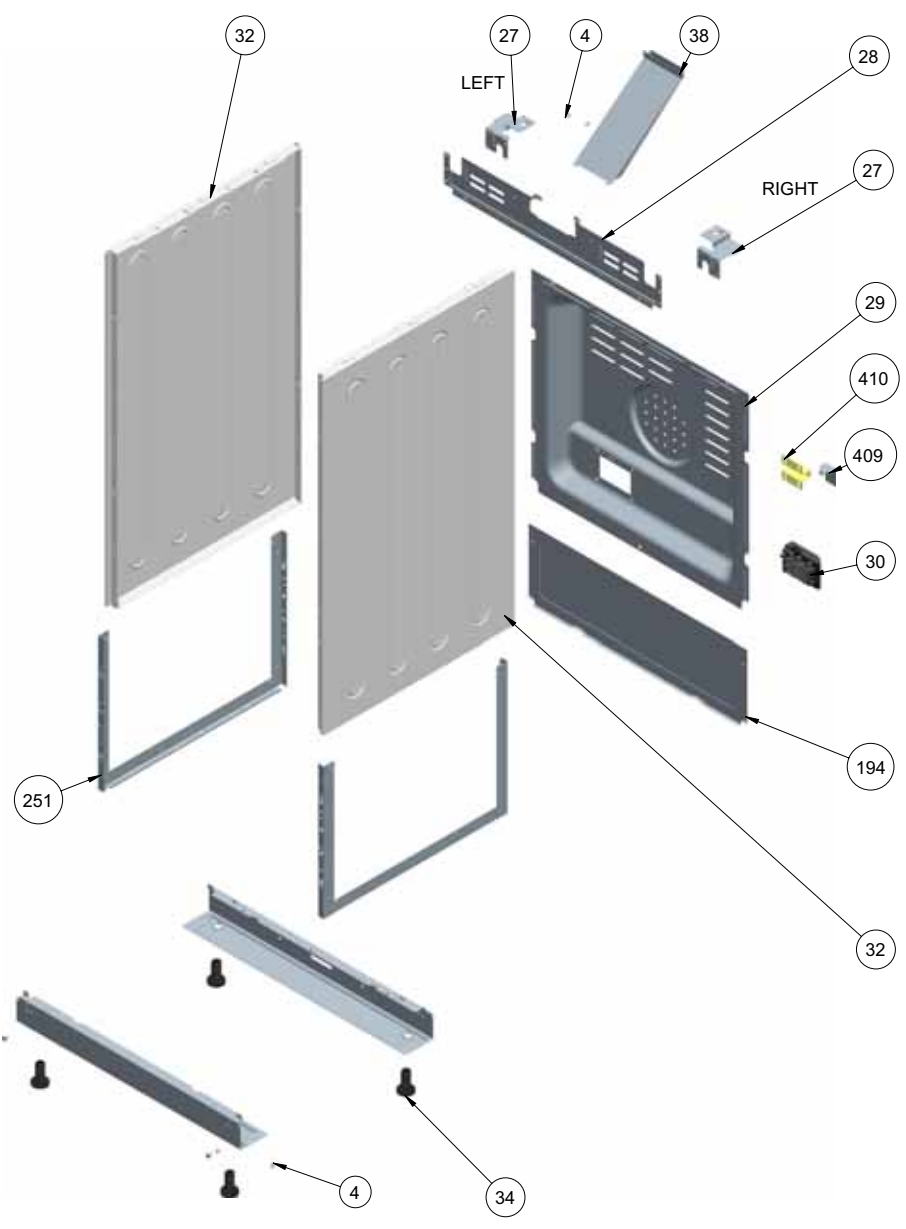
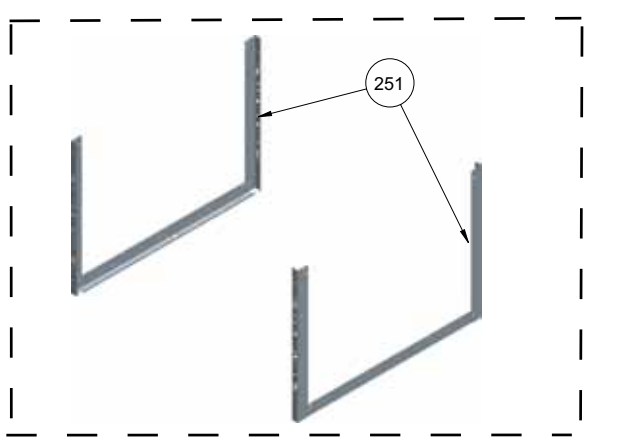
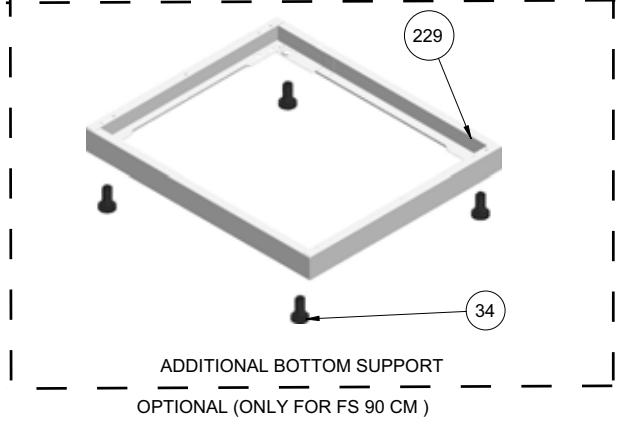
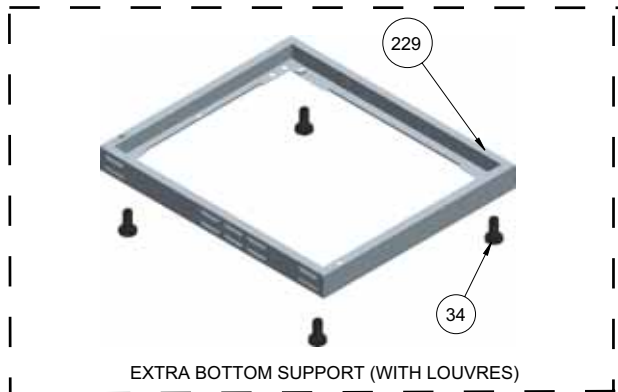


FRONT PANEL INSULATION(IZOPAN)
(OPTIONAL)



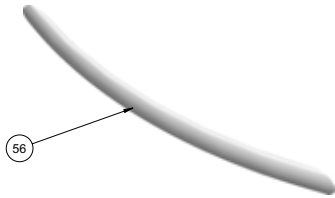
KNOBS (OPTIONAL)





OVEN DOOR HANDLES (OPTIONAL)

HANDLES WITHOUT TAP & BRACKET



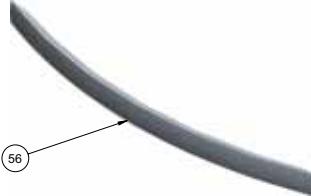
ELLIPSE ARC



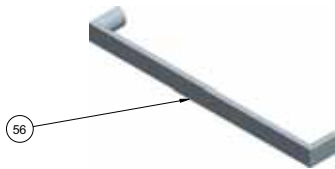
D PROFILE ARC



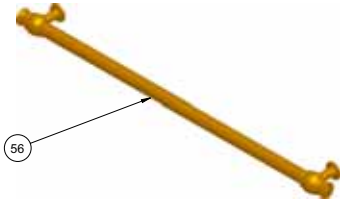
METALUX



D PROFILE ARC, ELECTROLUX
(ONLY FOR FS - OPTIONAL)

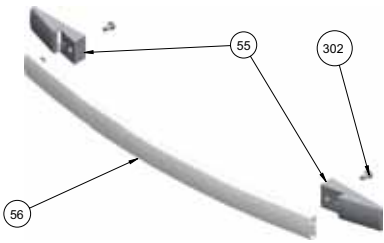


FNP
(ONLY FOR BUILT-IN - OPTIONAL)

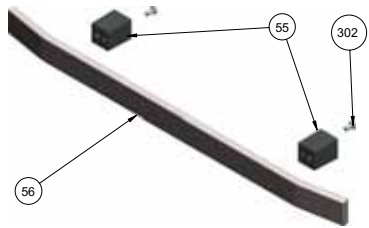


RUSTIC

HANDLES WITH BRACKET

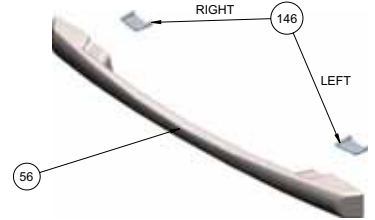


ARC QUADRANGLE



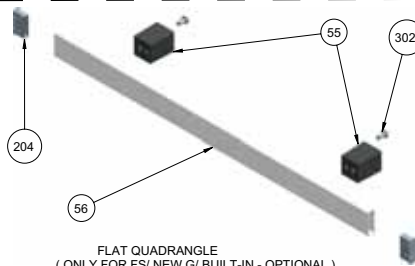
3D QUADRANGLE
(ONLY FOR FS/ NEW G/ BUILT-IN - OPTIONAL)

HANDLES WITH TUNNEL TAP

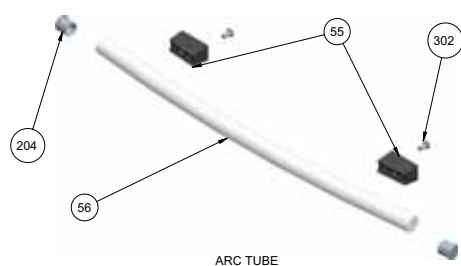


NO FAN TYPE
(ONLY FOR BUILT-IN - OPTIONAL)

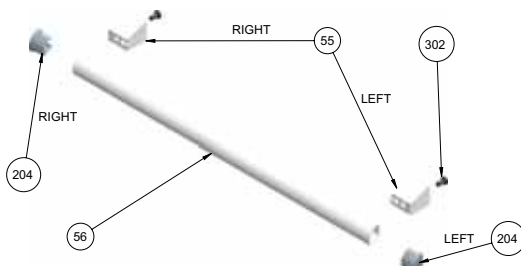
HANDLES WITH TAP & BRACKET



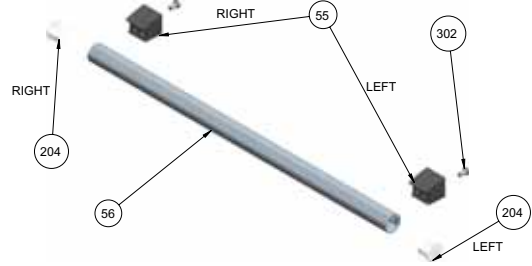
FLAT QUADRANGLE
(ONLY FOR FS/ NEW G/ BUILT-IN - OPTIONAL)



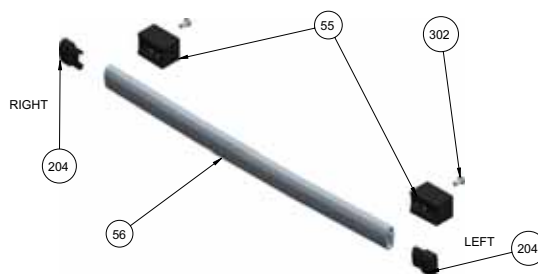
ARC TUBE



FLAT SLICE



TRIO



CURVED QUADRANGLE

