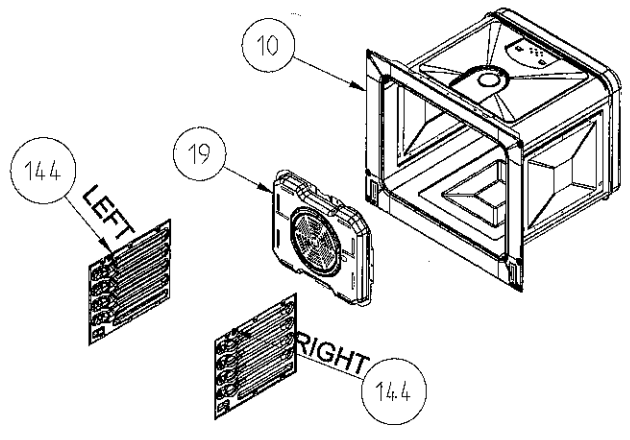
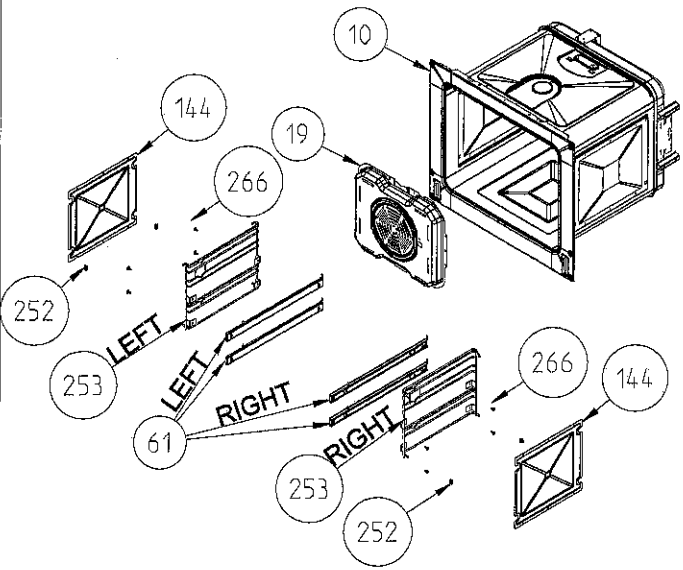


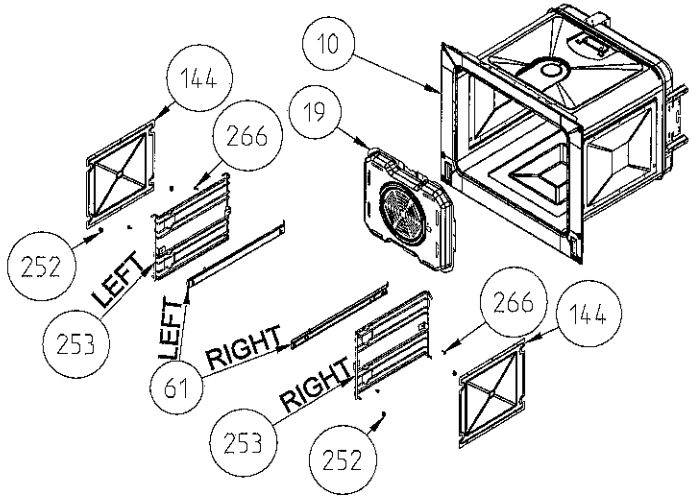
**WIRE SHELF CAVITY ASSEMBLY
 WITH / WITHOUT CATALYTIC PANEL (OPTIONAL)**



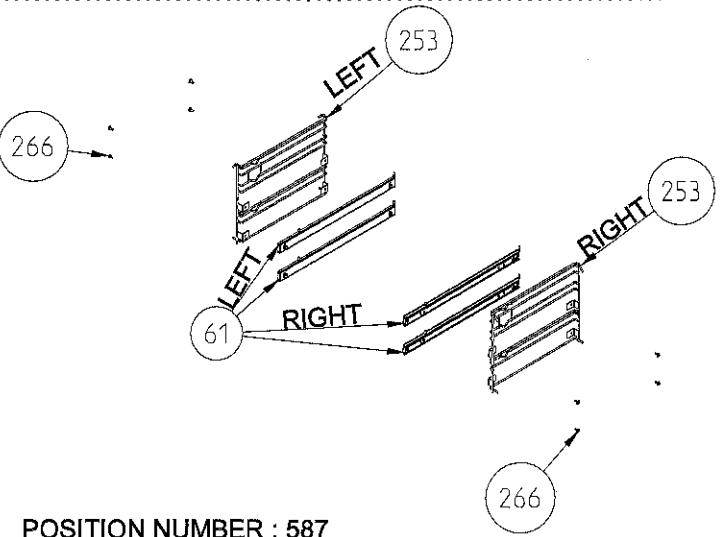
CAVITY ASSEMBLY WITH CATALYTIC SHELF (OPTIONAL)



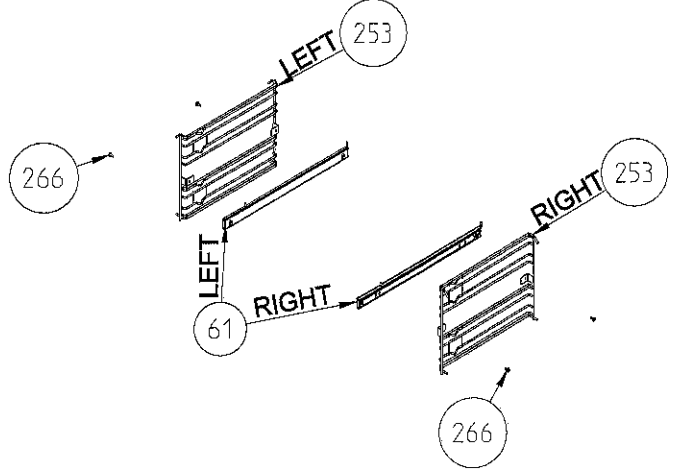
WIRE SHELF CAVITY ASSEMBLY
WITH/ WITHOUT CATALYTIC PANEL
OPTIONAL:DOUBLE TELESCOPIC RAIL (R / L)



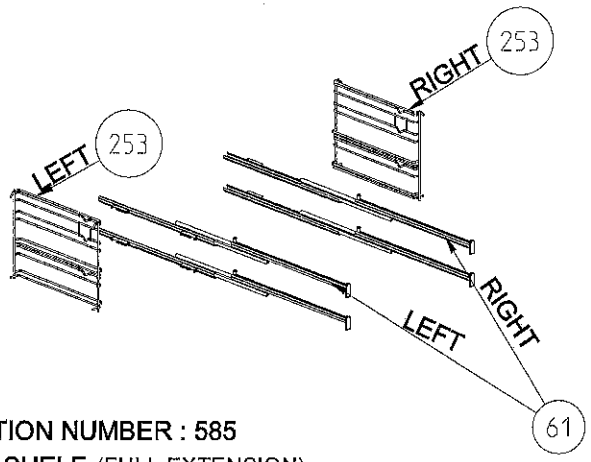
WIRE SHELF CAVITY ASSEMBLY
WITH/ WITHOUT CATALYTIC PANEL
OPTIONAL:TELESCOPIC RAIL (R / L)



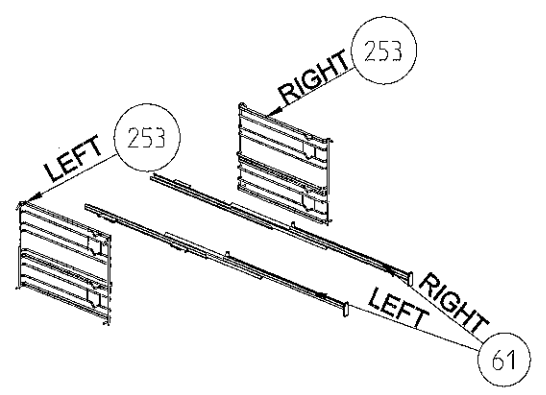
POSITION NUMBER : 587
WIRE SHELF (SINGLE EXTENSION)
OPTIONAL:DOUBLE TELESCOPIC RAIL (R / L) GROUP



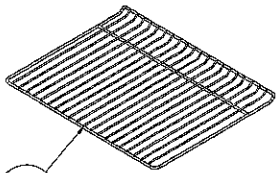
POSITION NUMBER :588
WIRE SHELF (SINGLE EXTENSION)
OPTIONAL: SINGLE TELESCOPIC RAIL (R / L) GROUP



POSITION NUMBER : 585
WIRE SHELF (FULL EXTENSION)
OPTIONAL:DOUBLE TELESCOPIC RAIL (R / L) GROUP

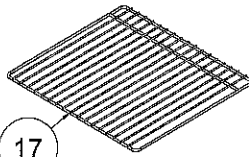


POSITION NUMBER: 586
WIRE SHELF (FULL EXTENSION)
OPTIONAL: SINGLE TELESCOPIC RAIL (R / L) GROUP



17

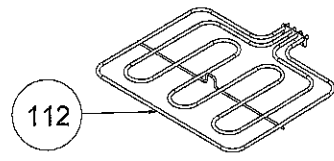
LOCKED



17

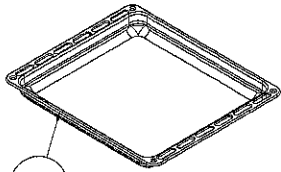
W. TELESCOPIC RAIL

GRID (OPTIONAL)



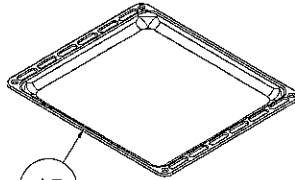
112

TOP AND GRILL HEATING ELEMENT (OPTIONAL)



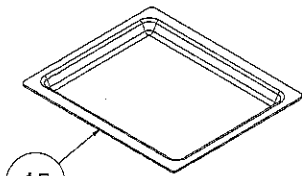
15

DEEP



15

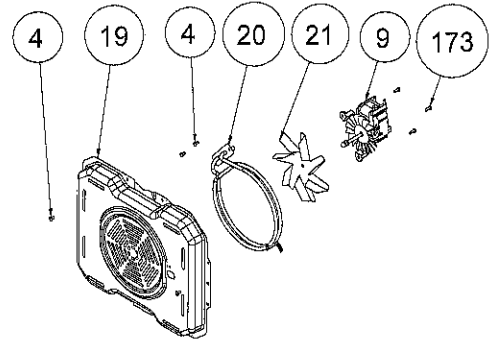
SHALLOW



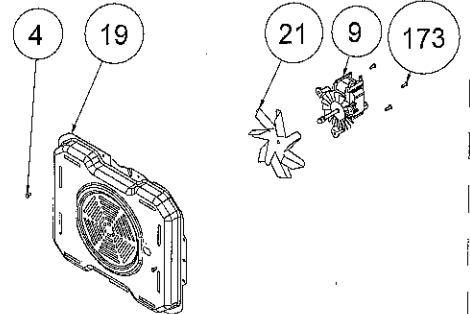
15

GLASS

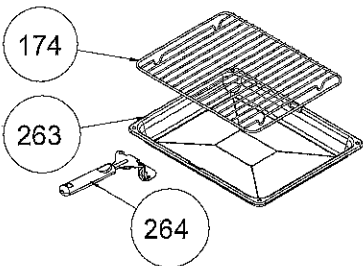
TRAYS (OPTIONAL)



RING HEATING ELEMENT WITH FAN (OPTIONAL)



(FAN COVER/ FAN IMPELLER(6 WINGS) / FAN MOTOR) (OPTIONAL)



174

263

264

GRILL PAN AND HANDLE SET (TRAY SET FOR GRILL) - POSITION NO 265 (OPTIONAL)



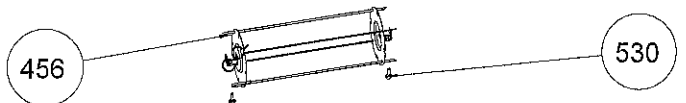
479

THERMIST BULB HOLDER/BACKET



116

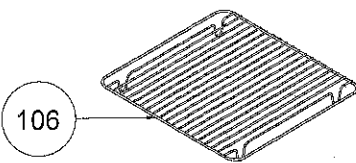
TURNSPIT SKEWER



456

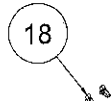
530

SHISH KEBAB ACCESSORY (OPTIONAL)

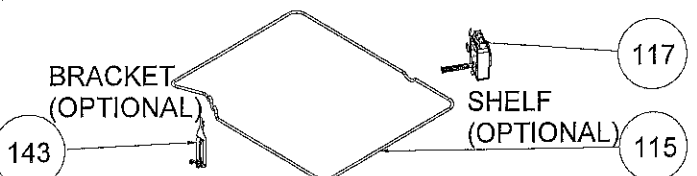


106

DEEP TRAY GRID (OPTIONAL)



18



143

117

115

BRACKET (OPTIONAL)

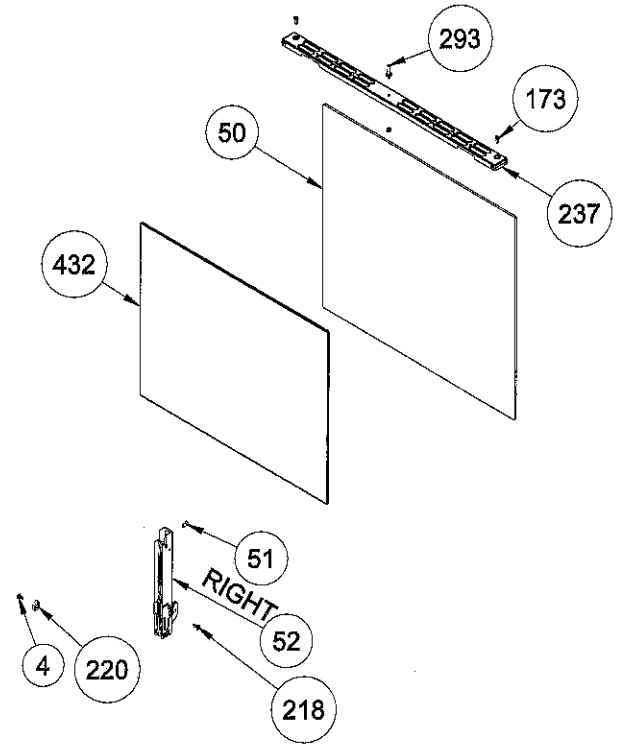
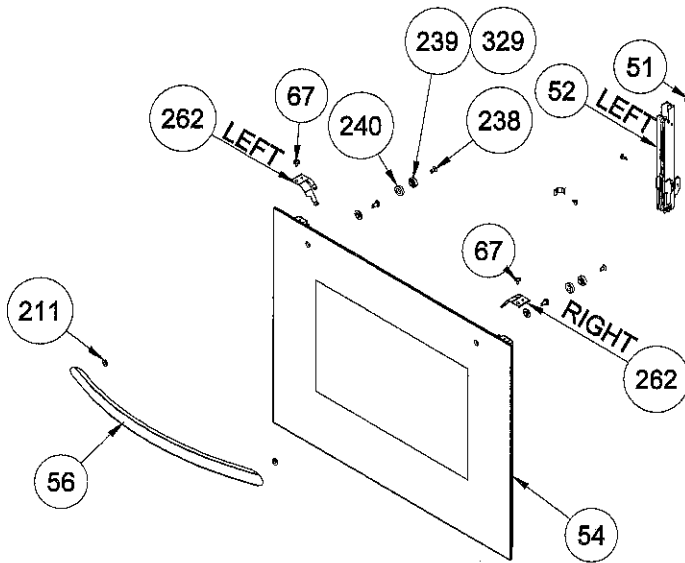
SHELF (OPTIONAL)

TURNSPIT (OPTIONAL)

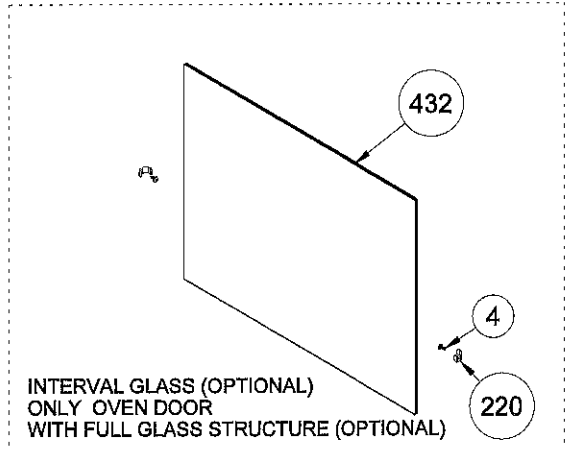
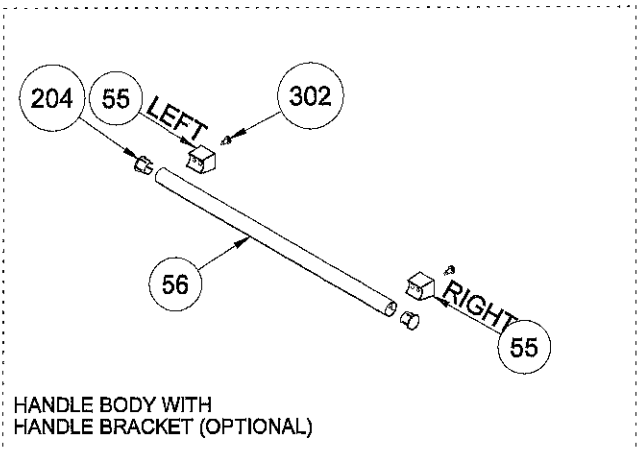
EXPLODED VIEW - CAVITY ASSEMBLY

OVEN DOOR ASSEMBLY EXPLODED VIEW (OPTIONAL)

POSITION
NUMBER :377
(DOOR)

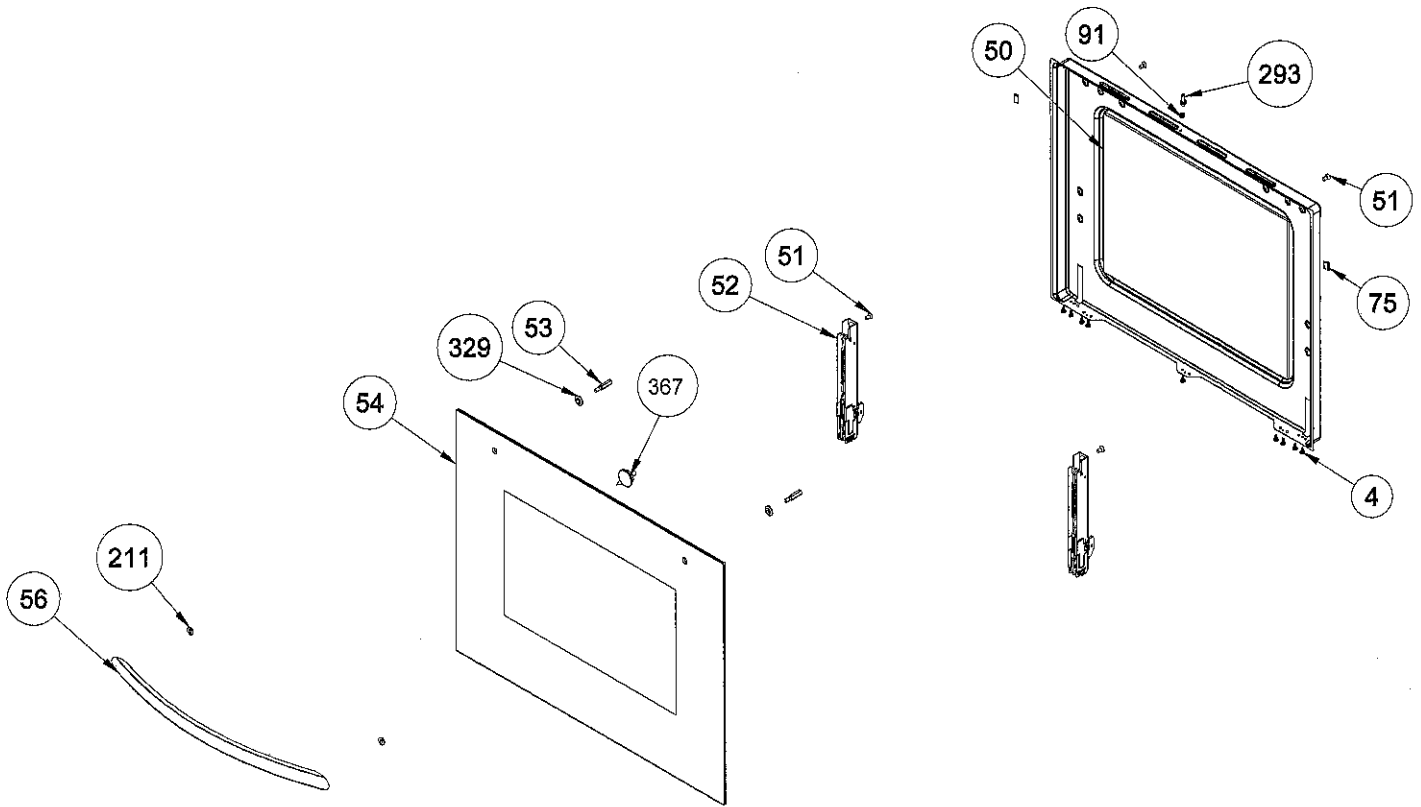


Note :
220,239,240,432 is for Removable Third Glass Versions
262,67 is for Removable Glass Versions



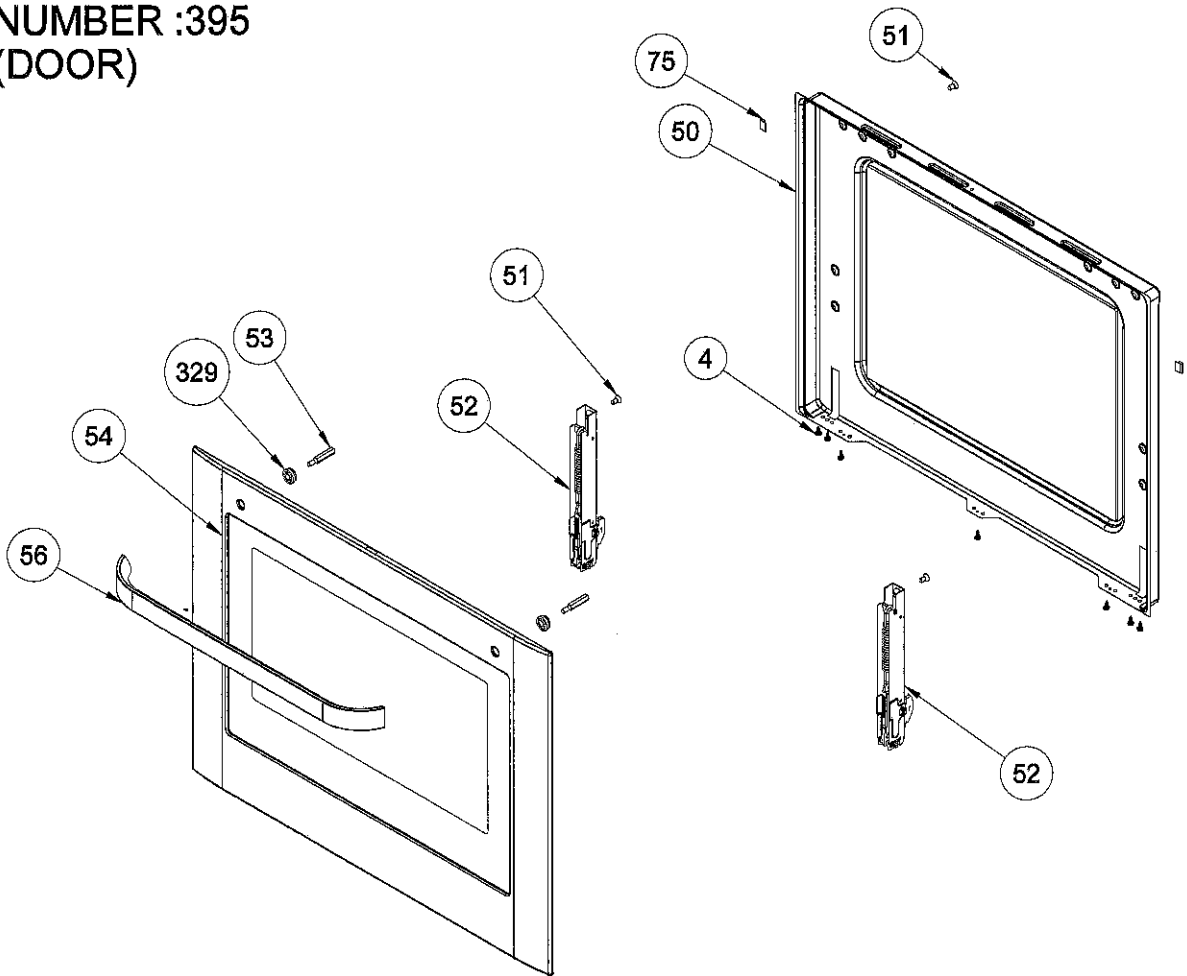
SOLID TYPE OVEN DOOR ASSEMBLY EXPLODED VIEW
(FRONT VIEW OF GLASS)
(OPTIONAL)

POSITION
NUMBER :376
(DOOR)

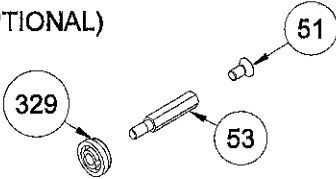


SOLID TYPE OVEN DOOR ASSEMBLY EXPLODED VIEW (FRONT VIEW OF METAL WITH GLASS) (OPTIONAL)

POSITION
NUMBER :395
(DOOR)

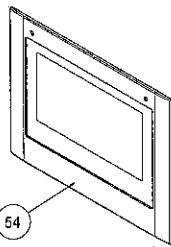


(OPTIONAL)

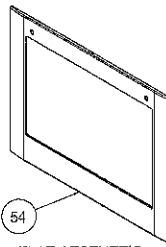


TYPE 1

HANDLE ASSEMBLY GROUP
POSITION NUMBER : 49
(OPTIONAL)



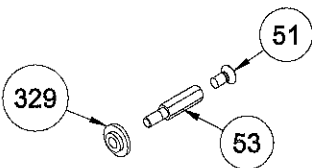
OBLIQUE AESTHETIC



FLAT AESTHETIC

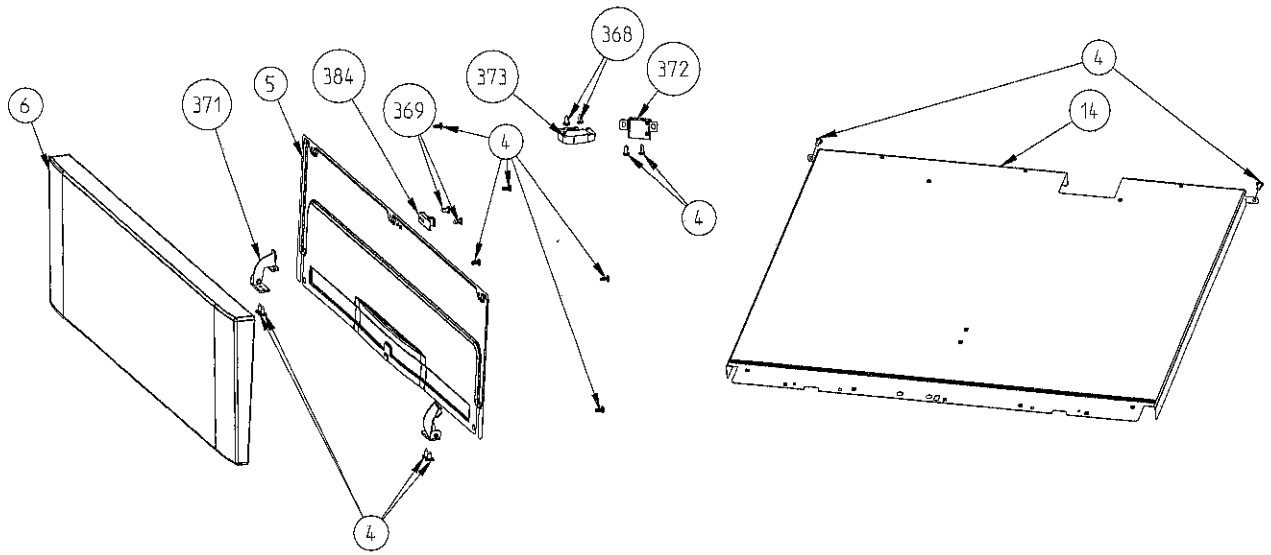
SOLID TYPE - POSITION NO 54 (OPTIONAL)

(OPTIONAL)

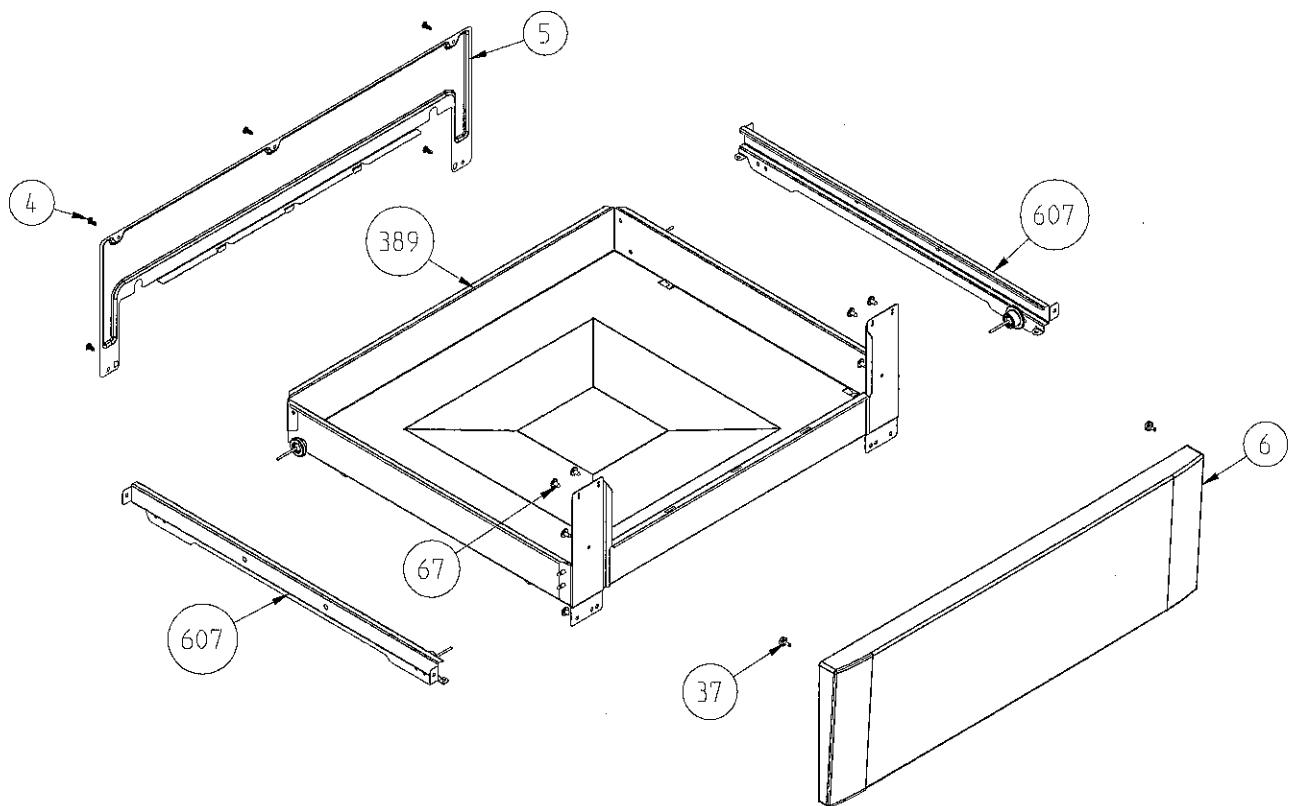


TYPE 2

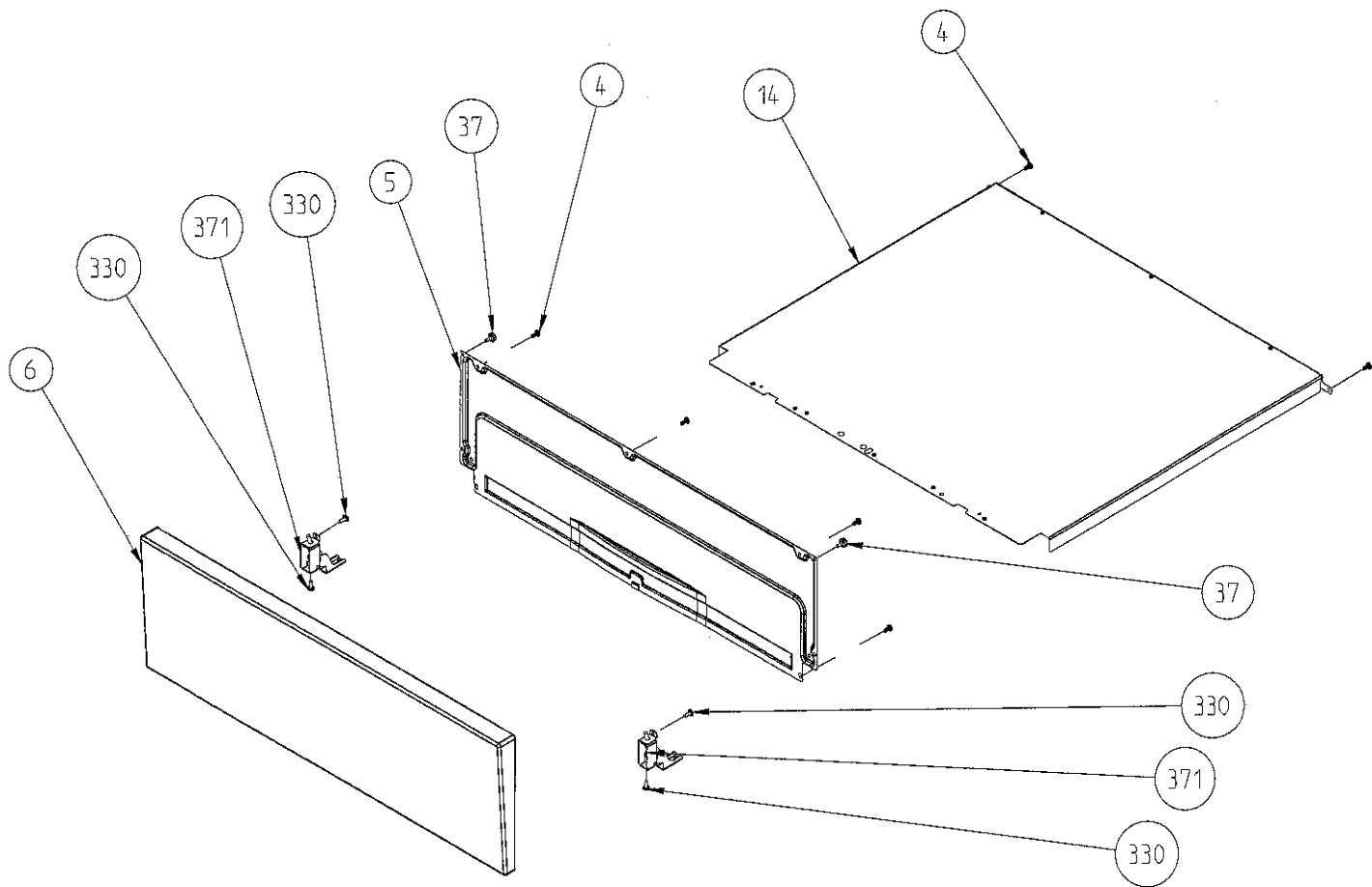
HANDLE ASSEMBLY GROUP
POSITION NUMBER : 49
(OPTIONAL)



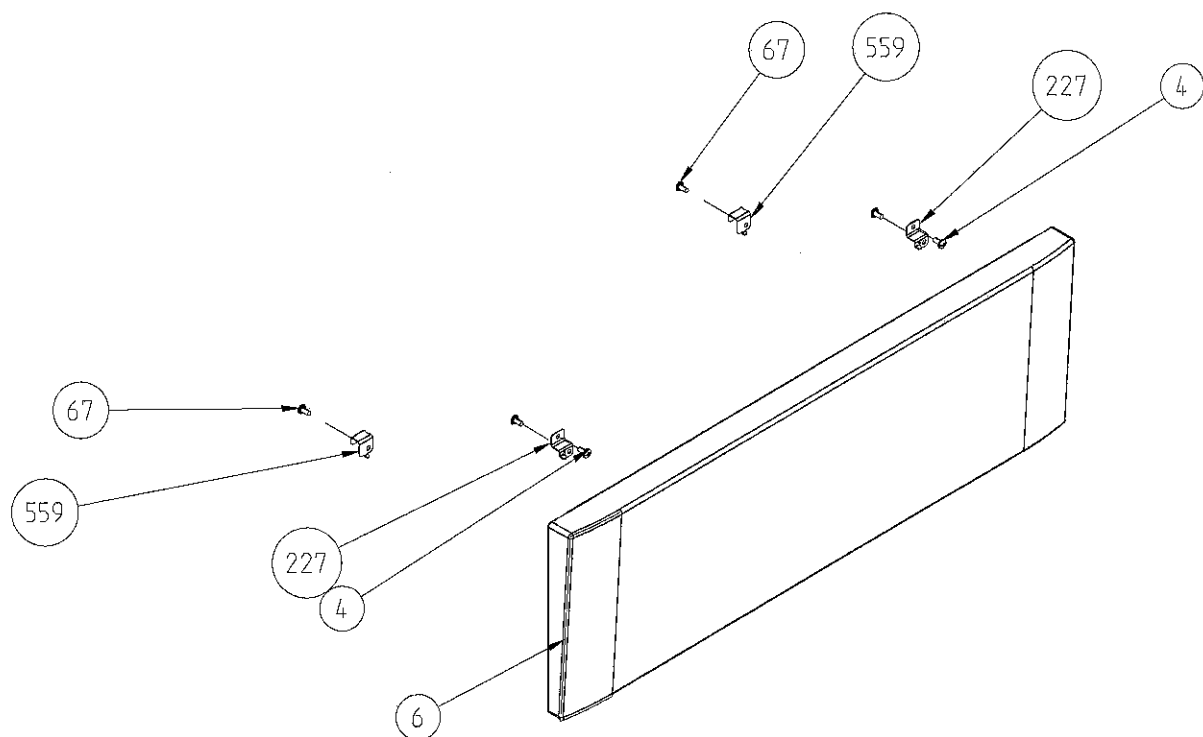
PUSH PULL FLAP DRAWER ASSEMBLY (OPTIONAL)



4WG DRAWER ASSEMBLY (OPTIONAL)

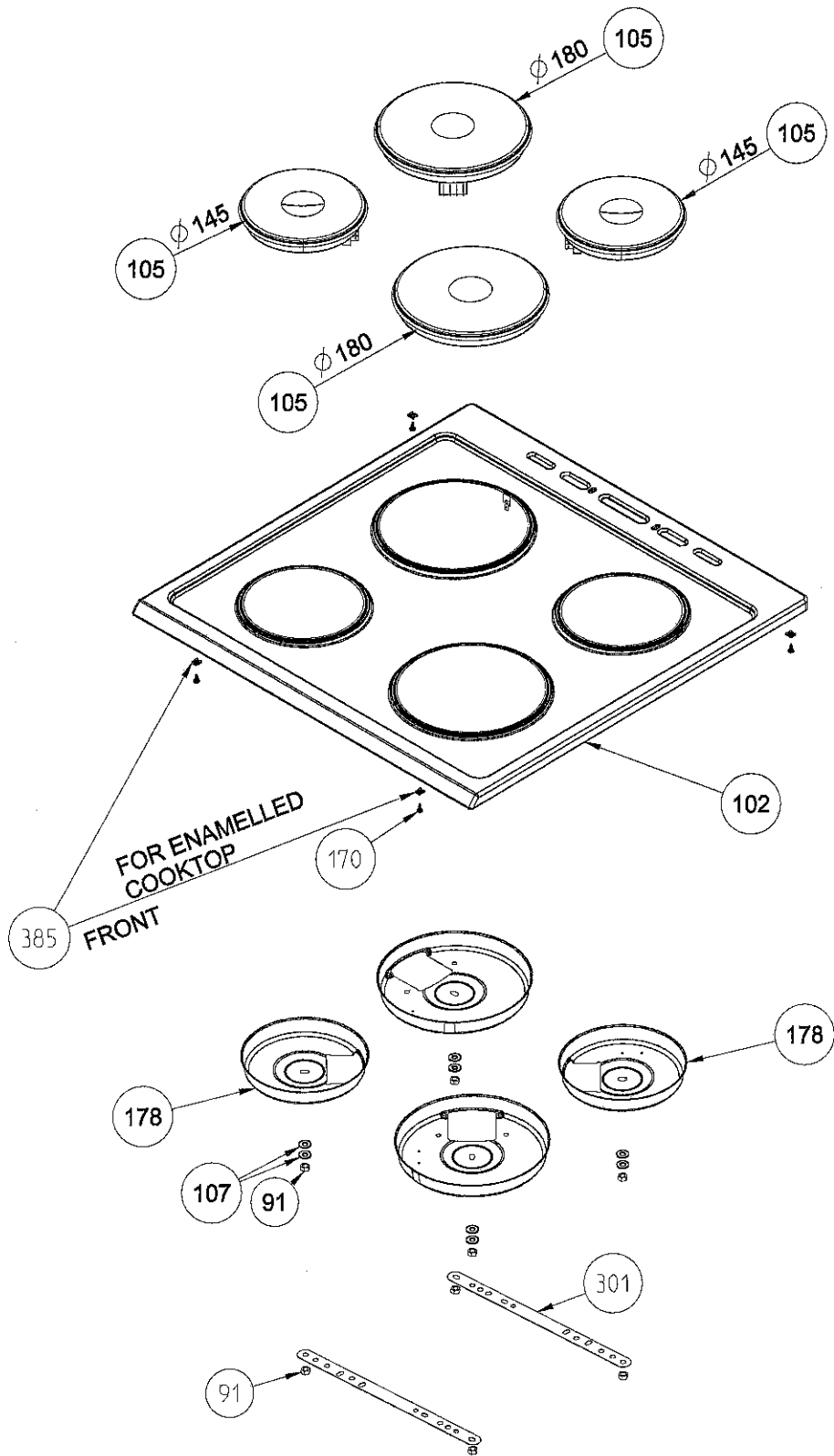


YNTB FLAP DRAWER ASSEMBLY

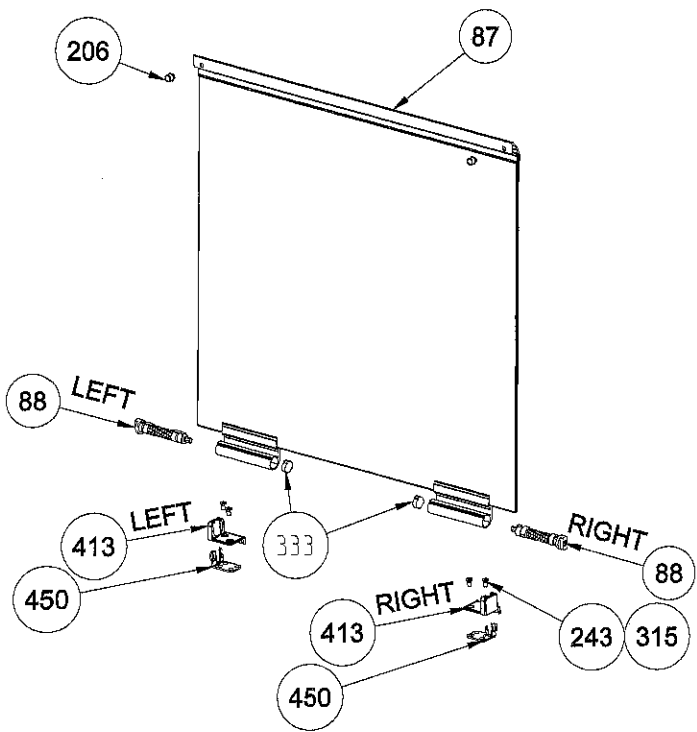


FIXED DRAWER ASSEMBLY
(OPTIONAL)

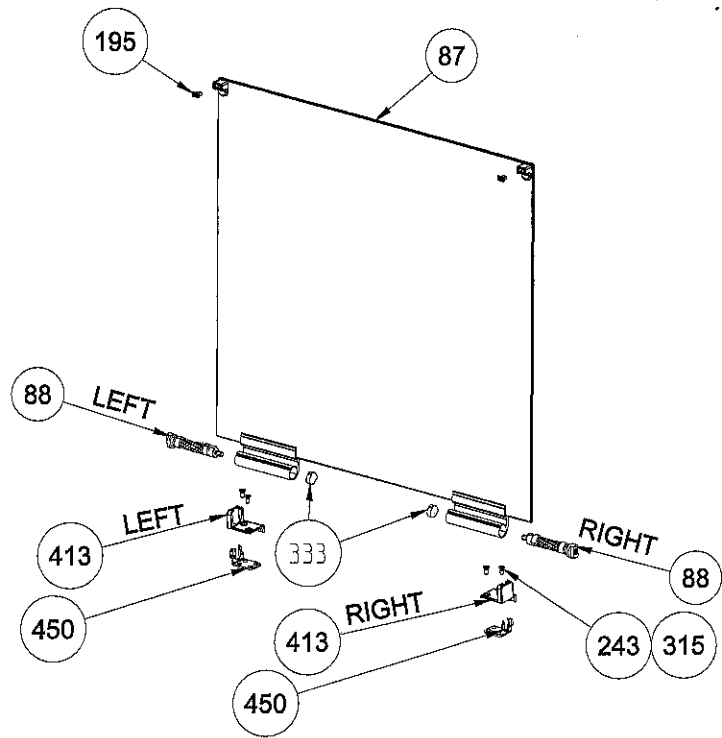
FREE STANDING ELECTRIC OVEN COOKTOP VERSION



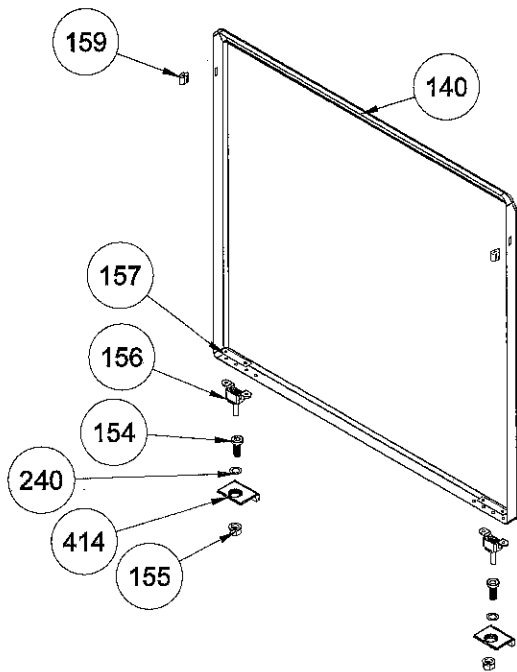
The exploded views given in this document are generic. They include all possible versions of the product. For specific part codes please refer to the bom list of regarding model.



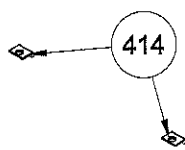
GLASS LID WITH SHORT PROFILE
(OPTIONAL)



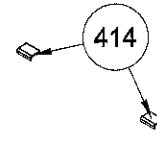
GLASS LID WITH BUMPER
(OPTIONAL)



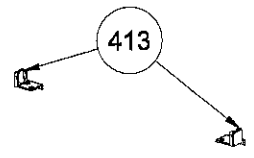
METAL LID (OPTIONAL)
POSITION NUMBER :153



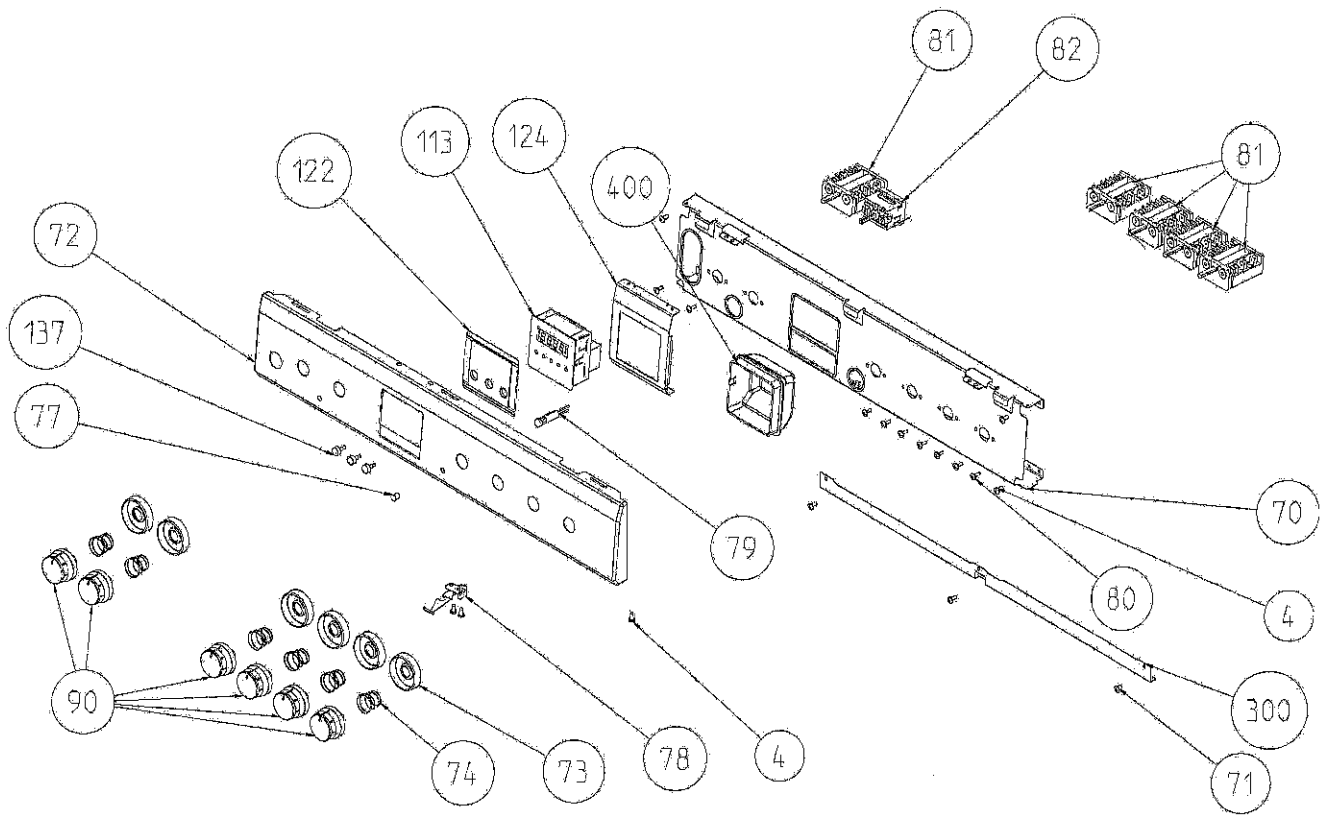
ONLY FOR
METAL LID



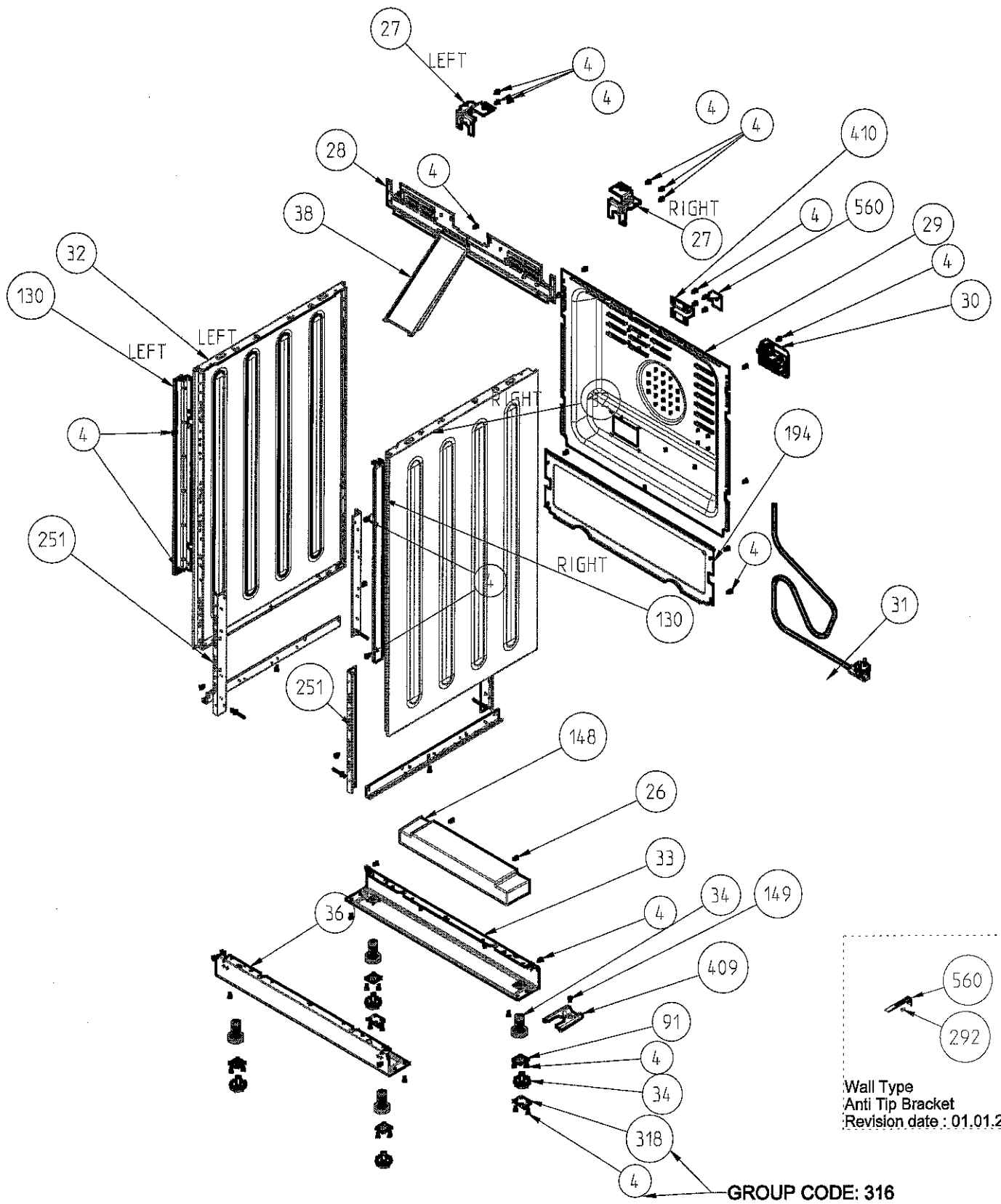
ONLY FOR
NONE LID



ONLY FOR
GLASS LID

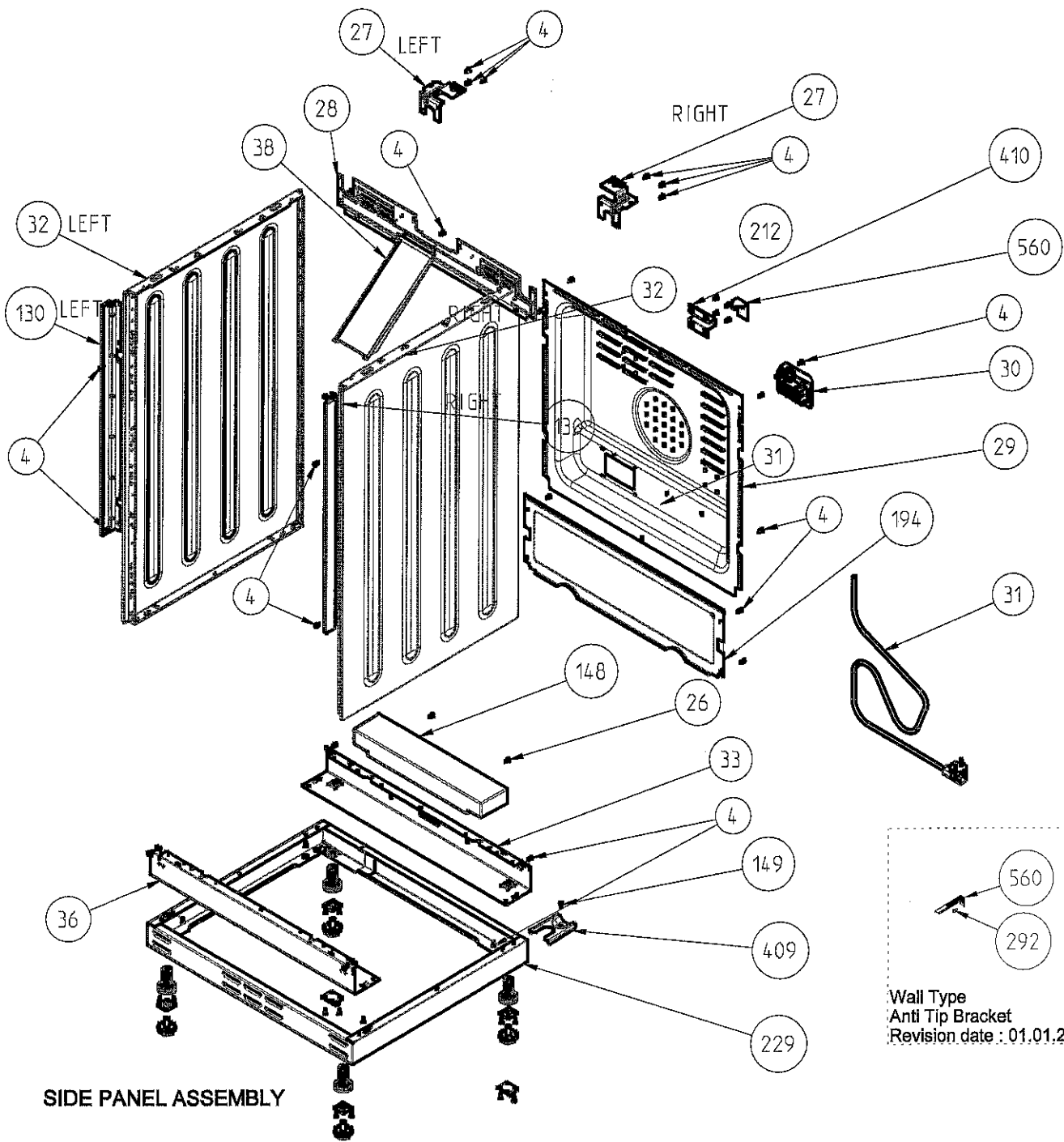


EXPLODED VIEW - CONTROL PANEL ASSEMBLY

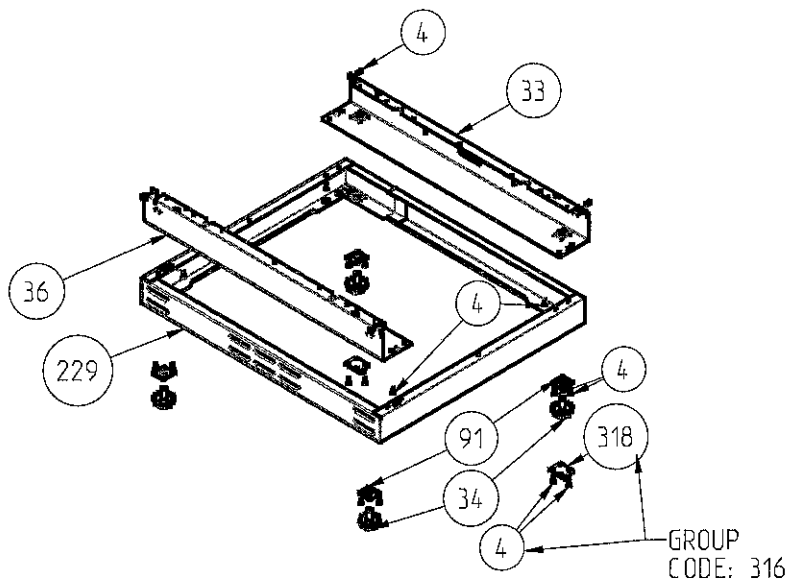


Wall Type
Anti Tip Bracket
Revision date : 01.01.2016

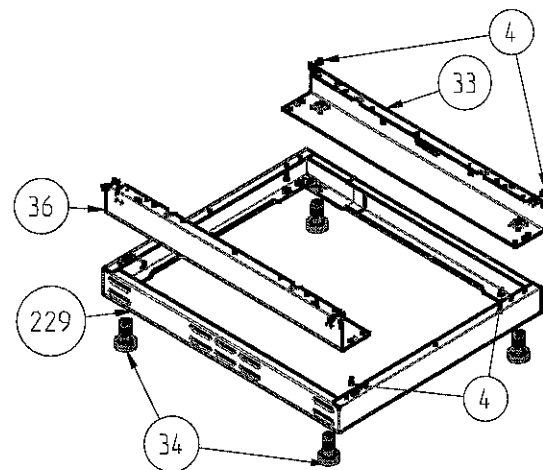
YNTB 85 CM SIDE PANEL ASSEMBLY



SIDE PANEL ASSEMBLY

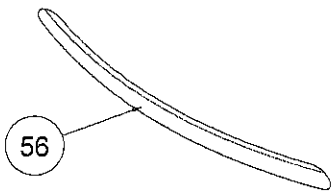


METAL BOLT ADJUSTABLE LEG



STANDARD PLASTIC ADJUSTABLE LEG

OVEN DOOR HANDLES (OPTIONAL)
HANDLES WITHOUT TAP & BRACKET



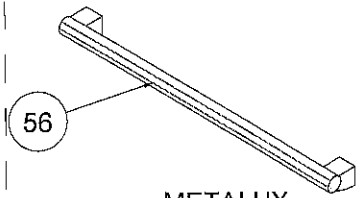
56

ELLIPSE ARC



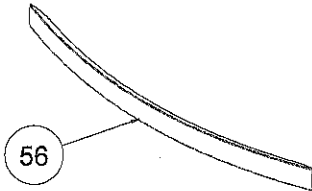
56

D PROFILE ARC



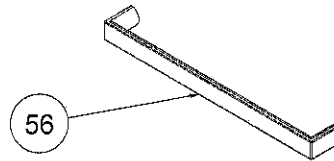
56

METALUX



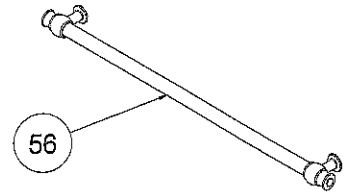
56

D PROFILE ARC, ELECTROLUX
(ONLY FOR FS - OPTIONAL)



56

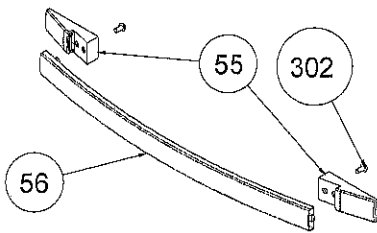
FNP (ONLY FOR BUILT-IN -
OPTIONAL)



56

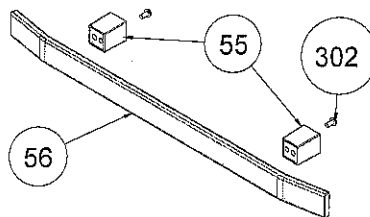
RUSTIC

HANDLES WITH BRACKET



56

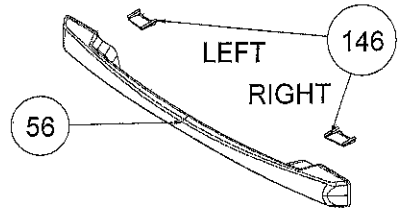
ARC QUADRANGLE



56

3D QUADRANGLE (ONLY FOR
FS/ NEW G/ BUILT-IN - OPTIONAL)

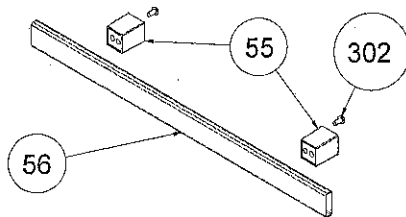
HANDLES WITH TUNNEL TAP



56

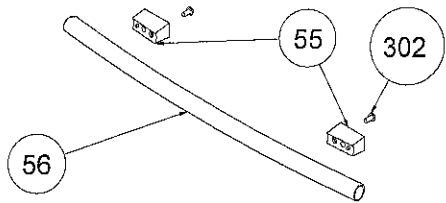
NO FAN TYPE (ONLY FOR
BUILT-IN - OPTIONAL)

HANDLES WITH TAP & BRACKET



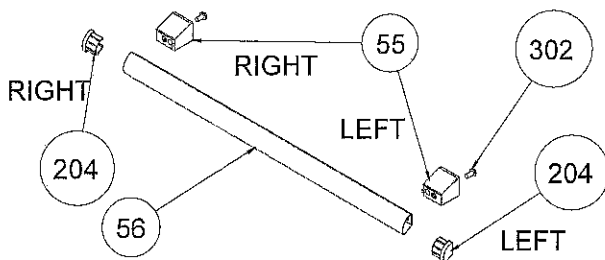
56

FLAT QUADRANGLE
(ONLY FOR FS/ NEW G/ BUILT-IN - OPTIONAL)



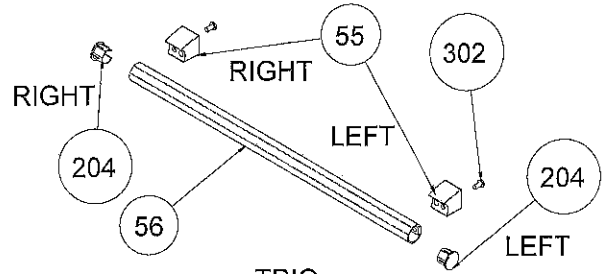
56

ARC TUBE



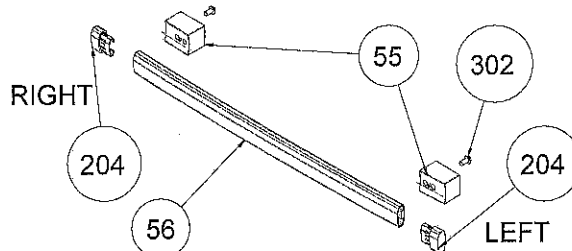
56

FLAT SLICE



56

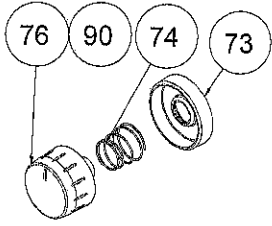
TRIO



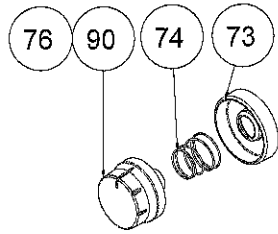
56

CURVED QUADRANGLE

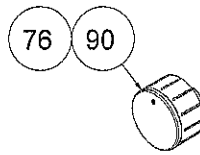
KNOBS (ONLY FOR NEW G - OPTIONAL)



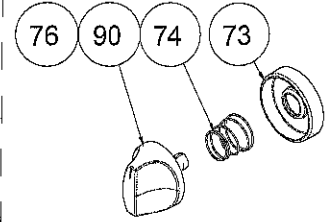
OMEGA



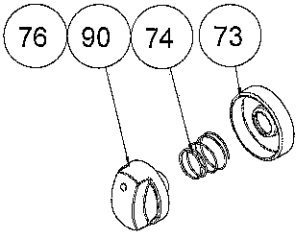
EPSILON



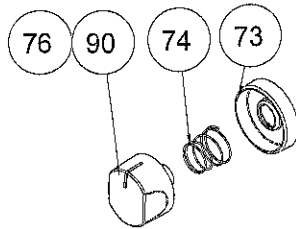
BIG MACRO
(ONLY FOR NEW G ELECTRIC/
NEW G VITROCERAMIC - OPTIONAL)



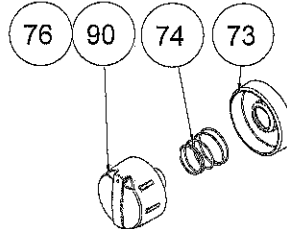
GAMA RING



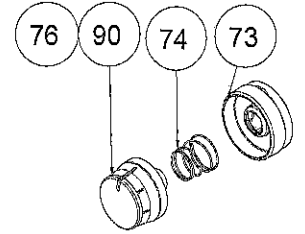
ECLIPSE RING



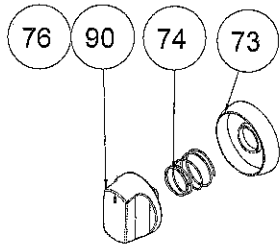
RIMO



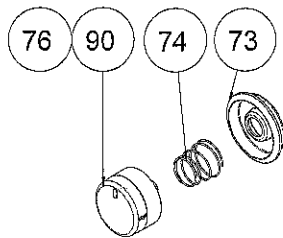
ANTERO



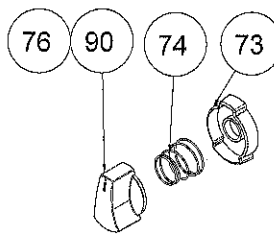
SPECTRUM



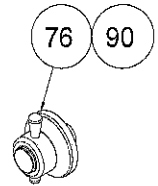
TRIO



SIGMA



DELTA RING



RUSTIC RISUS