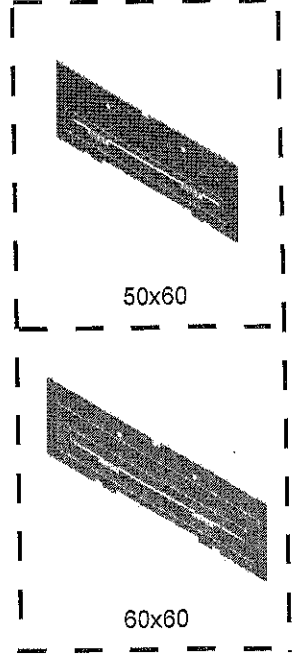
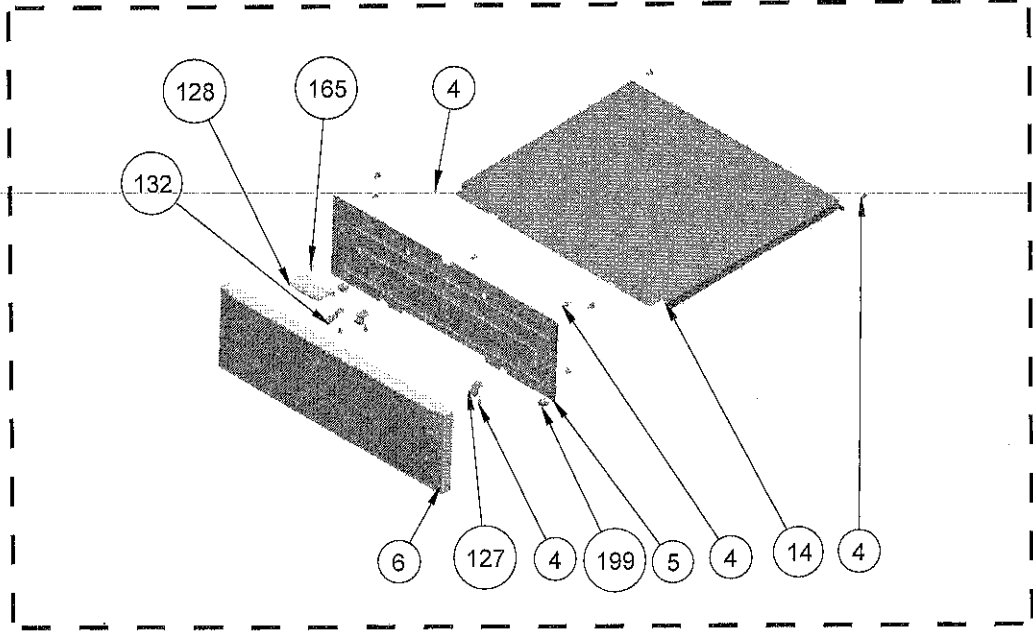


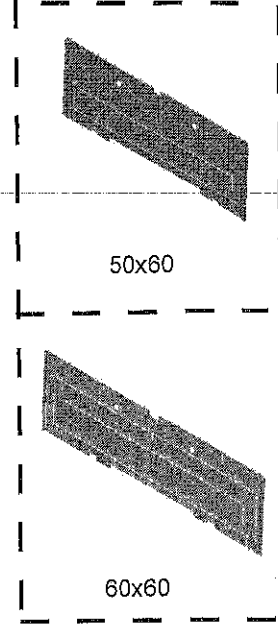
WARMER DRAWER ASSEMBLY



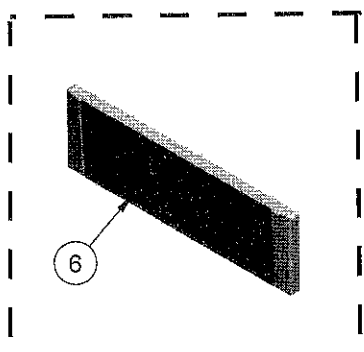
WARMER DRAWER INNER COVER



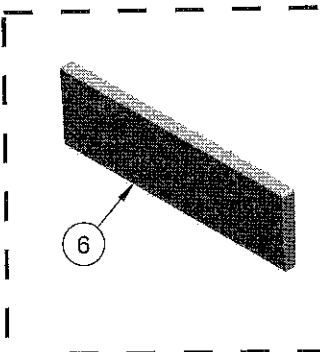
FLAP DRAWER ASSEMBLY (OPTIONAL)



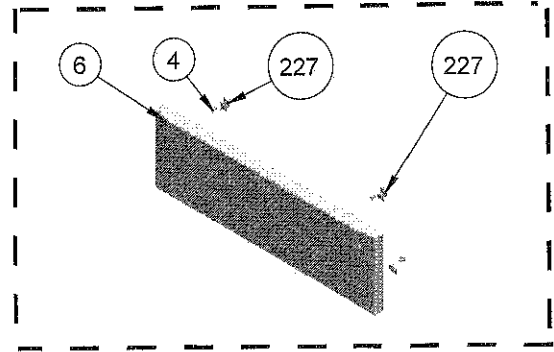
FLAP DRAWER INNER COVER



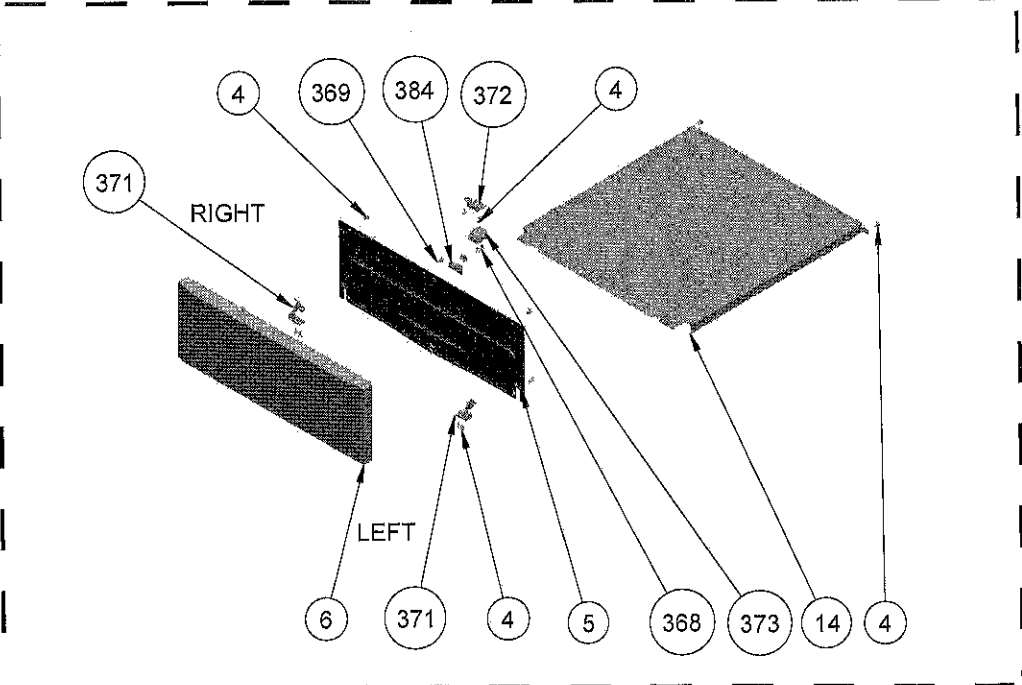
3D GLASS DRAWER PANEL (OPTIONAL)



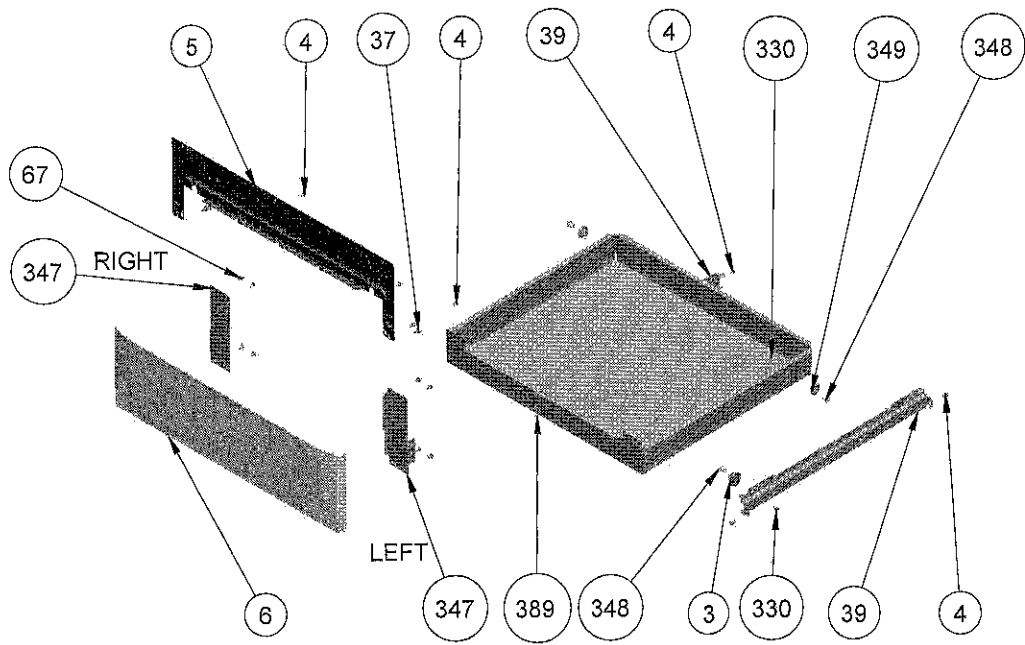
FLAT DRAWER PANEL (OPTIONAL)



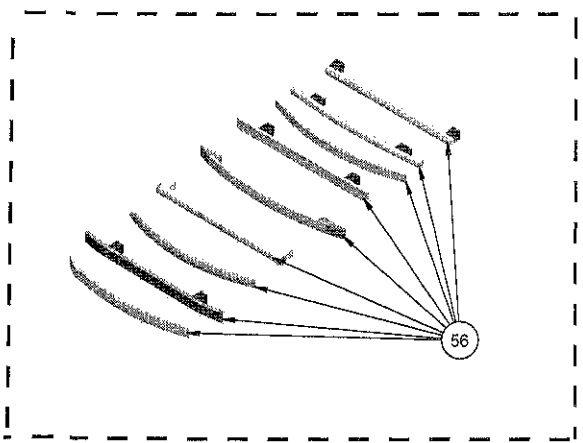
FIXED DRAWER ASSEMBLY (OPTIONAL)



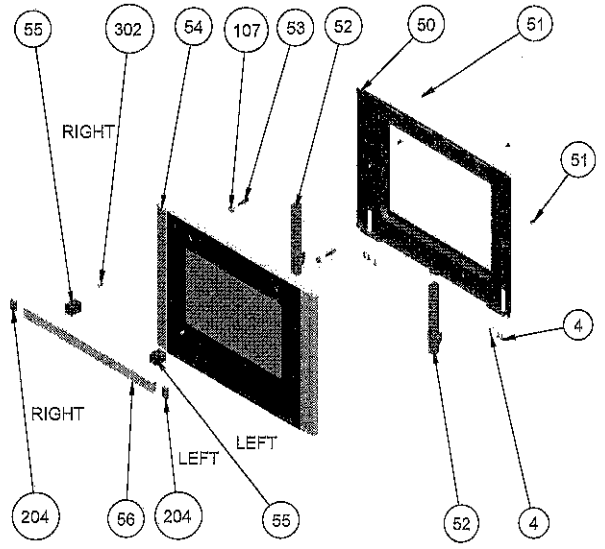
PUSH-PULL FLAP DRAWER ASSEMBLY  
(OPTIONAL)



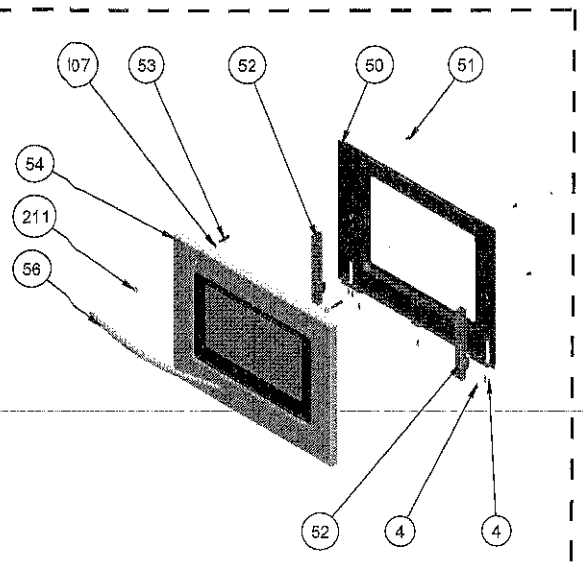
4WG DRAWER ASSEMBLY  
(OPTIONAL)



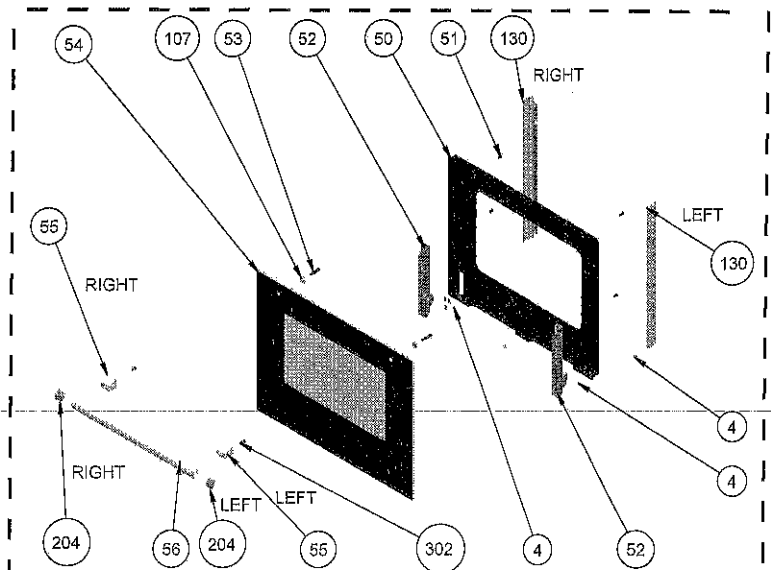
OVEN DOOR HANDLES  
(OPTIONAL)



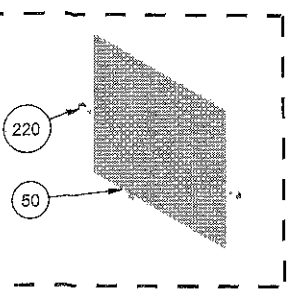
3D OVEN DOOR  
(POSITION NO 374)



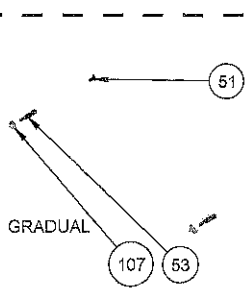
SOLID TYPE  
(OPTIONAL)  
(POSITION NO 375)



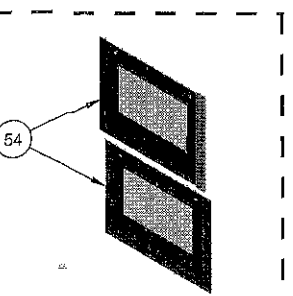
FLAT TYPE OVEN DOOR  
(OPTIONAL)  
(POSITION NO 376)



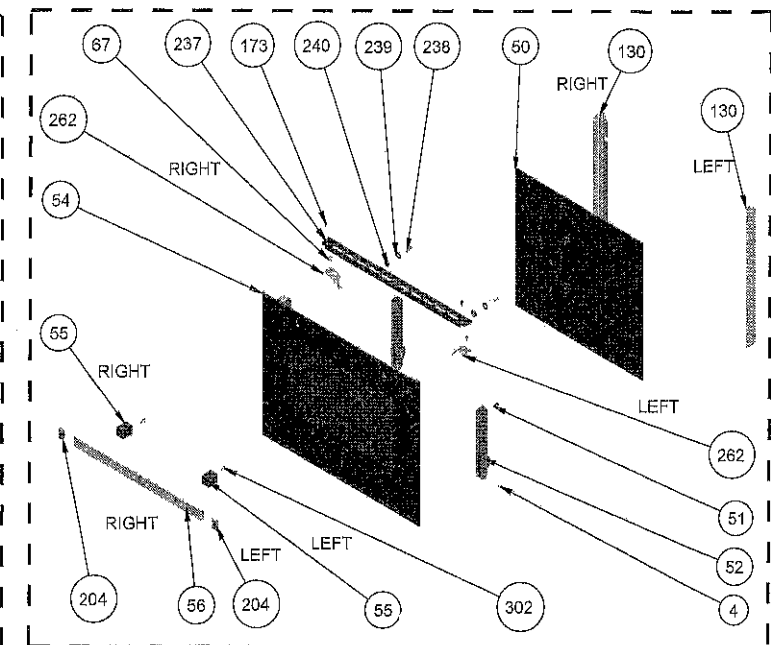
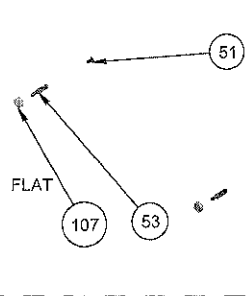
INTERVAL GLASS  
(OPTIONAL)



HANDLE ASSEMBLY GROUP  
(OPTIONAL)  
(POSITION NO 49)

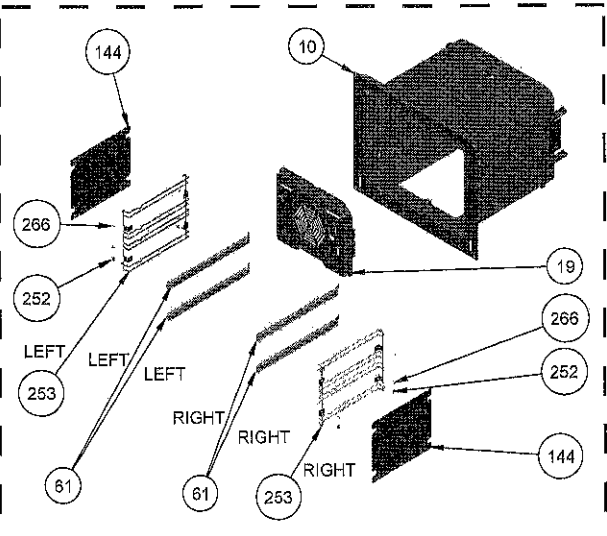


OVEN DOOR OUTER GLASS ASSEMBLY  
WITH INOX ADD-ON TYPES  
(OPTIONAL)

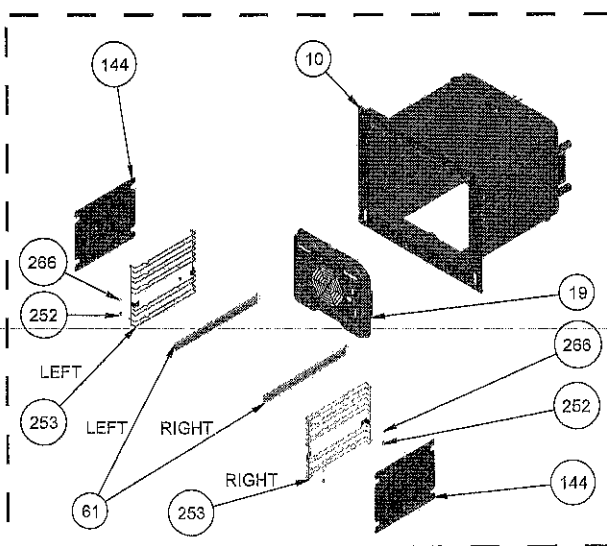
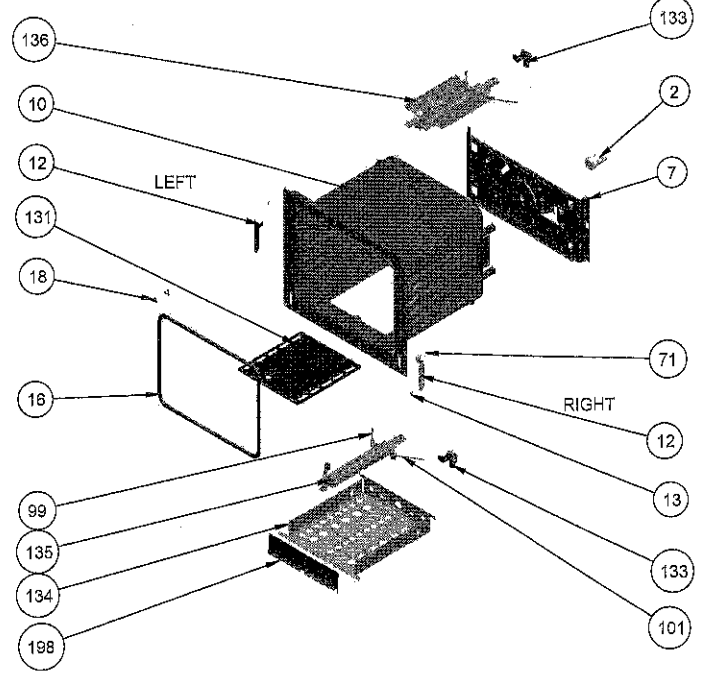


FLAT OVEN DOOR WITH FULL GLASS STRUCTURE  
(OPTIONAL)  
(POSITION NO 377)

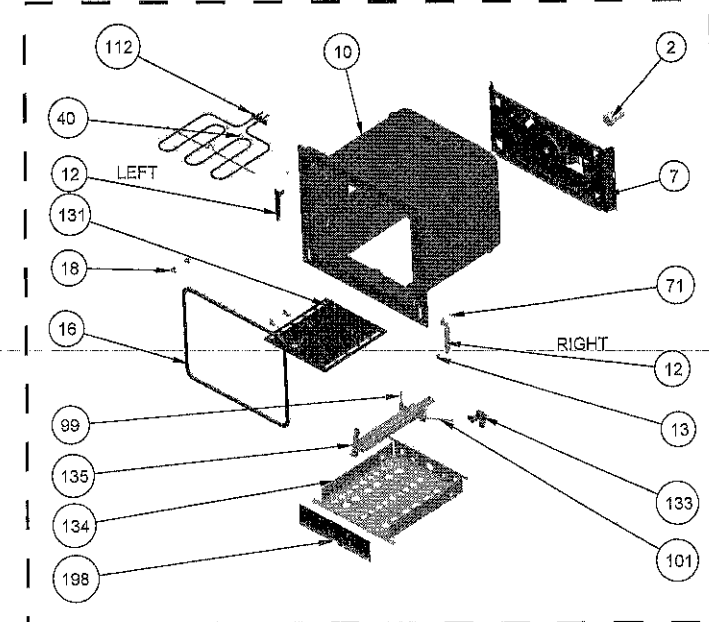
\*Metal frames on outer glass, handle types, handle taps and brackets are optional. Your cooker may be different cosmetically.



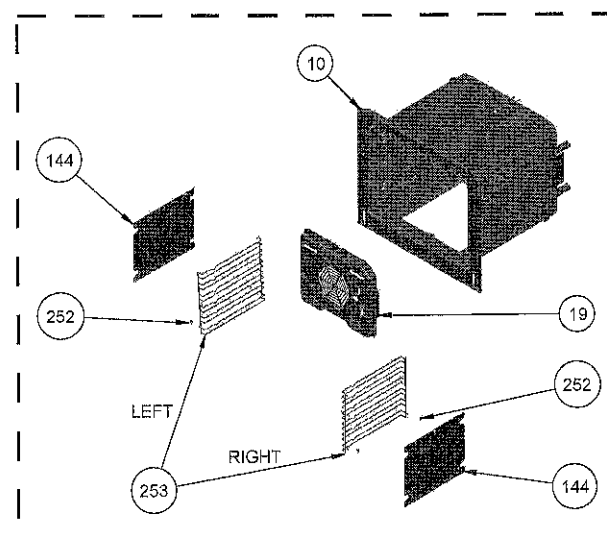
WIRE SHELF CAVITY ASSEMBLY WITH / WITHOUT CATALYTIC PANEL  
 OPTIONAL : DOUBLE TELESCOPIC RAILS (R / L)



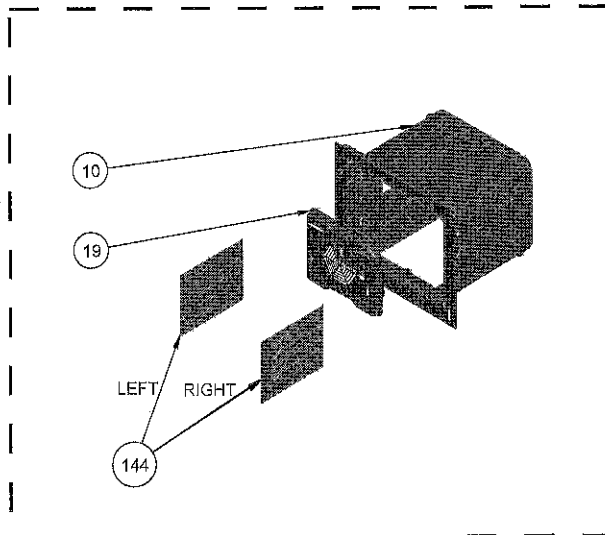
WIRE SHELF CAVITY ASSEMBLY WITH / WITHOUT CATALYTIC PANEL  
 OPTIONAL : TELESCOPIC RAIL (R / L)



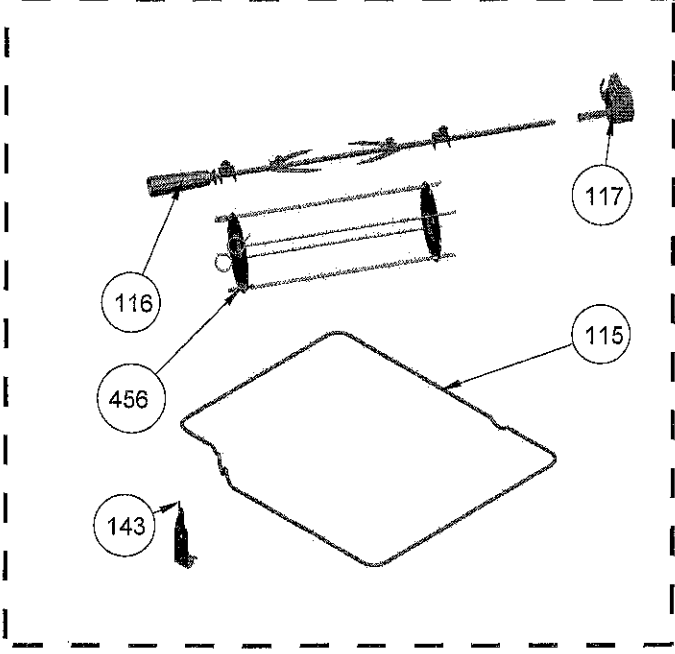
( OPTIONAL ONLY FOR ELECTRIC GRILL FS GAS )



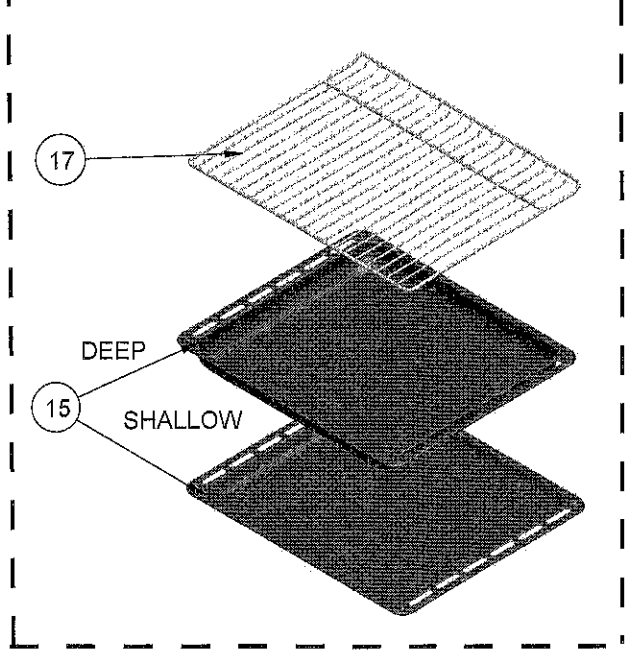
WIRE SHELF CAVITY ASSEMBLY WITH / WITHOUT CATALYTIC PANEL  
 (OPTIONAL)



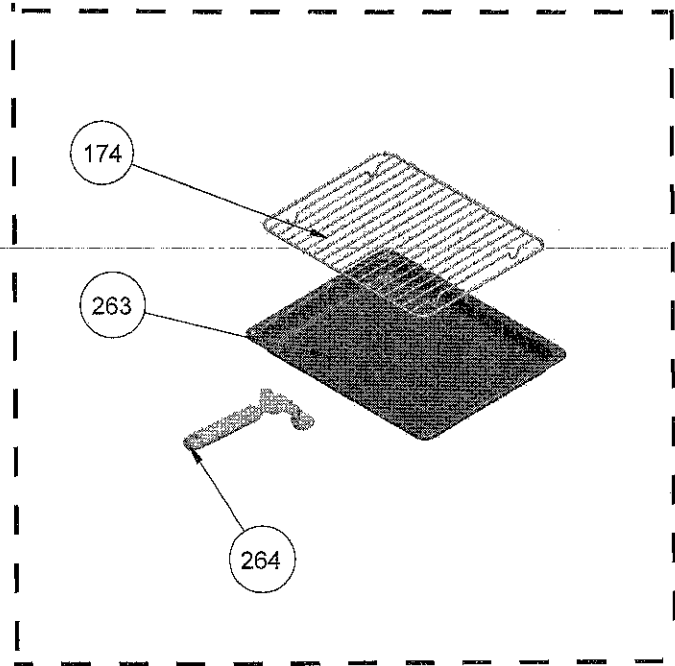
CAVITY ASSEMBLY WITH CATALYTIC PANEL  
 (OPTIONAL)



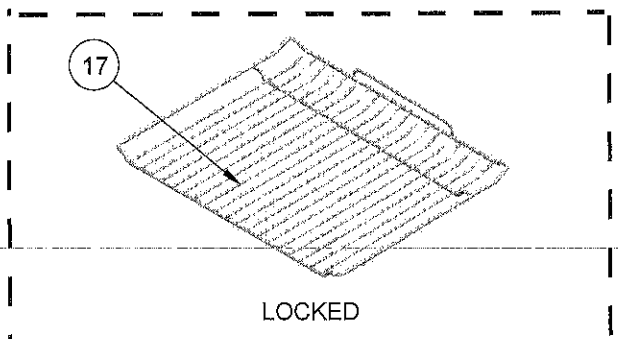
TURNSPIT (OPTIONAL)



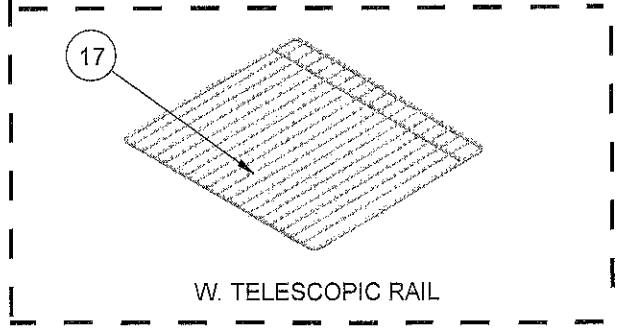
TRAYS & GRID (OPTIONAL)



TRAY SET FOR GRID (POSITION NO : 265) (OPTIONAL)

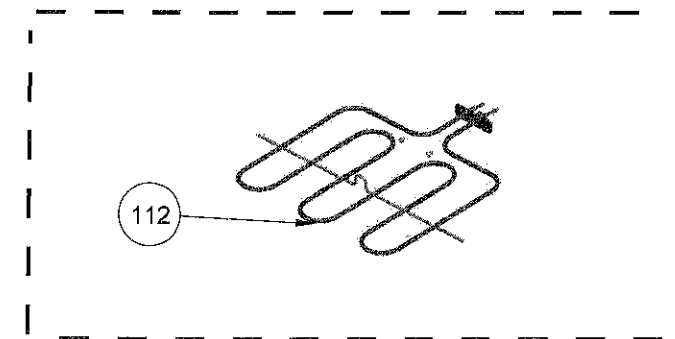


LOCKED

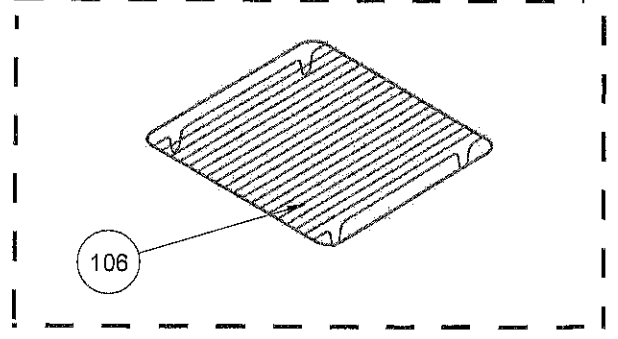


W. TELESCOPIC RAIL

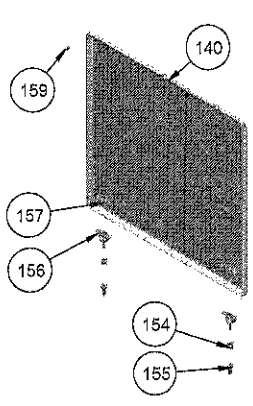
GRID (OPTIONAL)



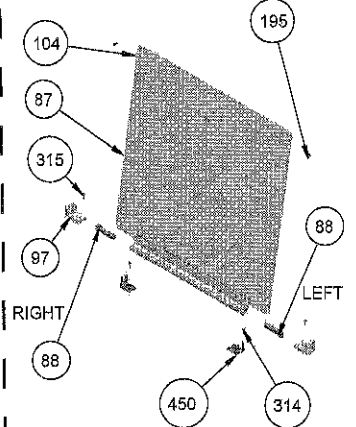
TOP AND GRILL HEATING ELEMENT (OPTIONAL ONLY FOR ELECTRIC GRILL FS GAS)



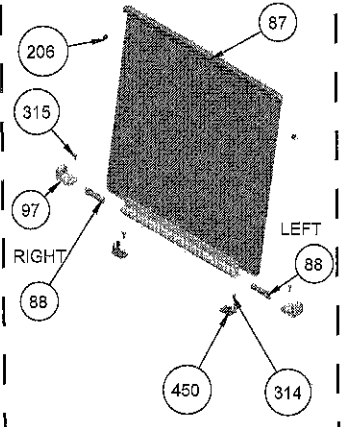
DEEP TRAY GRID (OPTIONAL)



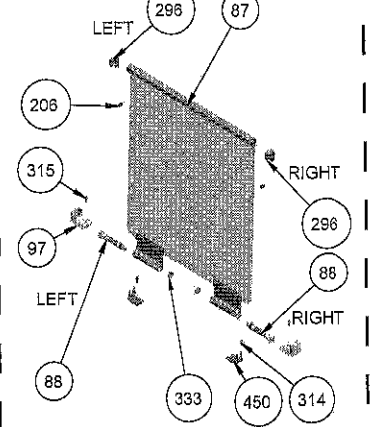
METAL LID OPTIONAL  
(POSITION NO 153)



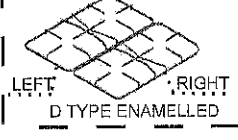
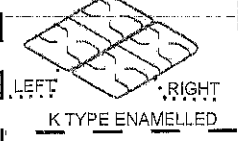
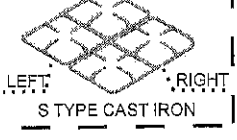
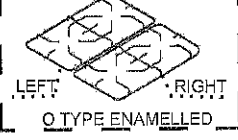
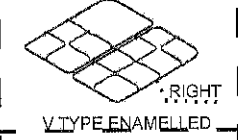
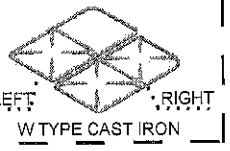
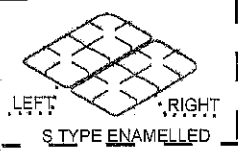
GLASS LID WITH BUMPER OPTIONAL



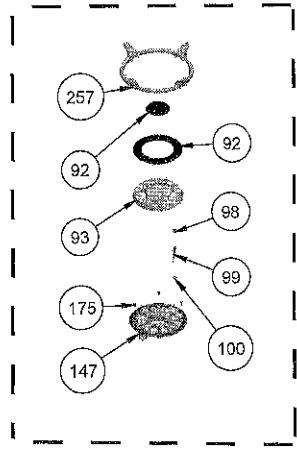
GLASS LID OPTIONAL



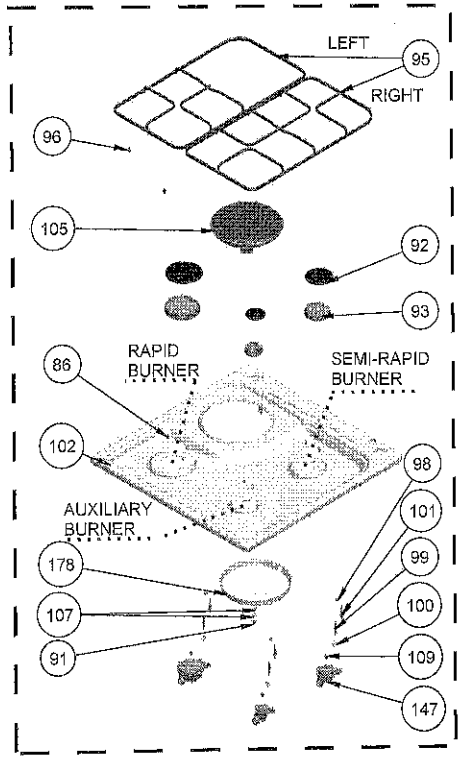
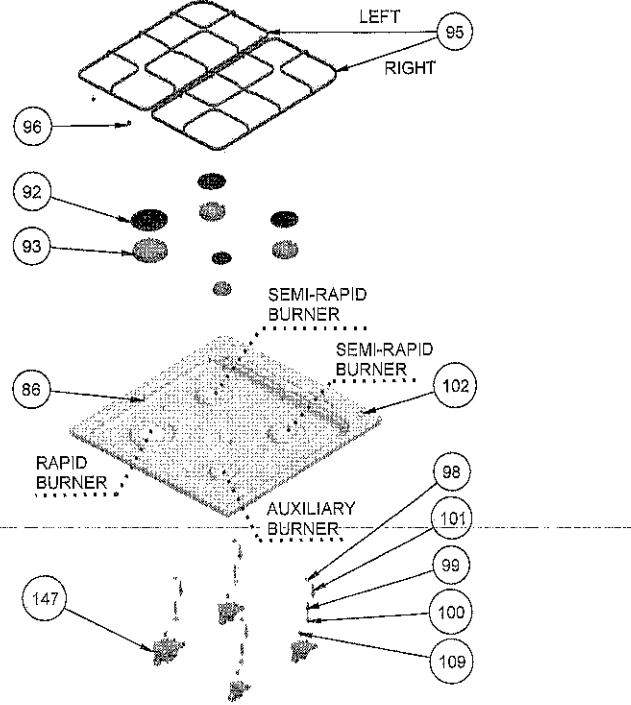
GLASS LID WITH SHORT PROFILE OPTIONAL



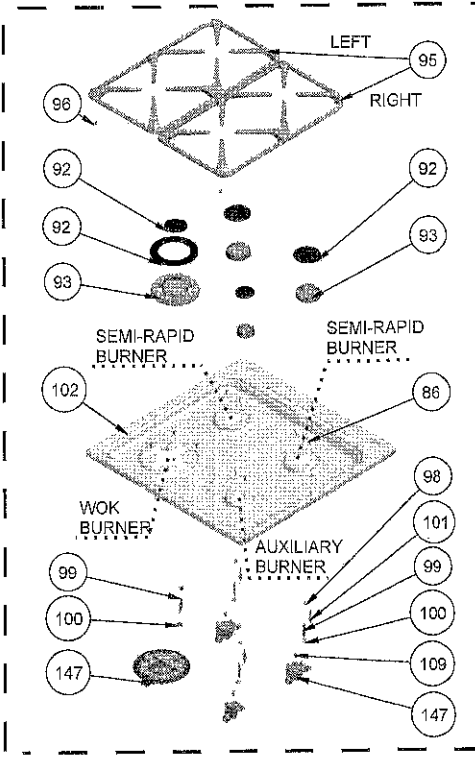
PAN SUPPORTS (OPTIONAL)



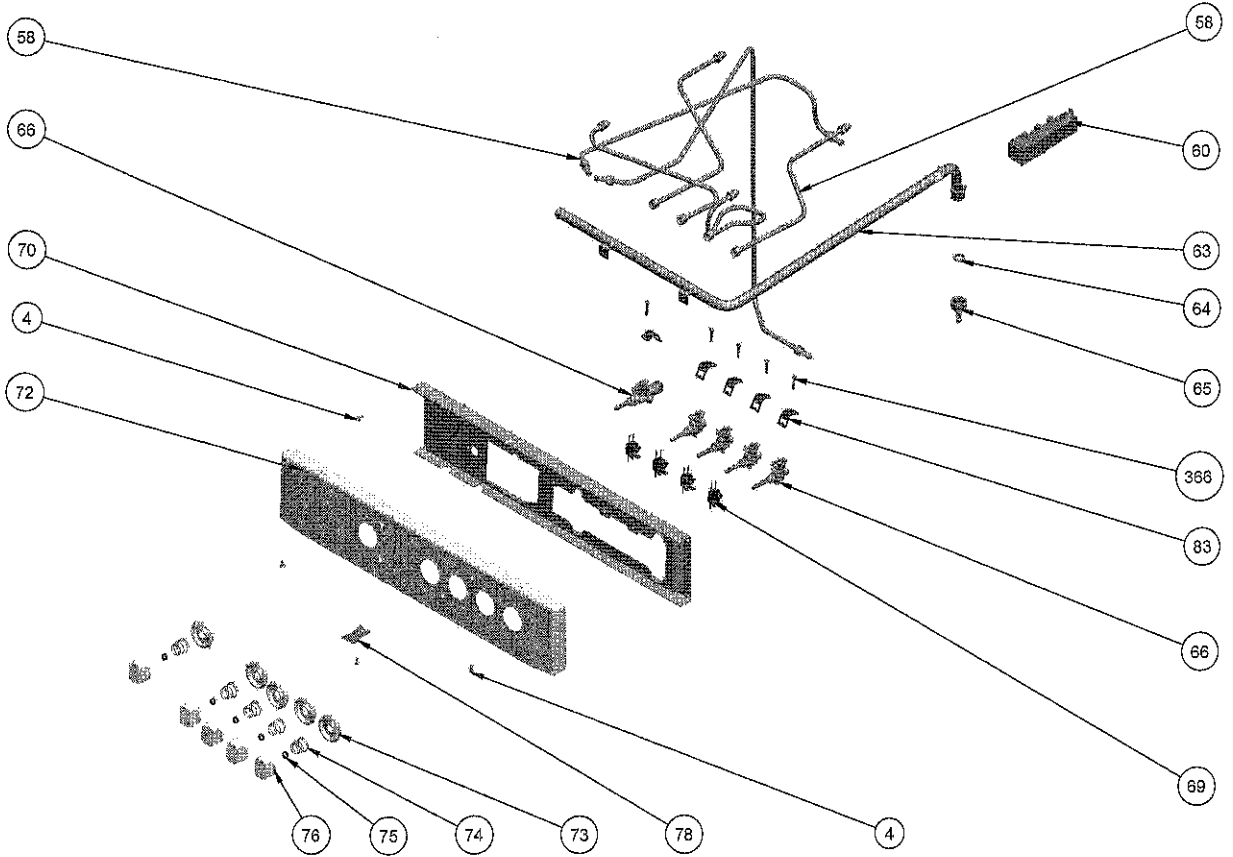
WOK BURNER (OPTIONAL)



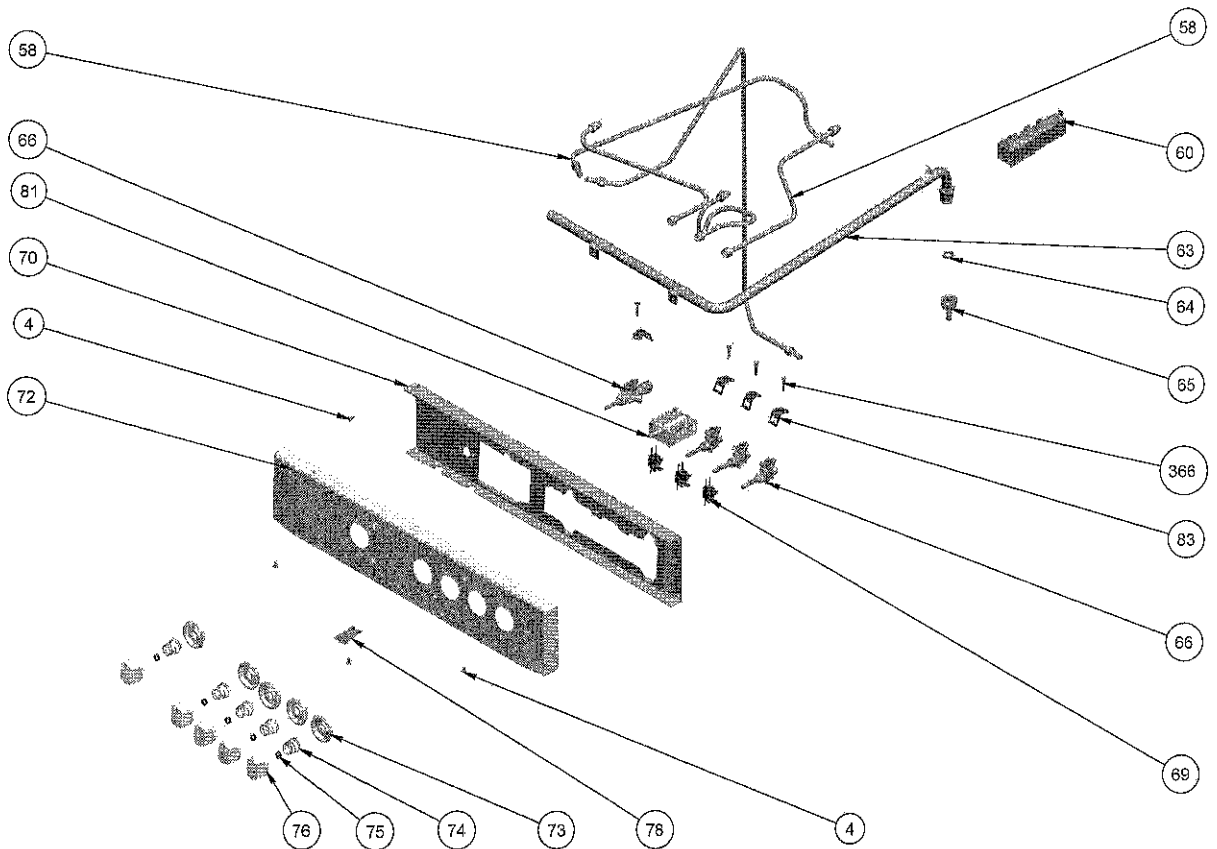
3 GAS 1 ELECTRIC



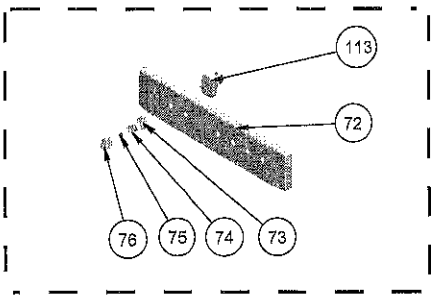
3 GAS + WOK BURNER



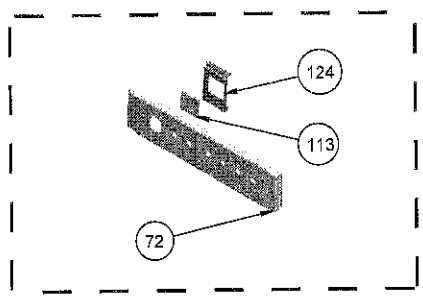
4G CONTROL PANEL ASSEMBLY



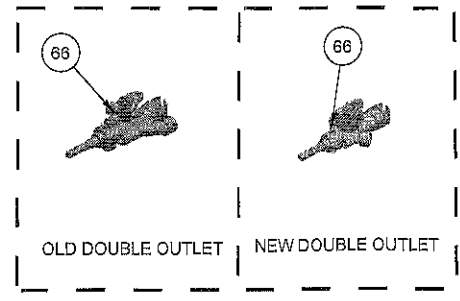
3G-1E CONTROL PANEL ASSEMBLY



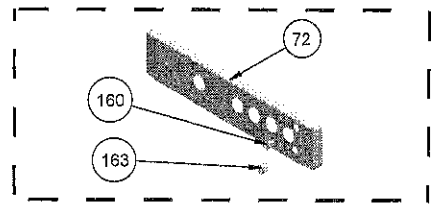
MECHANIC TIMER  
(OPTIONAL)



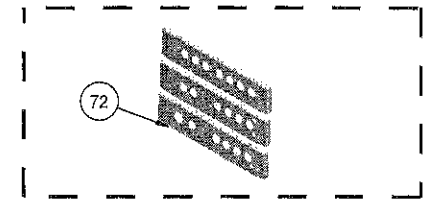
ANALOG TIMER  
(OPTIONAL)



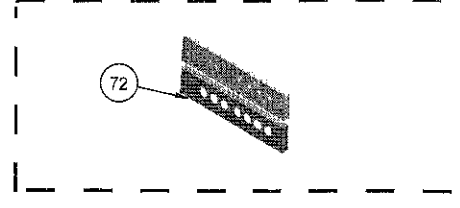
OVEN VALVES FOR  
FFD, WITHOUT THERMOSTAT



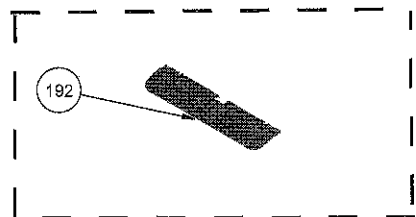
SPARK/LAMP BUTTON (OPTIONAL)



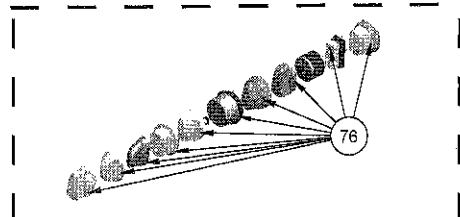
3D METAL CONTROL PANELS  
(OPTIONAL)



FLAT METAL CONTROL PANELS  
(OPTIONAL)

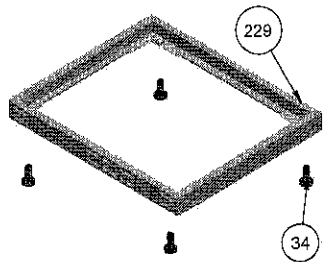


GRILL HEAT COVER (OPTIONAL)

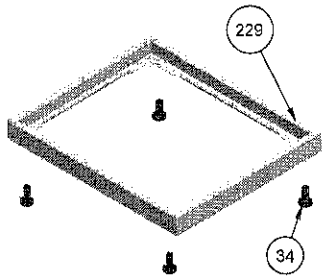


KNOBS (OPTIONAL)



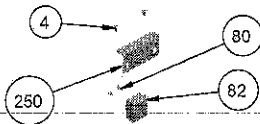


EXTRA BOTTOM SUPPORT (WITH LOUVRES)

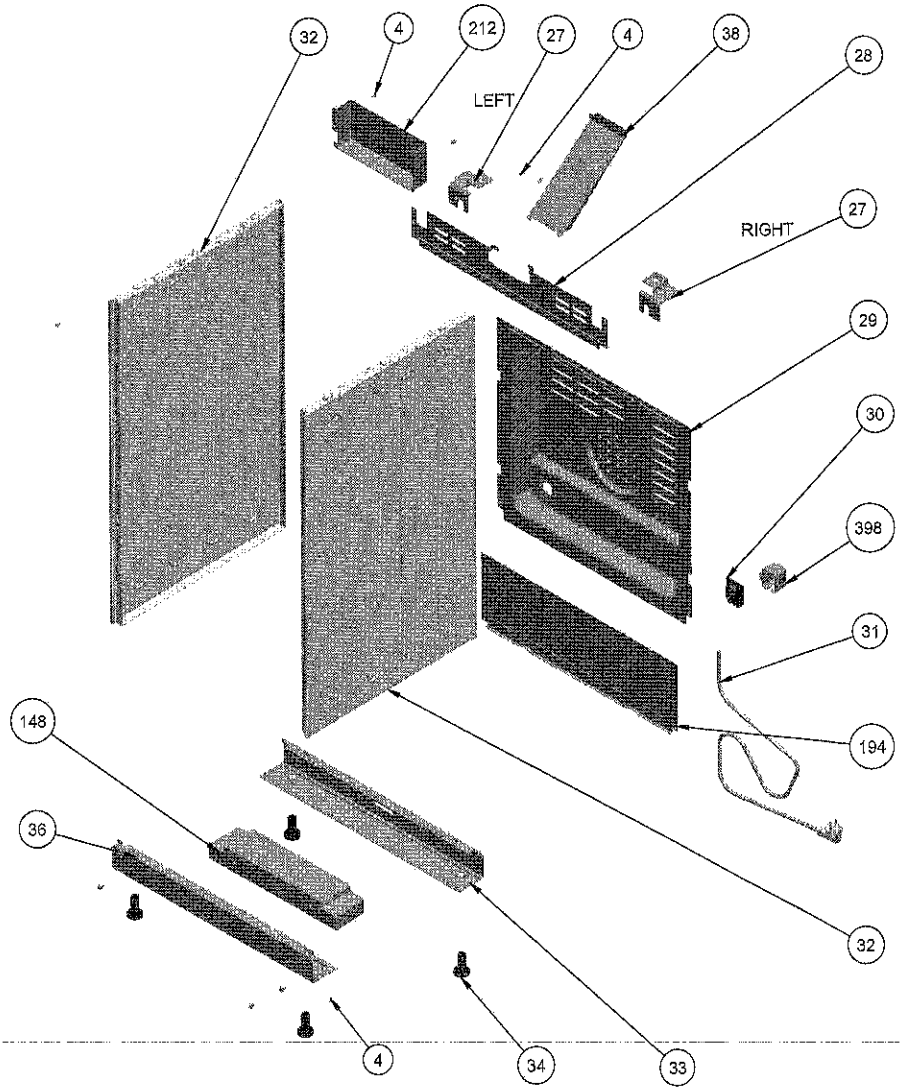


ADDITIONAL BOTTOM SUPPORT

OPTIONAL  
(ONLY FOR FS 90 CM)

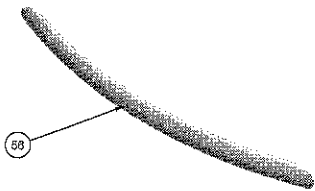


(OPTIONAL ONLY FOR ELECTRIC GRILL FS GAS)

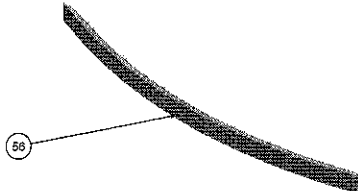


OVEN DOOR HANDLES (OPTIONAL)

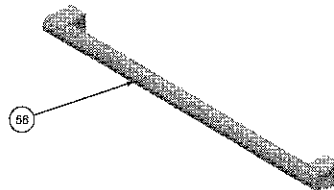
HANDLES WITHOUT TAP & BRACKET



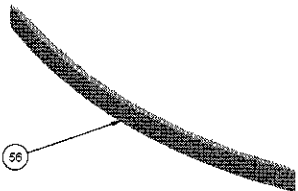
ELLIPSE ARC



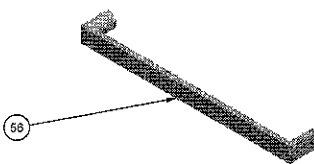
D PROFILE ARC



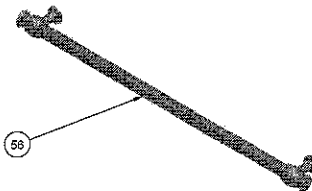
METALUX



D PROFILE ARC, ELECTROLUX  
(ONLY FOR FS - OPTIONAL)

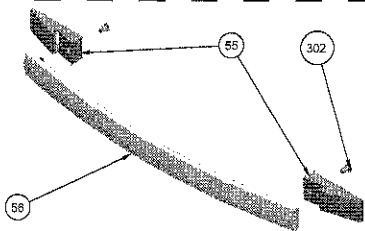


FNP  
(ONLY FOR BUILT-IN - OPTIONAL)

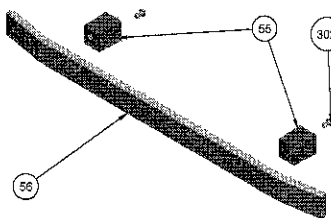


RUSTIC

HANDLES WITH BRACKET

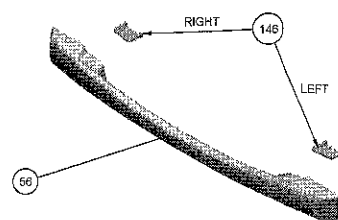


ARC QUADRANGLE



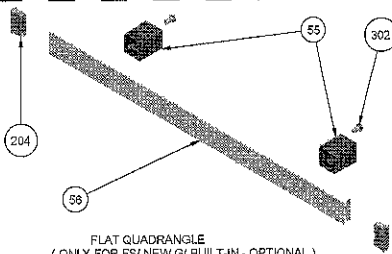
3D QUADRANGLE  
(ONLY FOR FS/ NEW G/ BUILT-IN - OPTIONAL)

HANDLES WITH TUNNEL TAP

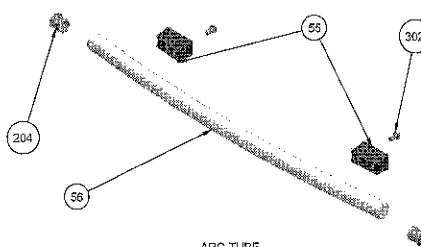


NO FAN TYPE  
(ONLY FOR BUILT-IN - OPTIONAL)

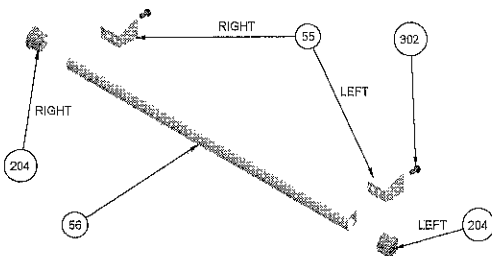
HANDLES WITH TAP & BRACKET



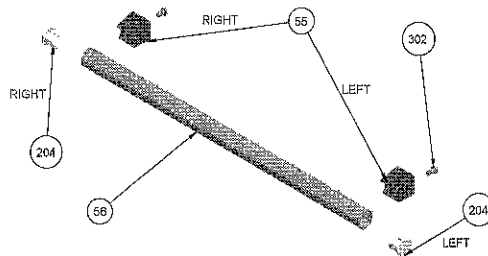
FLAT QUADRANGLE  
(ONLY FOR FS/ NEW G/ BUILT-IN - OPTIONAL)



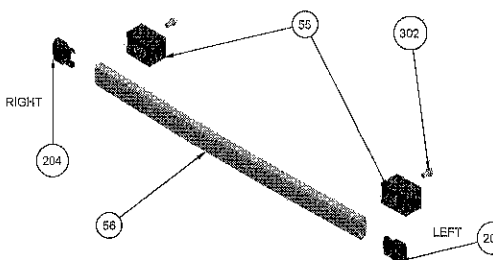
ARC TUBE



FLAT SLICE

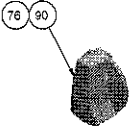


TRIO

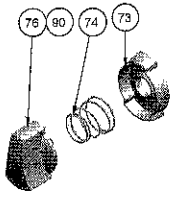


CURVED QUADRANGLE

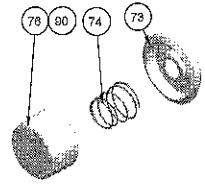
KNOBS ( ONLY FOR FS - OPTIONAL )



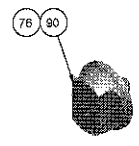
DELTA



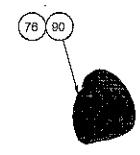
DELTA RING



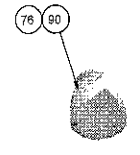
SIGMA (SMALL)



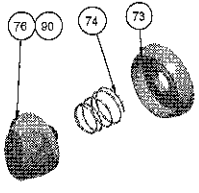
ALFA



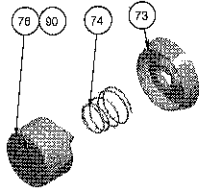
GAMA



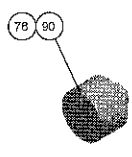
ZETA



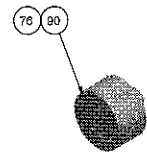
ELECTROLUX



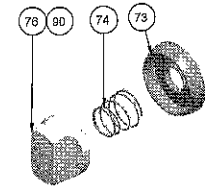
SIGMA KD



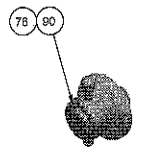
SMALL MEKA



BIG MEKA



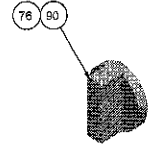
TRIO



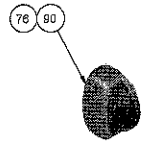
RUSTIC RISUS



ECLIPSE



NORD



JANLU