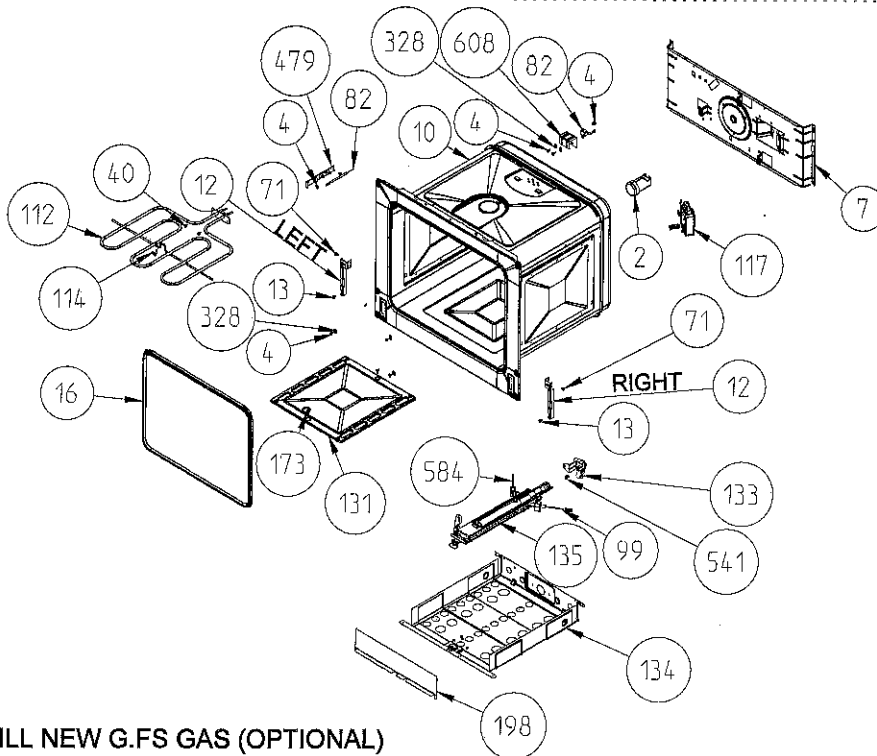
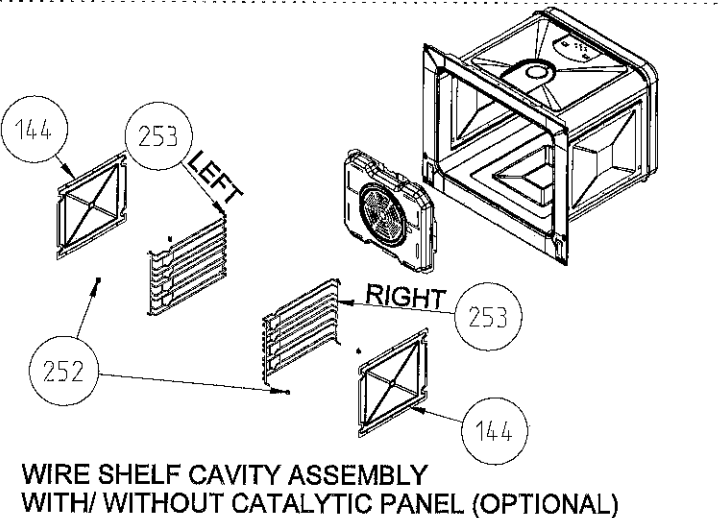


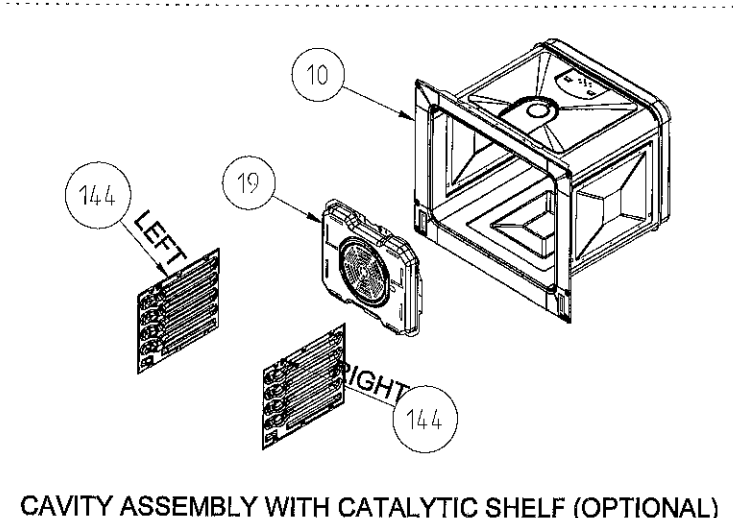
NEW G.FS GAS (OPTIONAL)



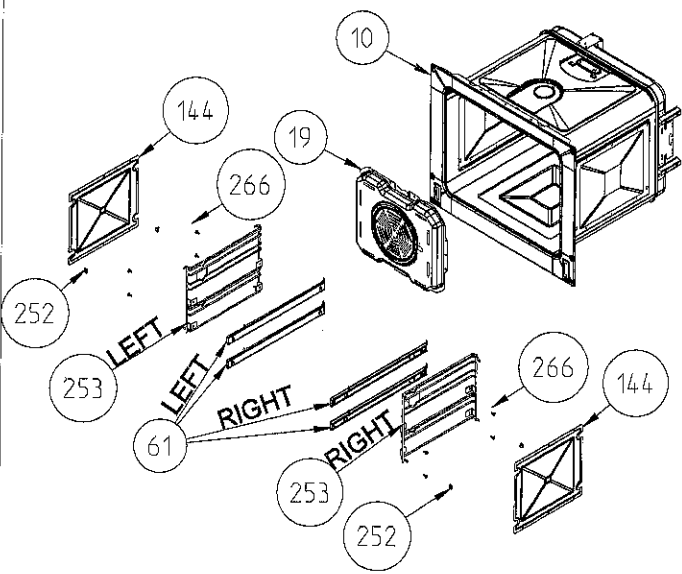
ONLY FOR ELECTRIC GRILL NEW G.FS GAS (OPTIONAL)



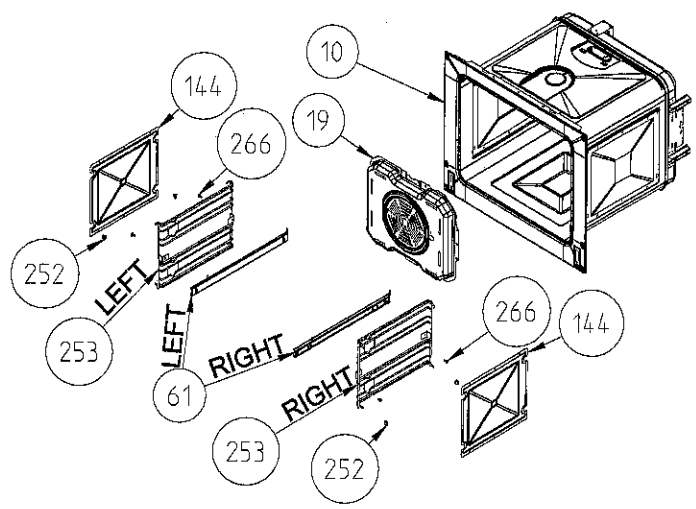
WIRE SHELF CAVITY ASSEMBLY WITH/ WITHOUT CATALYTIC PANEL (OPTIONAL)



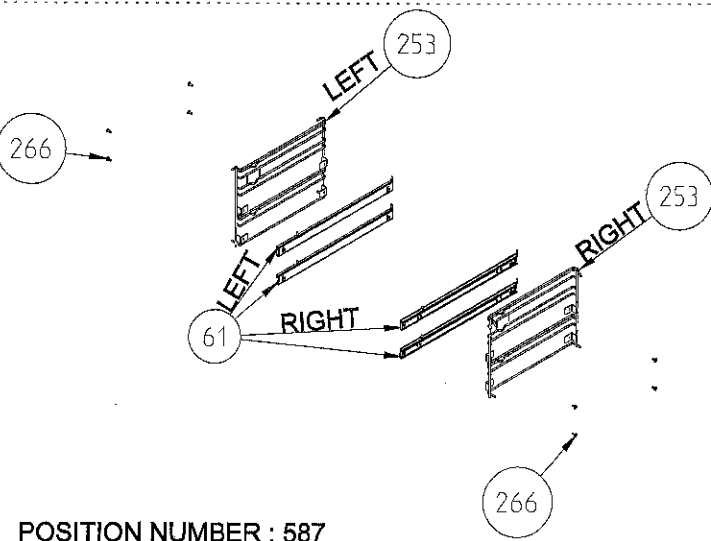
CAVITY ASSEMBLY WITH CATALYTIC SHELF (OPTIONAL)



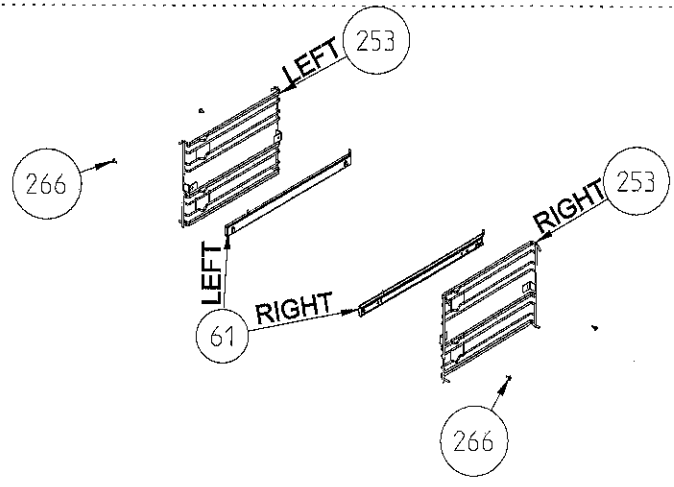
WIRE SHELF CAVITY ASSEMBLY
WITH/ WITHOUT CATALYTIC PANEL
OPTIONAL:DOUBLE TELESCOPIC RAIL (R / L)



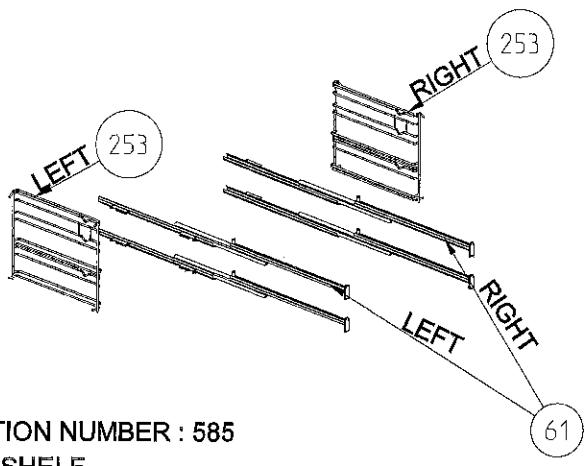
WIRE SHELF CAVITY ASSEMBLY
WITH/ WITHOUT CATALYTIC PANEL
OPTIONAL:TELESCOPIC RAIL (R / L)



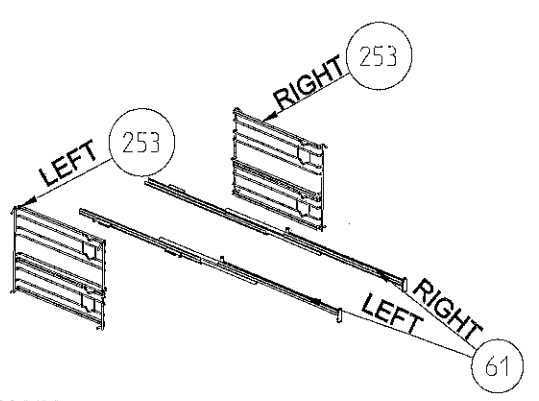
POSITION NUMBER : 587
WIRE SHELF
OPTIONAL:DOUBLE TELESCOPIC RAIL (R / L) GROUP



POSITION NUMBER :588
WIRE SHELF
OPTIONAL: SINGLE TELESCOPIC RAIL (R / L) GROUP

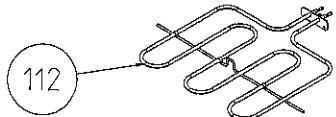


POSITION NUMBER : 585
WIRE SHELF
OPTIONAL:DOUBLE TELESCOPIC RAIL (R / L) GROUP



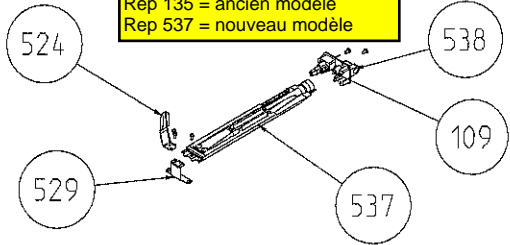
POSITION NUMBER: 586
WIRE SHELF
OPTIONAL: SINGLE TELESCOPIC RAIL (R / L) GROUP

ATTENTION
 2 modèles pour Brûleur four
 Rep 135 = ancien modèle
 Rep 537 = nouveau modèle

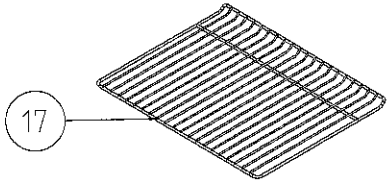


112

TOP AND GRILL HEATING ELEMENT
 (OPTIONAL ONLY FOR
 ELECTRIC GRILL NEW G.F.S GAS)

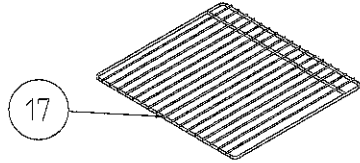


OVEN BURNER
 (ONLY FOR NEW G.F.S GAS)



17

LOCKED



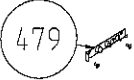
17

W. TELESCOPIC RAIL
 GRID (OPTIONAL)

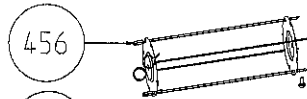


116

TURNSPIT HANDLE / SKEWER

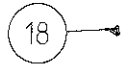


479



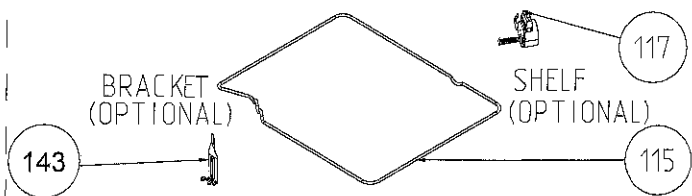
456

SHISH KEBAB
 ACCESSORY (OPTIONAL)



18

THERMIST BULB
 HOLDER/BACKET



143

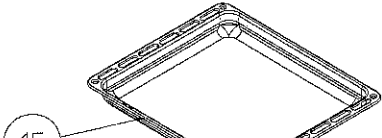
BRACKET
 (OPTIONAL)

SHELF
 (OPTIONAL)

117

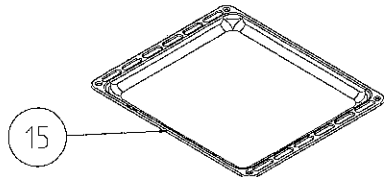
115

TURNSPIT (OPTIONAL)



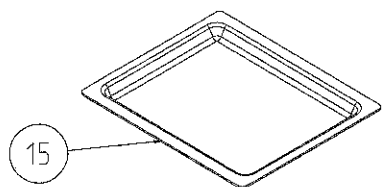
15

DEEP



15

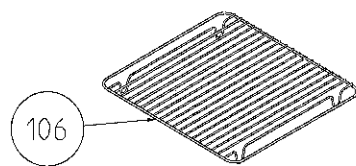
SHALLOW



15

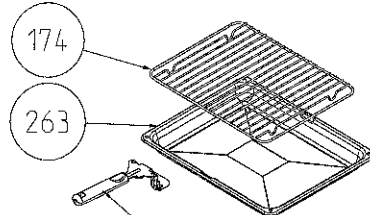
GLASS

TRAYS (OPTIONAL)



106

DEEP TRAY GRID (OPTIONAL)



174

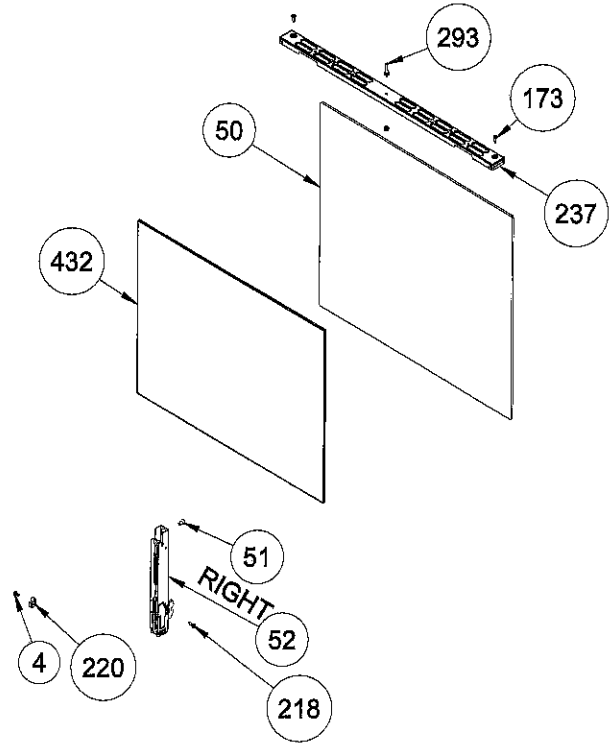
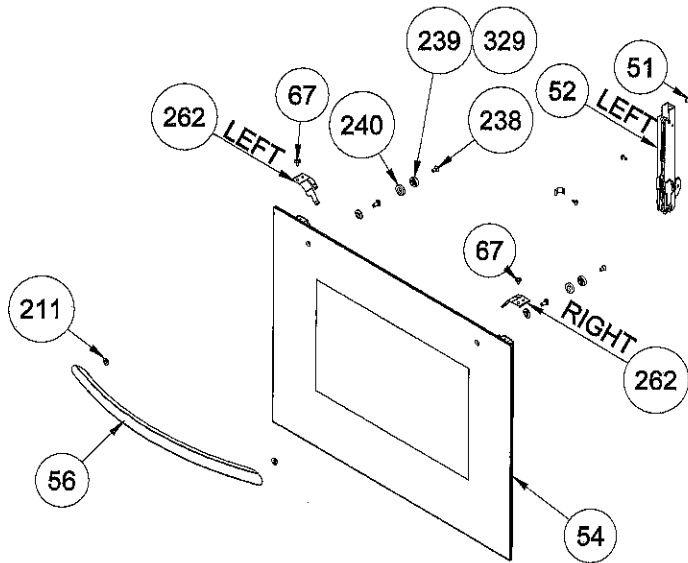
263

264

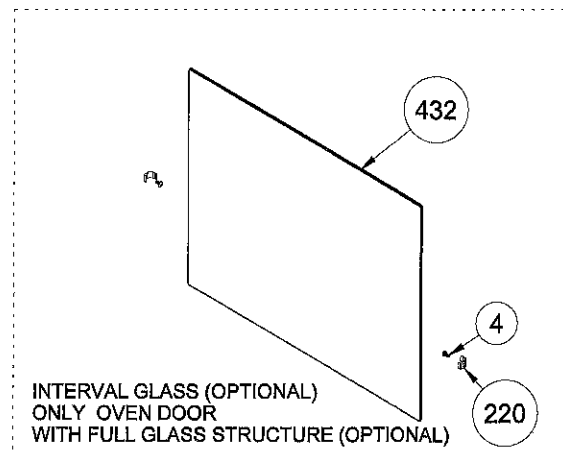
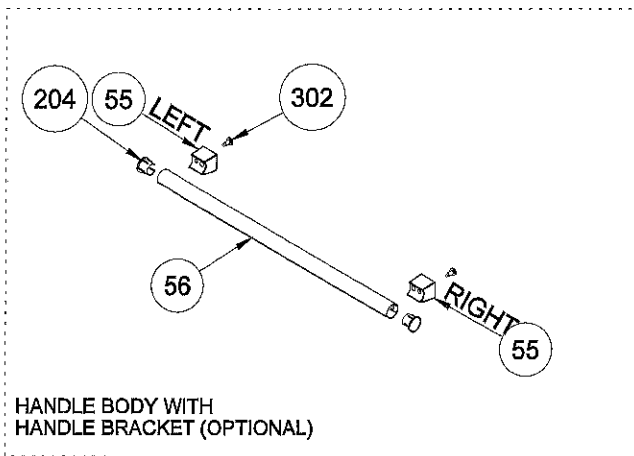
GRILL PAN AND HANDLE SET
 (TRAY SET FOR GRILL) -
 POSITION NO 265 (OPTIONAL)

OVEN DOOR ASSEMBLY EXPLODED VIEW (OPTIONAL)

POSITION
NUMBER :377
(DOOR)

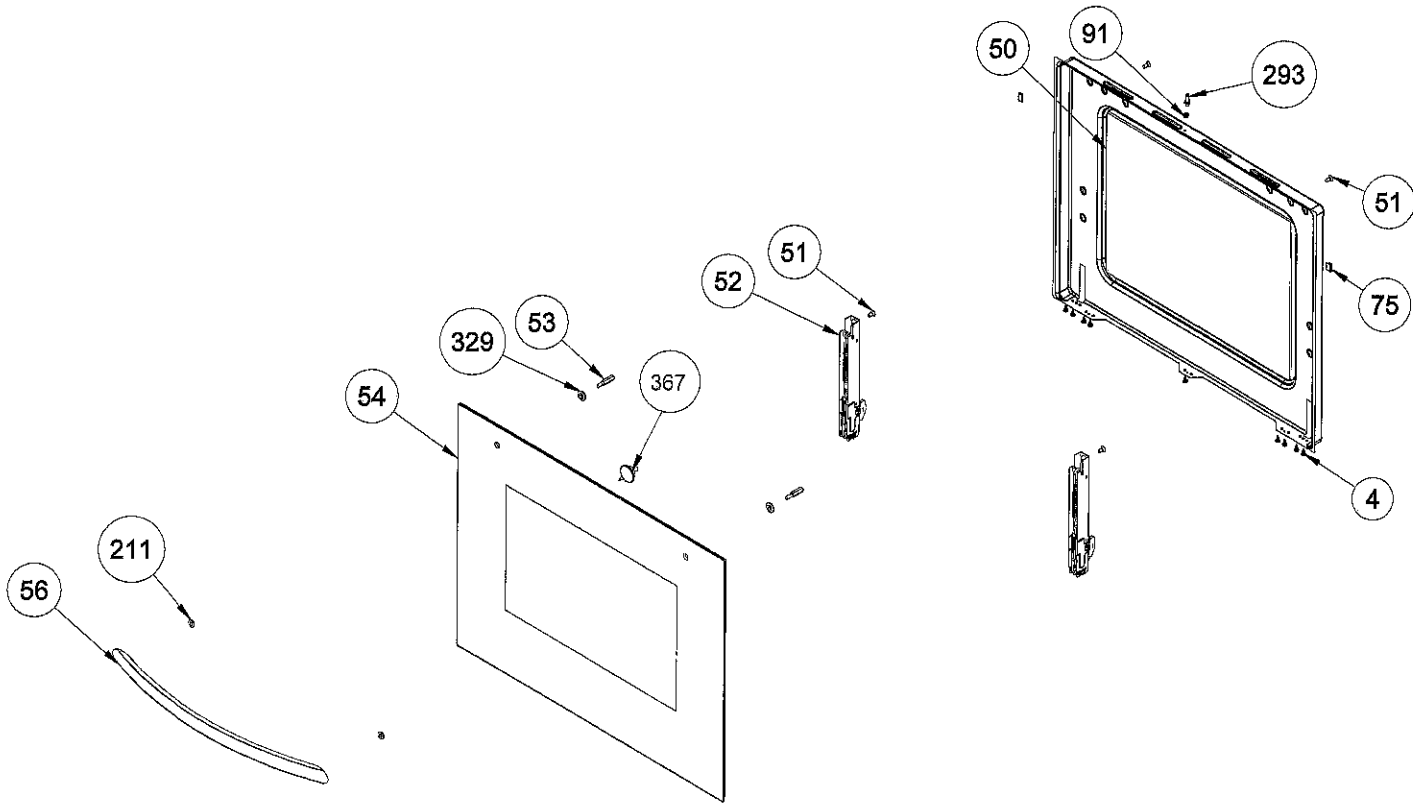


Note :
220,239,240,432 Is for Removable Third Glass Versions
262,67 is for Removable Glass Versions



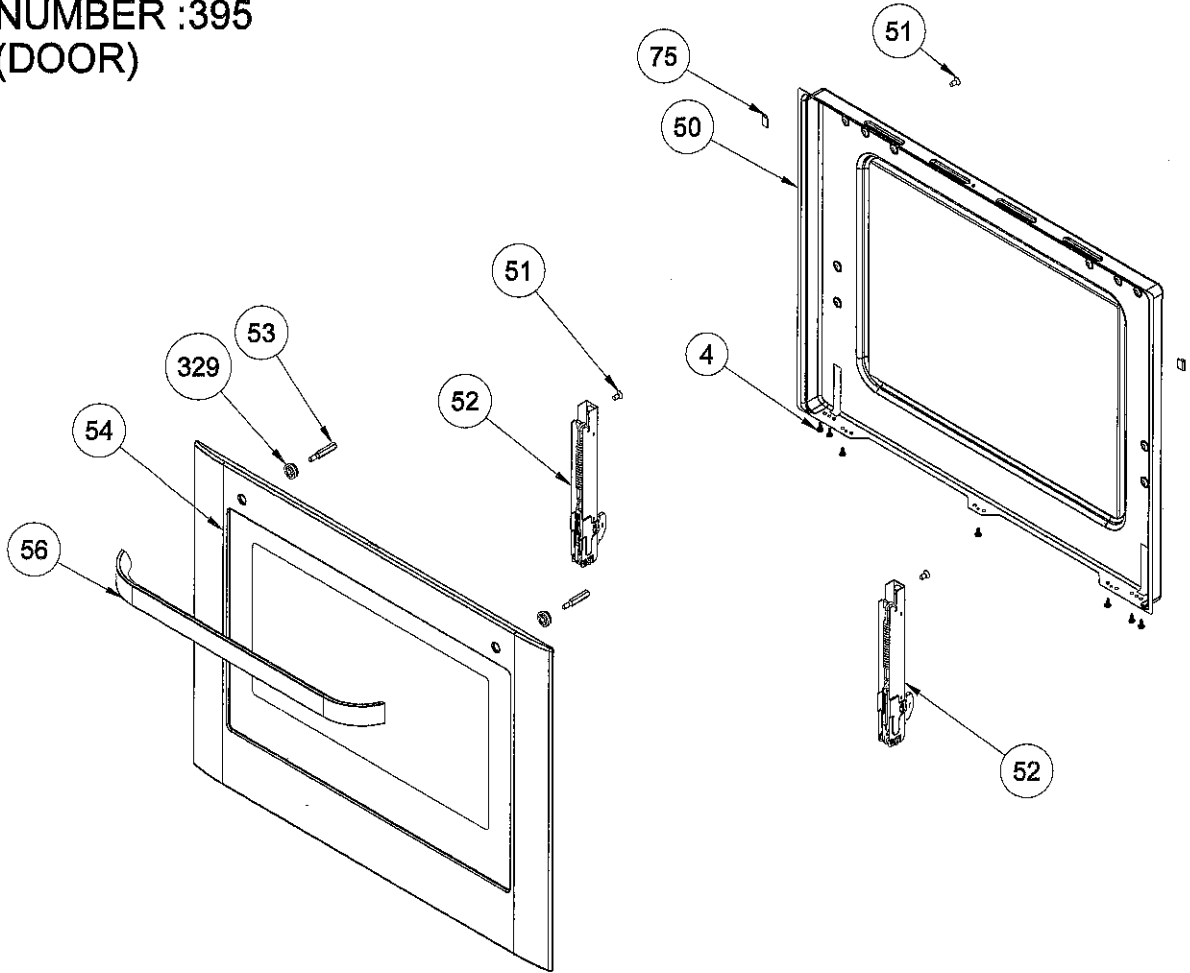
SOLID TYPE OVEN DOOR ASSEMBLY EXPLODED VIEW
(FRONT VIEW OF GLASS)
(OPTIONAL)

POSITION
NUMBER :376
(DOOR)

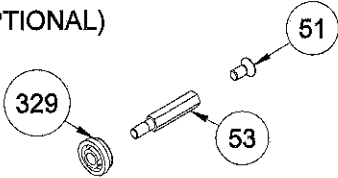


SOLID TYPE OVEN DOOR ASSEMBLY EXPLODED VIEW (FRONT VIEW OF METAL WITH GLASS) (OPTIONAL)

**POSITION
NUMBER :395
(DOOR)**

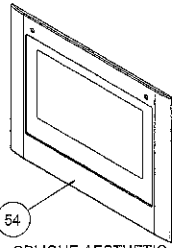


(OPTIONAL)

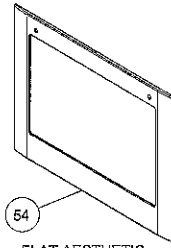


TYPE 1

**HANDLE ASSEMBLY GROUP
POSITION NUMBER : 49
(OPTIONAL)**



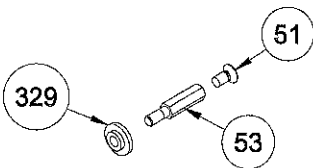
OBLIQUE AESTHETIC



FLAT AESTHETIC

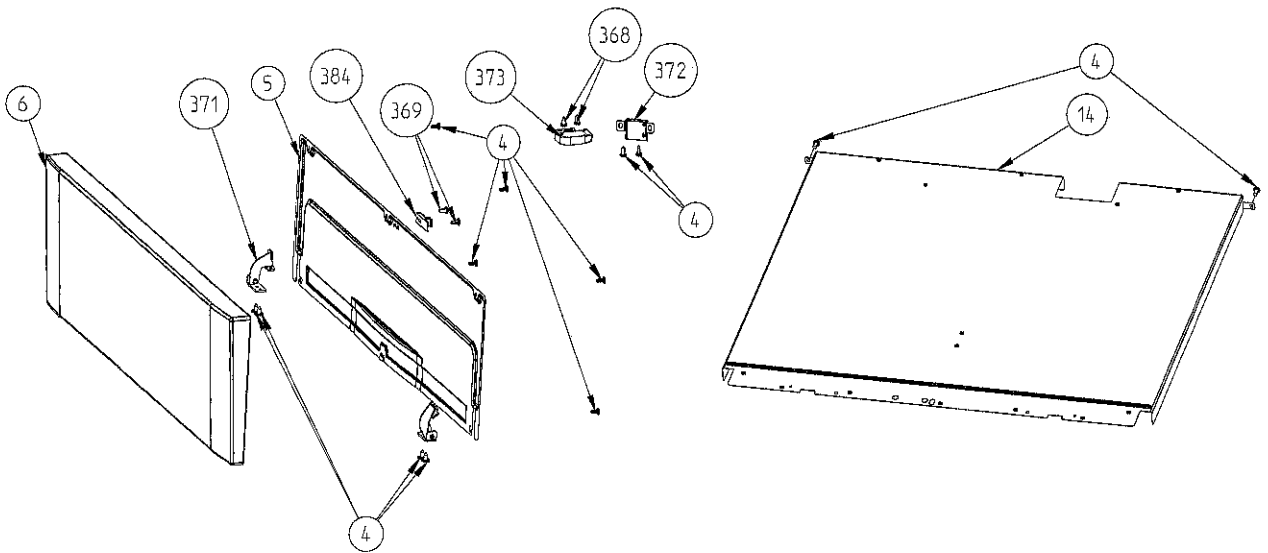
SOLID TYPE - POSITION NO 54 (OPTIONAL)

(OPTIONAL)

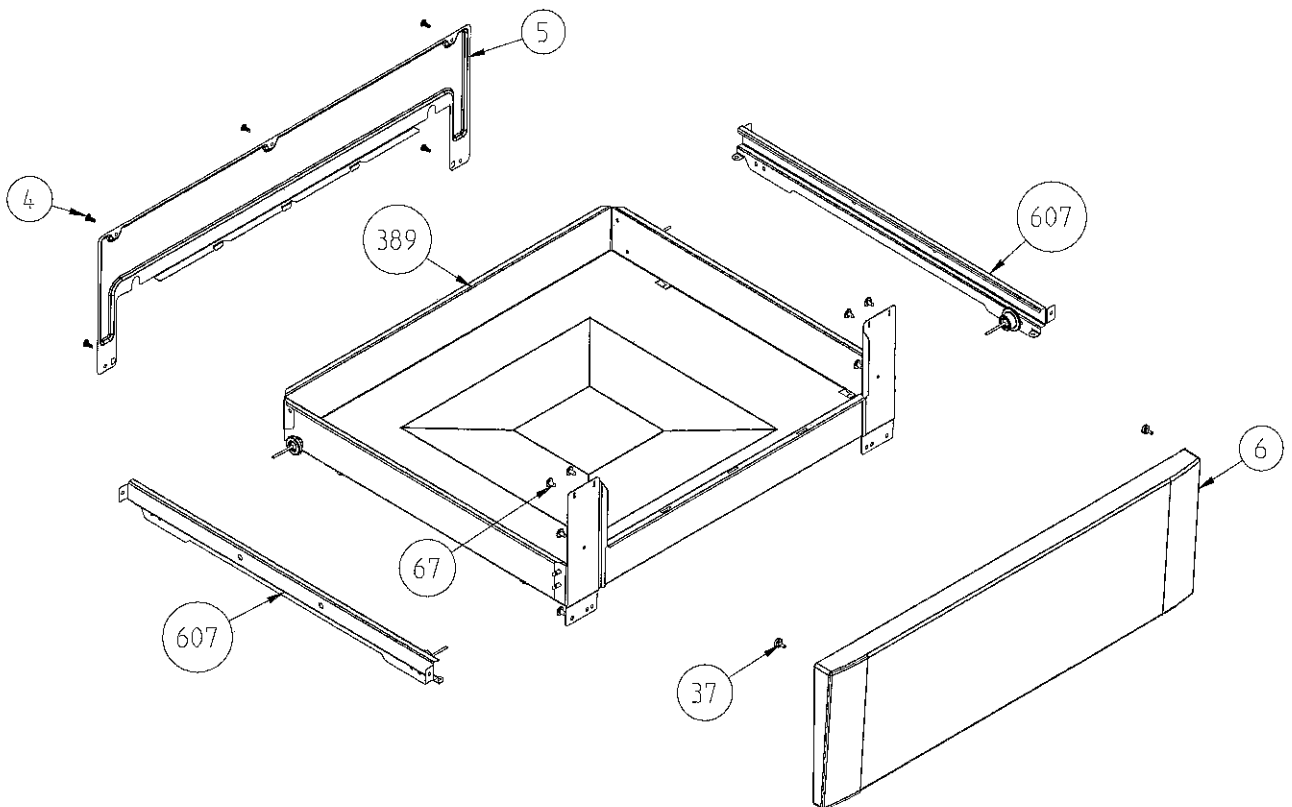


TYPE 2

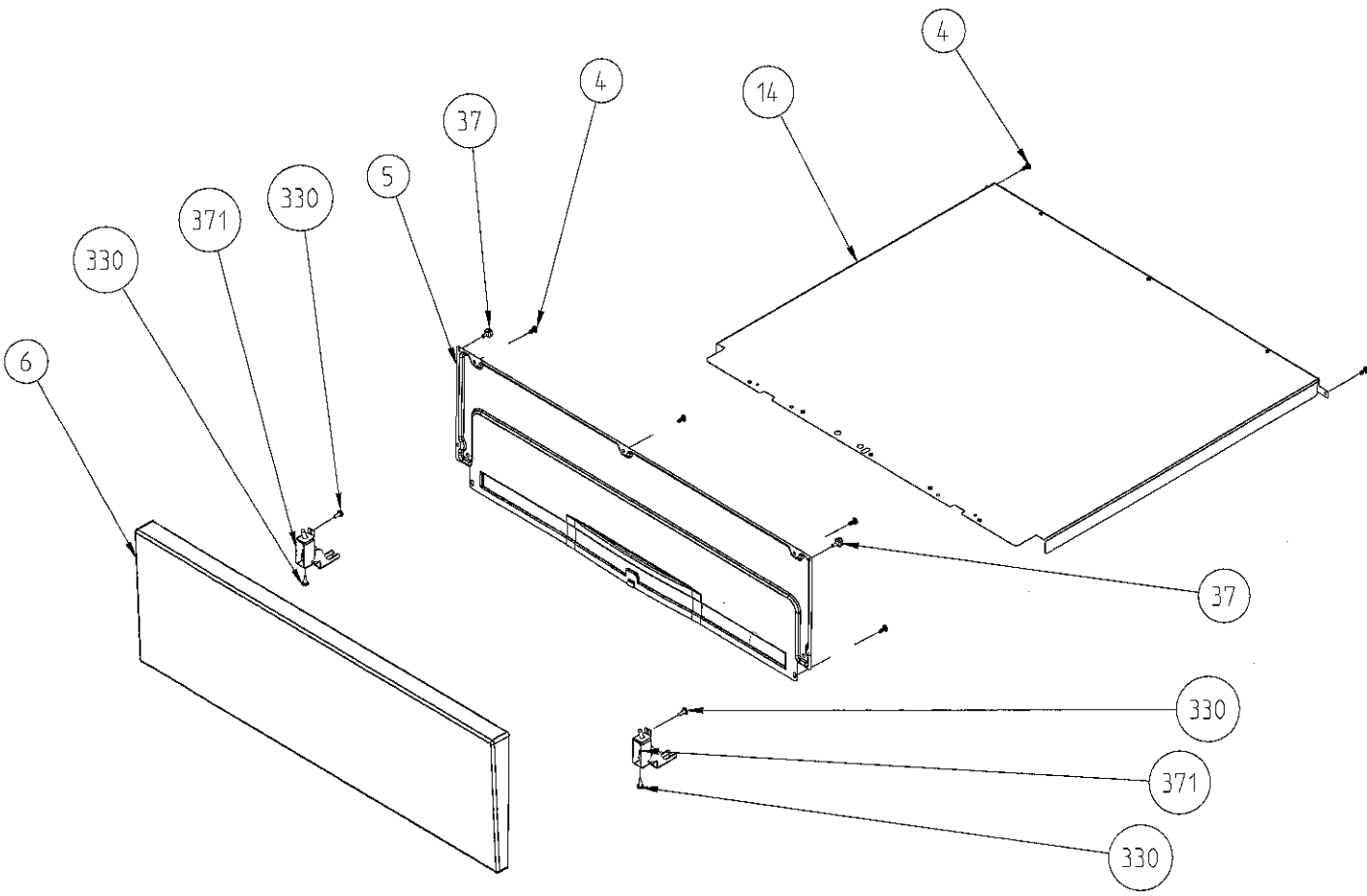
**HANDLE ASSEMBLY GROUP
POSITION NUMBER : 49
(OPTIONAL)**



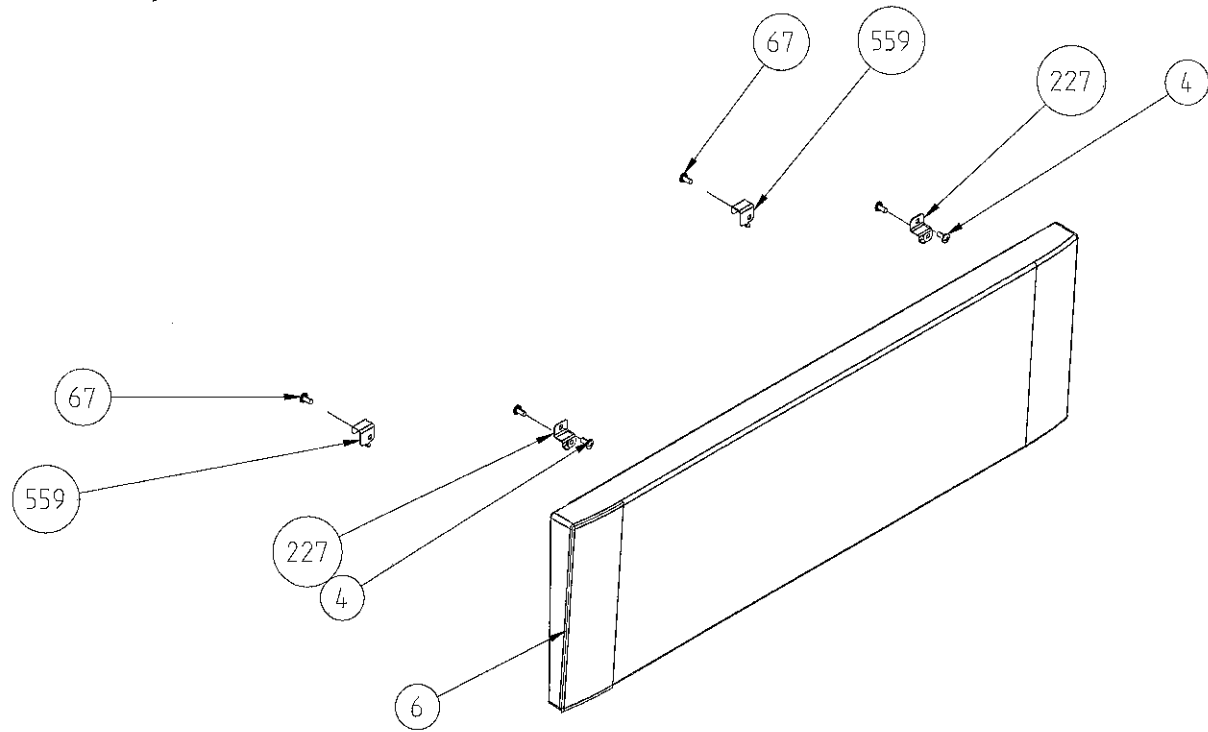
PUSH PULL FLAP DRAWER ASSEMBLY (OPTIONAL)



4WG DRAWER ASSEMBLY (OPTIONAL)



YNTB FLAP DRAWER ASSEMBLY

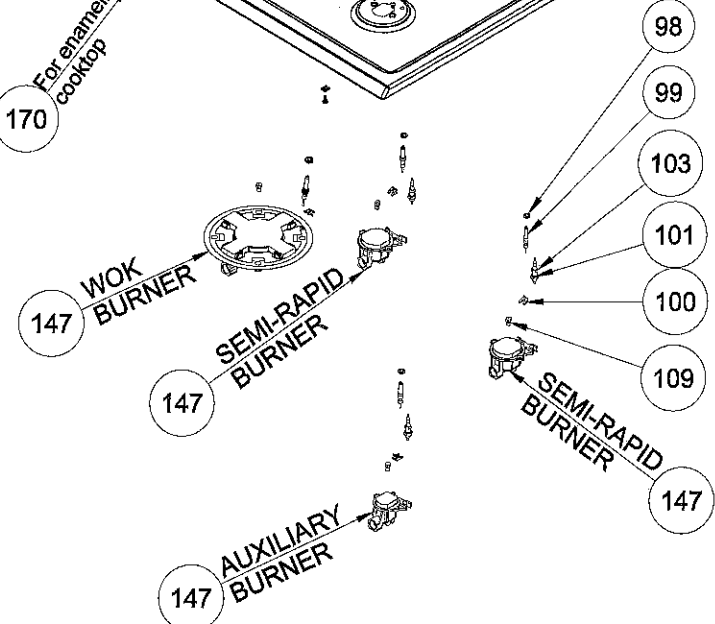
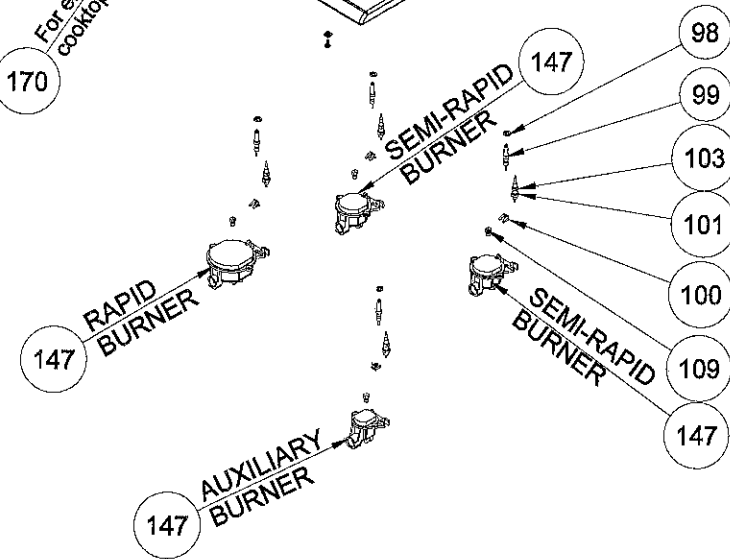
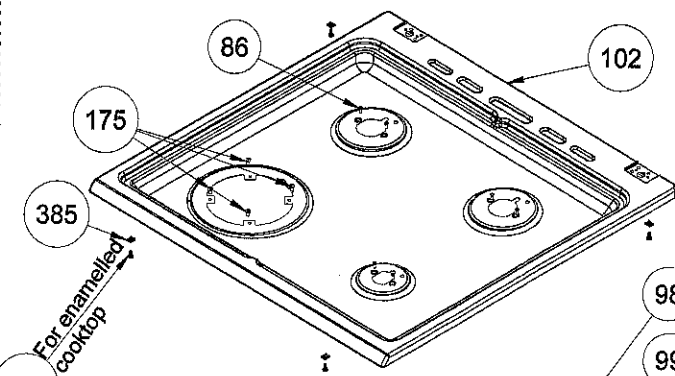
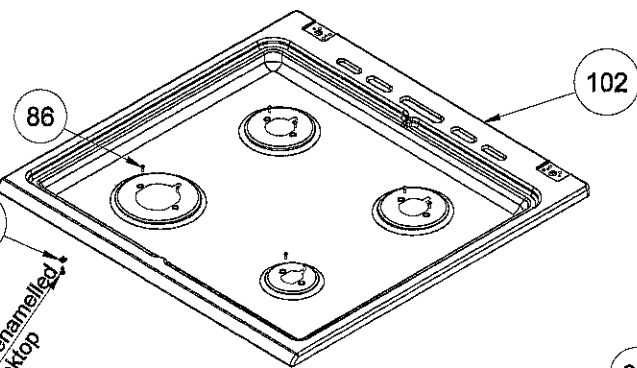
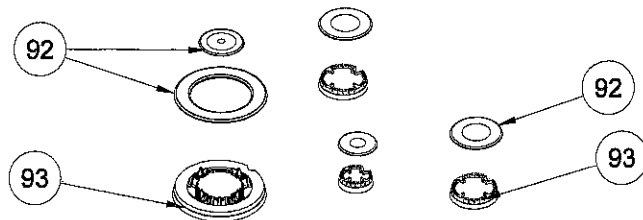
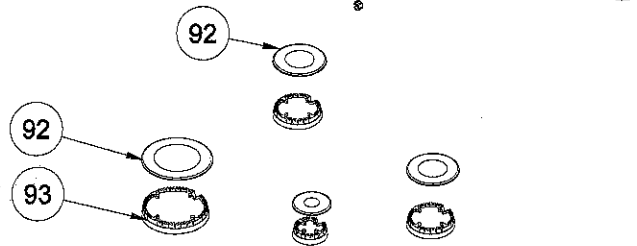
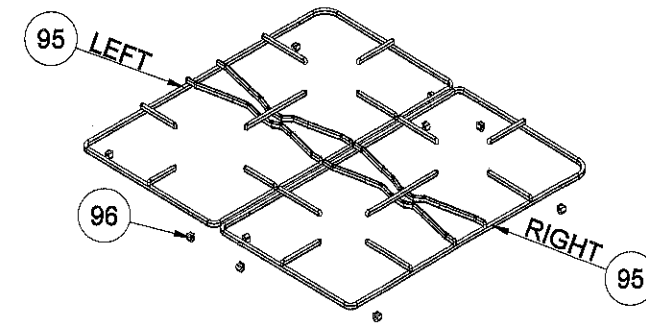
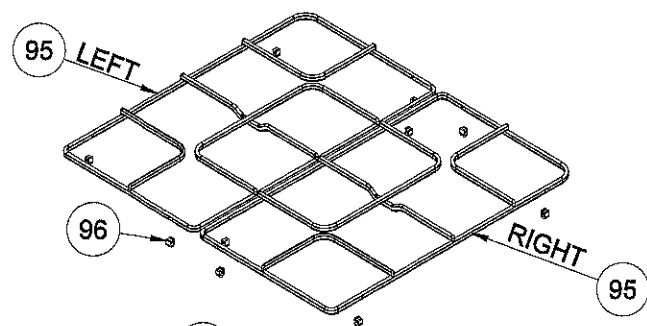


FIXED DRAWER ASSEMBLY
(OPTIONAL)

FREE STANDING COOKTOP VERSIONS

4 GAS COOKTOP (OPTIONAL)

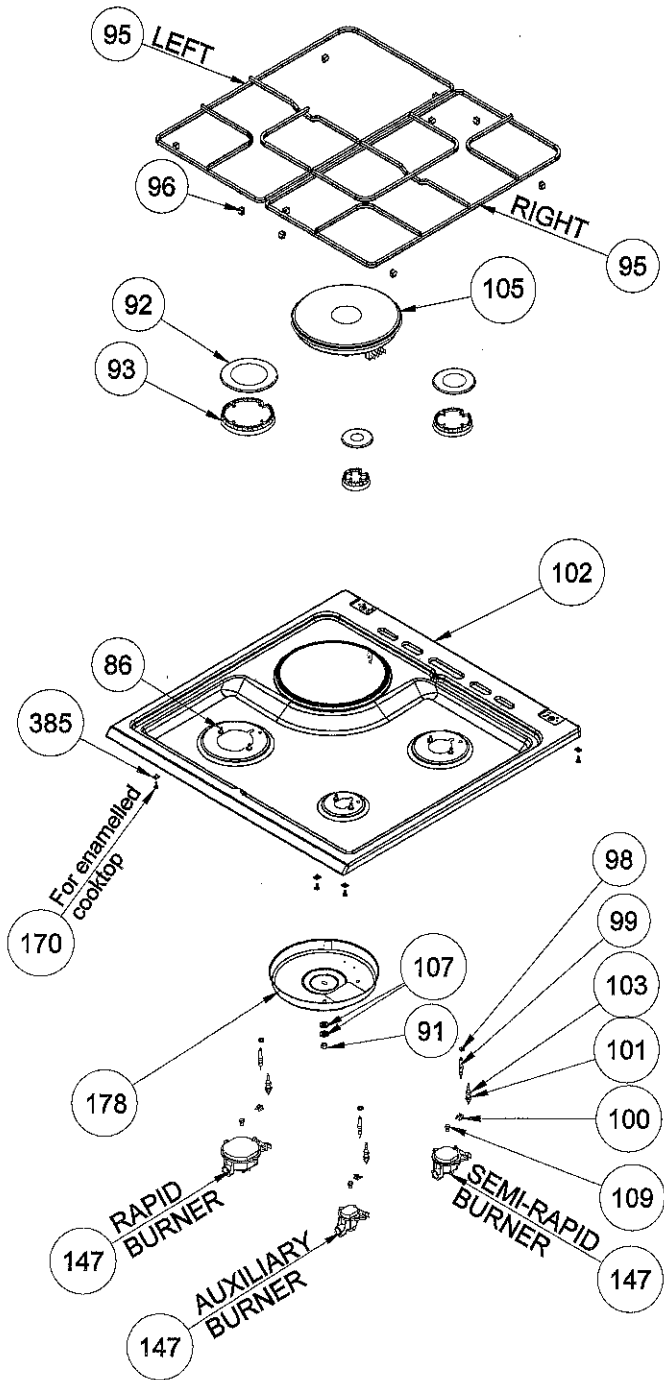
3 GAS 1 WOK COOKTOP (OPTIONAL)



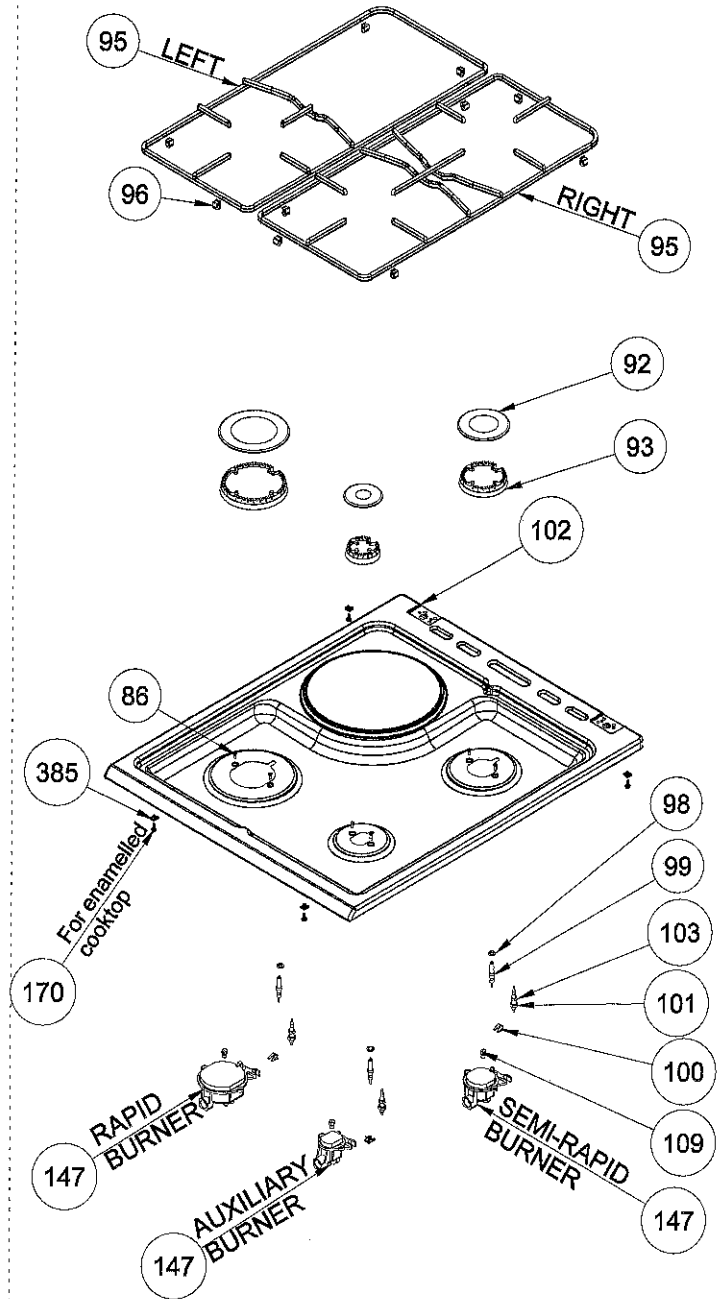
The exploded views given in this document are generic. They include all possible versions of the product. For specific part codes please refer to the bom list of regarding model.

FREE STANDING COOKTOP VERSIONS

3 GAS 1 ELECTRIC COOKTOP (OPTIONAL)



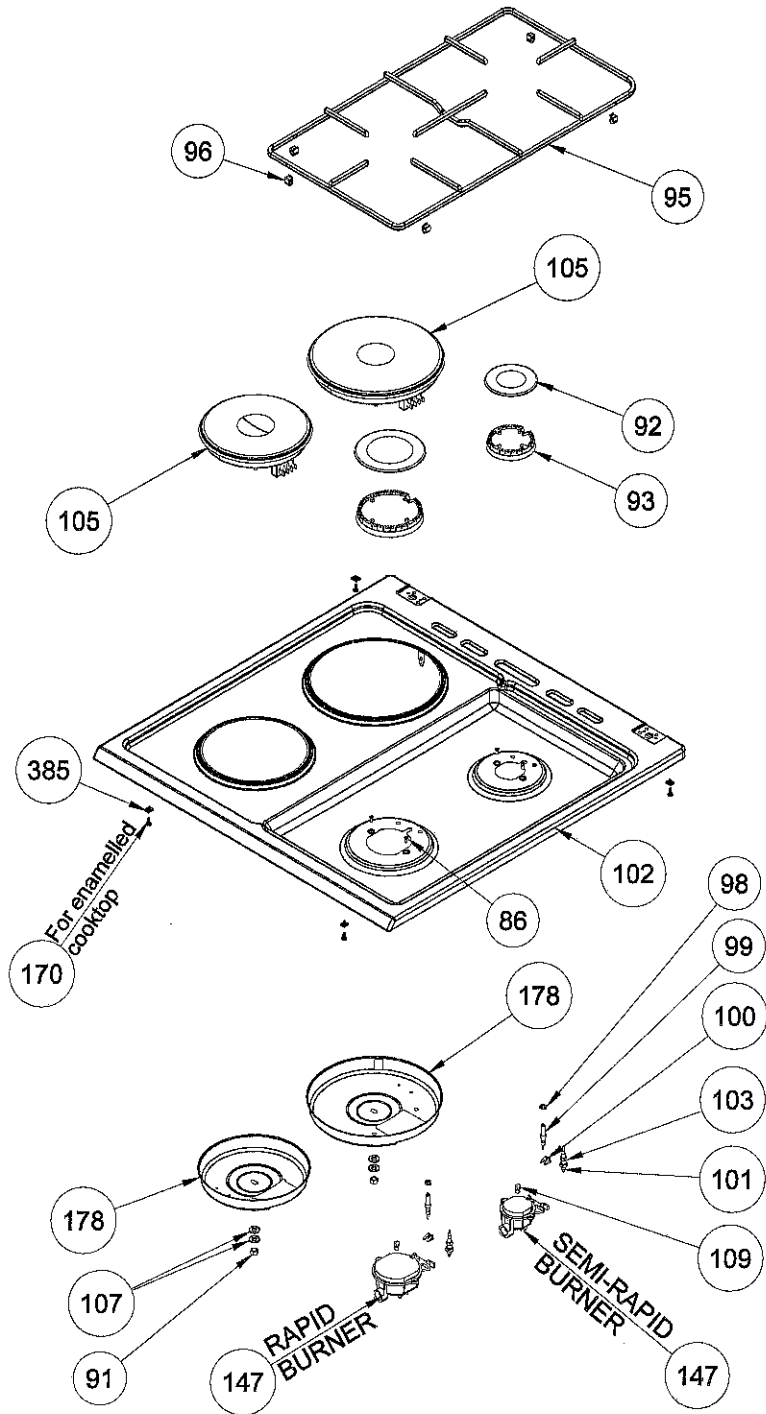
3 GAS COOKTOP (OPTIONAL)



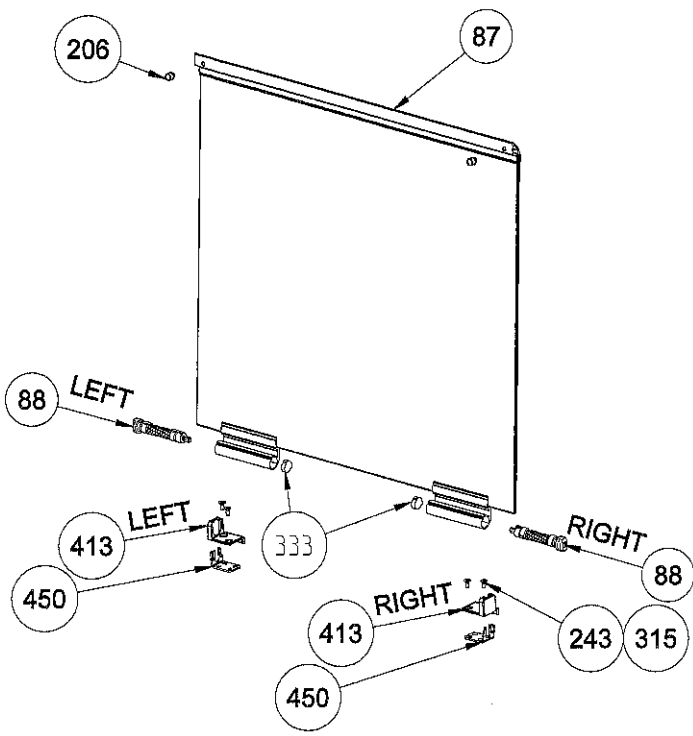
The exploded views given in this document are generic. They include all possible versions of the product. For specific part codes please refer to the bom list of regarding model.

FREE STANDING COOKTOP VERSIONS

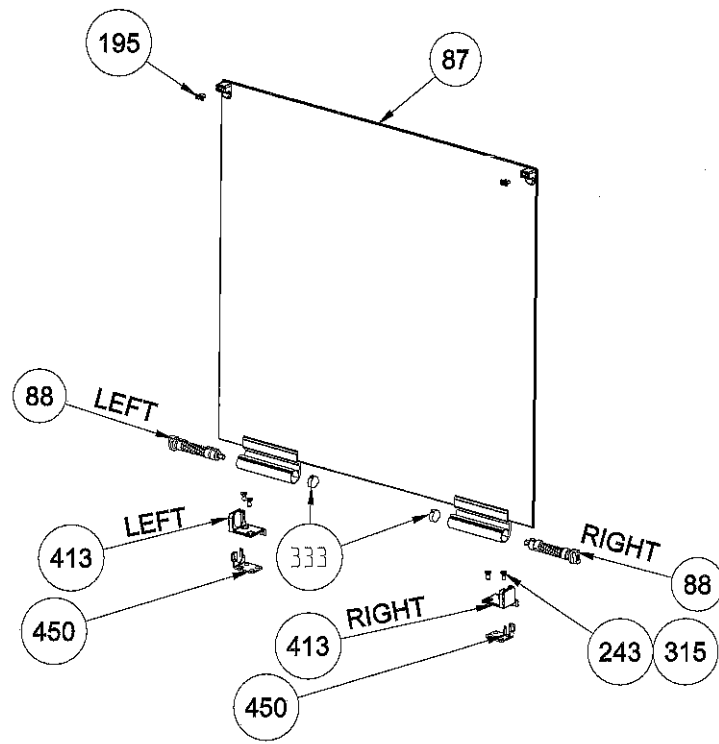
2 GAS 2 ELECTRIC COOKTOP (OPTIONAL)



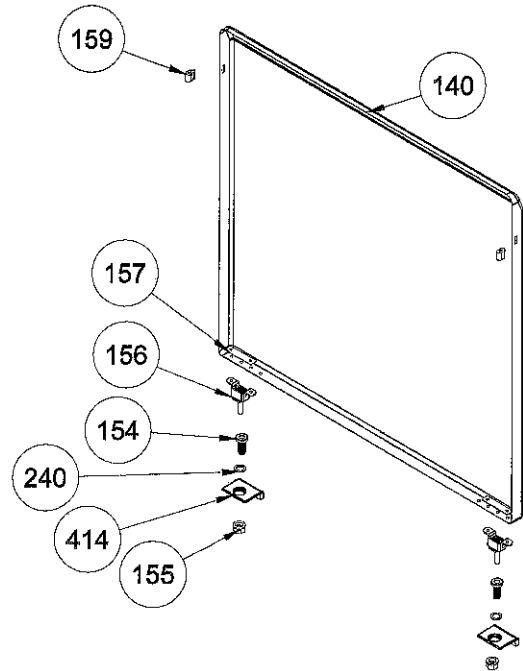
The exploded views given in this document are generic. They include all possible versions of the product. For specific part codes please refer to the bom list of regarding model.



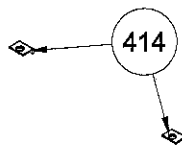
GLASS LID WITH SHORT PROFILE
(OPTIONAL)



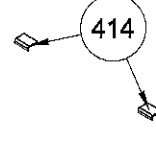
GLASS LID WITH BUMPER
(OPTIONAL)



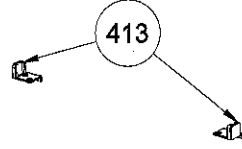
METAL LID (OPTIONAL)
POSITION NUMBER :153



ONLY FOR
METAL LID

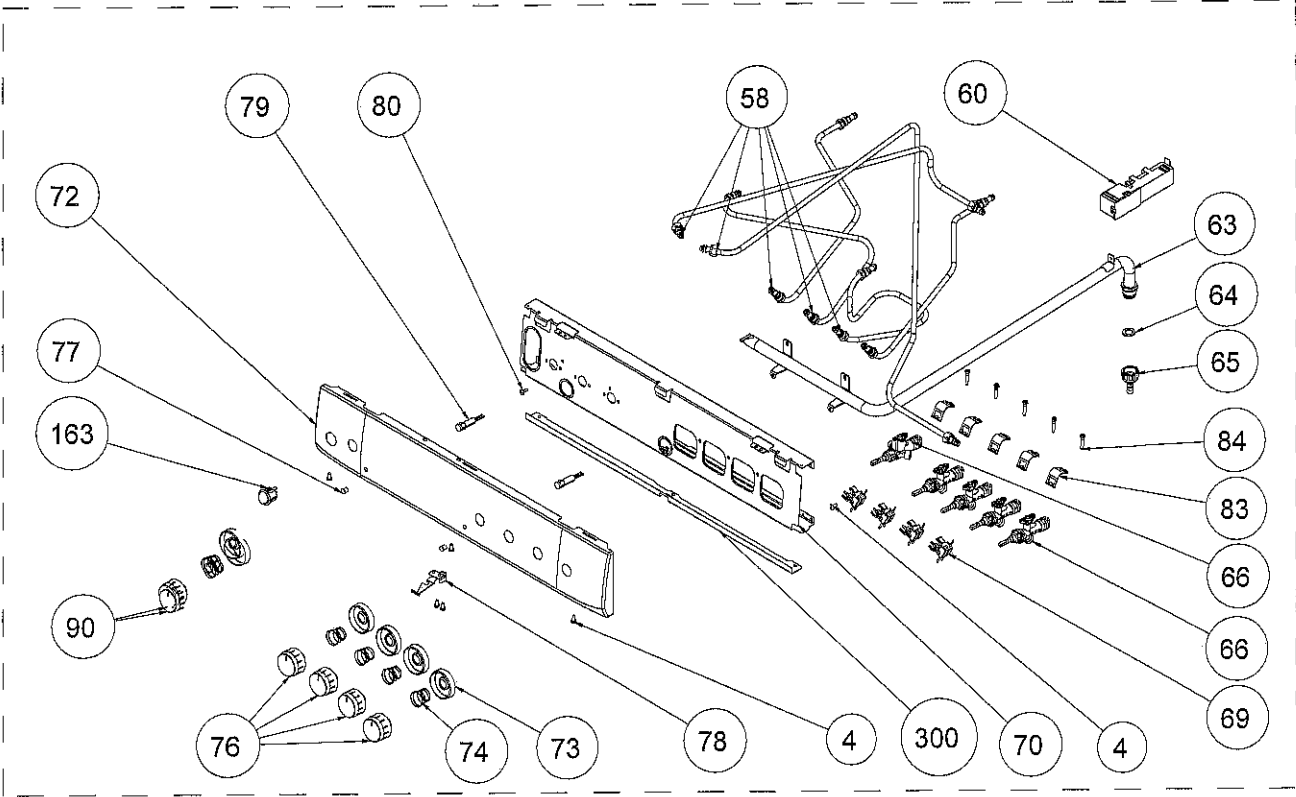


ONLY FOR
NONE LID

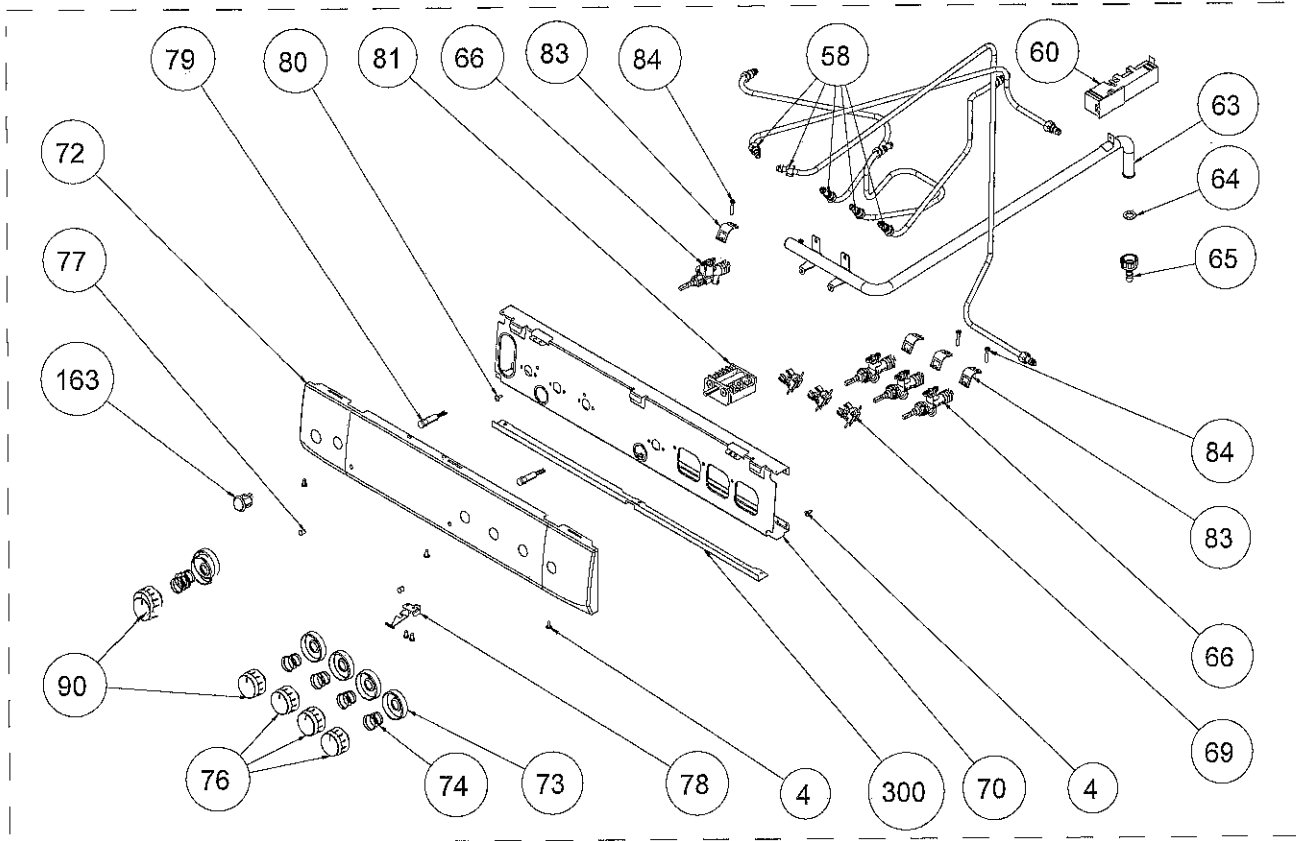


ONLY FOR
GLASS LID

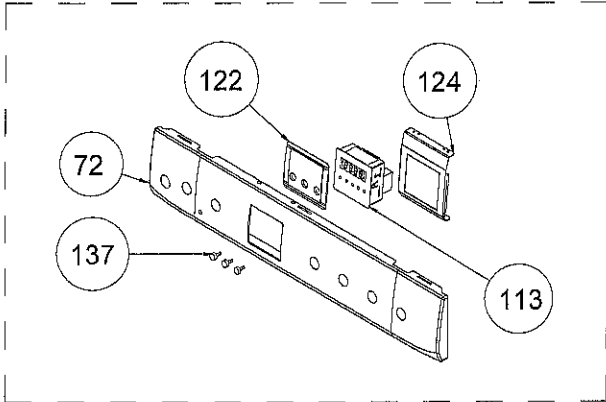
The exploded views given in this document are generic. They include all possible versions of product. For specific part codes, please refer to the bom list of regarding model.



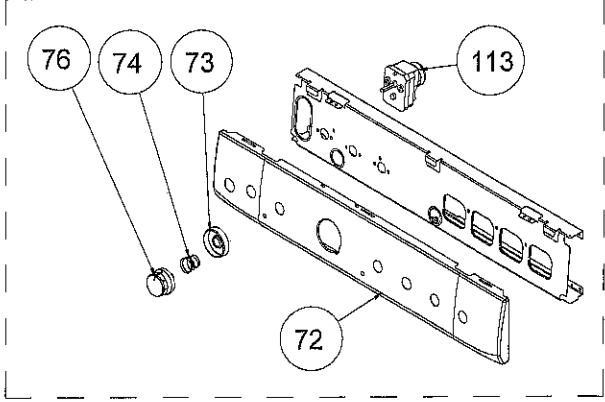
3D- 4GAS - NO TIMER CONTROL PANEL ASSEMBLY



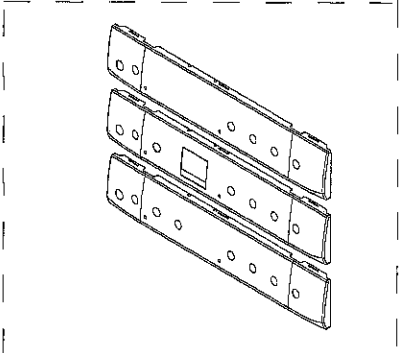
3D- 3GAS+1ELECTRIC - NO TIMER CONTROL PANEL ASSEMBLY



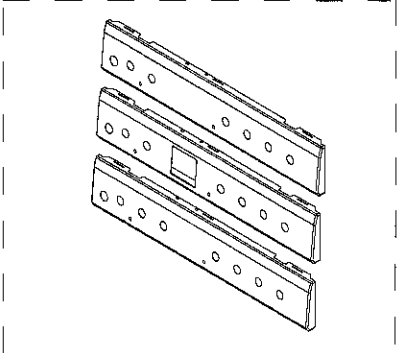
DIGITAL TIMER (OPTIONAL)



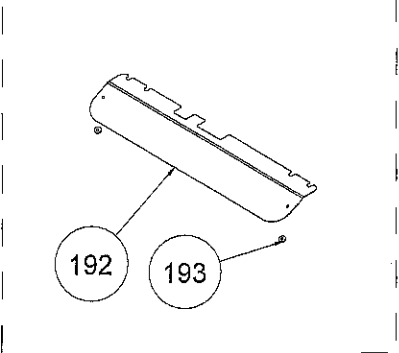
MECHANIC TIMER (OPTIONAL)



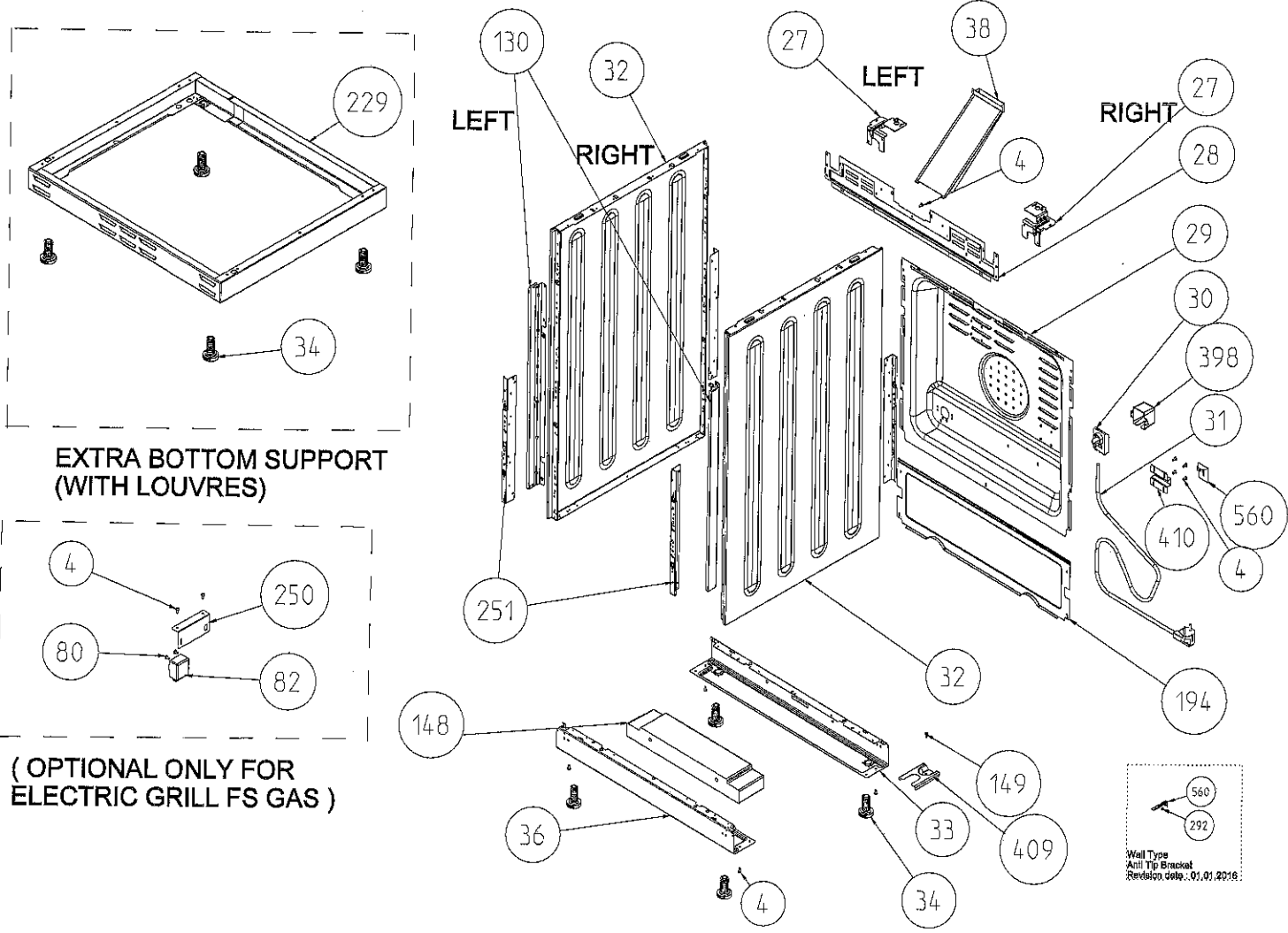
3D METAL CONTROL PANELS (OPTIONAL)



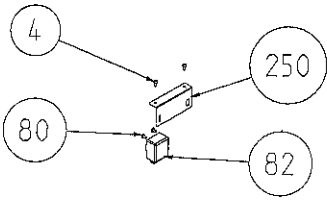
FLAT METAL CONTROL PANELS (OPTIONAL)



GRILL HEAT COVER (OPTIONAL)



**EXTRA BOTTOM SUPPORT
(WITH LOUVRES)**

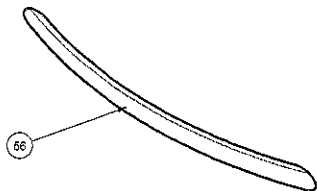


**(OPTIONAL ONLY FOR
ELECTRIC GRILL FS GAS)**

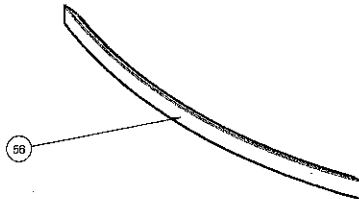
"The exploded views given in this document are generic. They include all possible versions of the product. For specific part codes, please refer to the bom list of regarding model."

OVEN DOOR HANDLES (OPTIONAL)

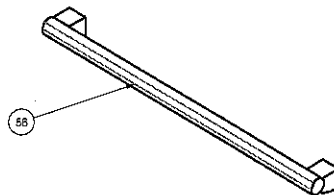
HANDLES WITHOUT TAP & BRACKET



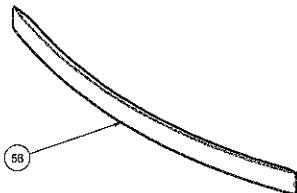
56 ELLIPSE ARC



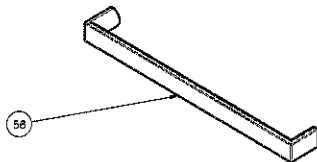
56 D PROFILE ARC



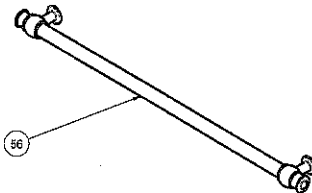
58 METALLUX



56 D PROFILE ARC, ELECTROLUX
(ONLY FOR FS - OPTIONAL)

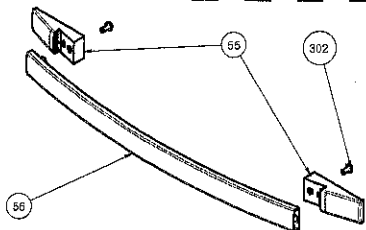


56 FNP
(ONLY FOR BUILT-IN - OPTIONAL)

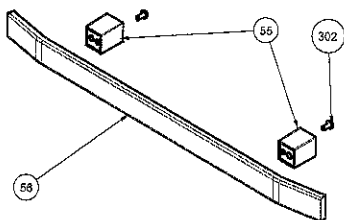


56 RUSTIC

HANDLES WITH BRACKET

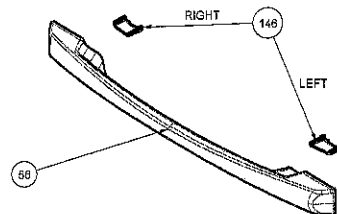


56 ARC QUADRANGLE



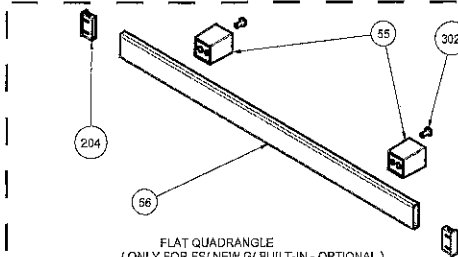
56 3D QUADRANGLE
(ONLY FOR FS/NEW G/ BUILT-IN - OPTIONAL)

HANDLES WITH TUNNEL TAP

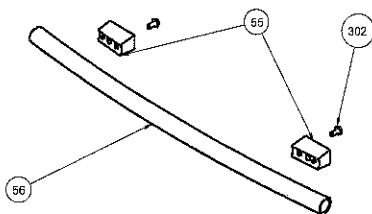


56 NO FAN TYPE
(ONLY FOR BUILT-IN - OPTIONAL)

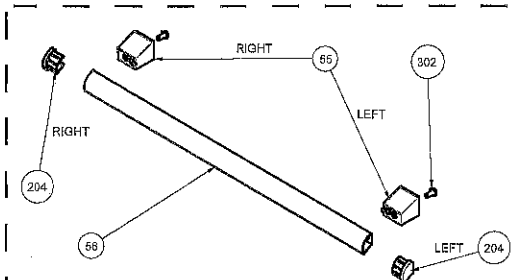
HANDLES WITH TAP & BRACKET



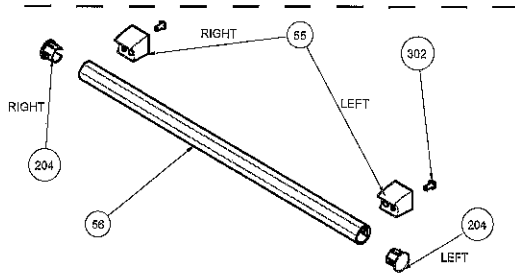
56 FLAT QUADRANGLE
(ONLY FOR FS/NEW G/ BUILT-IN - OPTIONAL)



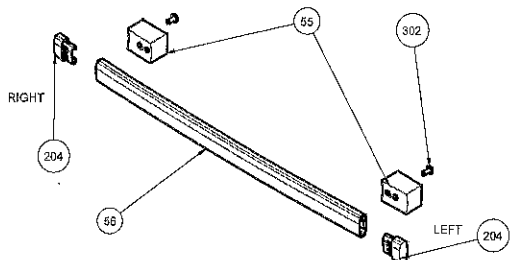
56 ARC TUBE



56 FLAT SLICE

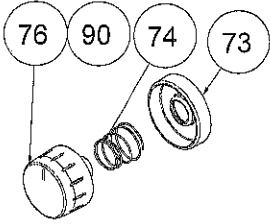


56 TRIJO

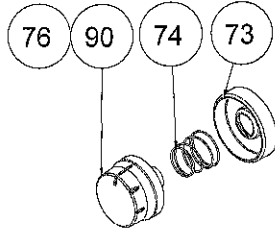


56 CURVED QUADRANGLE

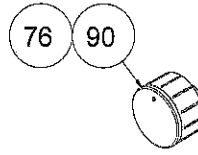
KNOBS (ONLY FOR NEW G - OPTIONAL)



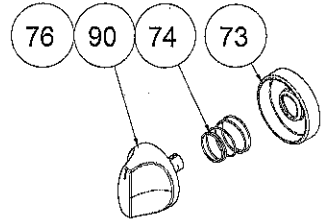
OMEGA



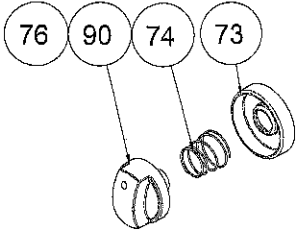
EPSILON



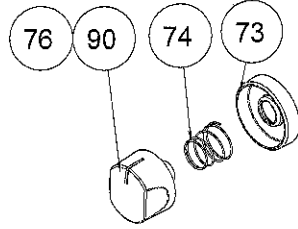
BIG MACRO
(ONLY FOR NEW G ELECTRIC/
NEW G VITROCERAMIC - OPTIONAL)



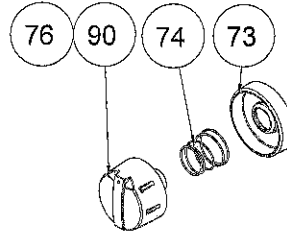
GAMA RING



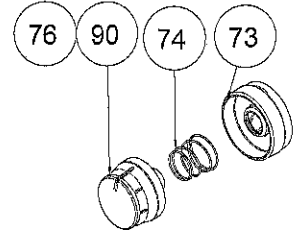
ECLIPSE RING



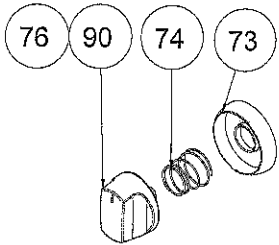
RIMO



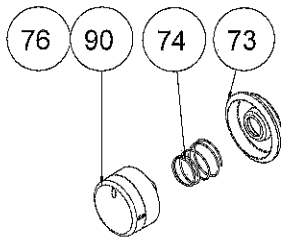
ANTERO



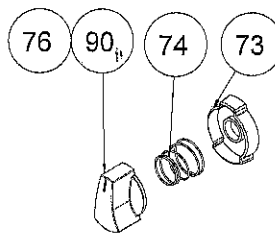
SPECTRUM



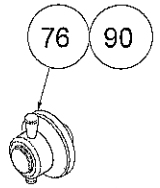
TRIO



SIGMA



DELTA RING



RUSTIC RISUS