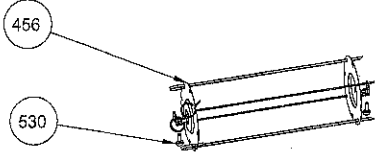
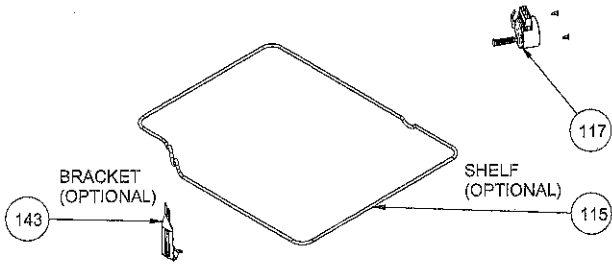




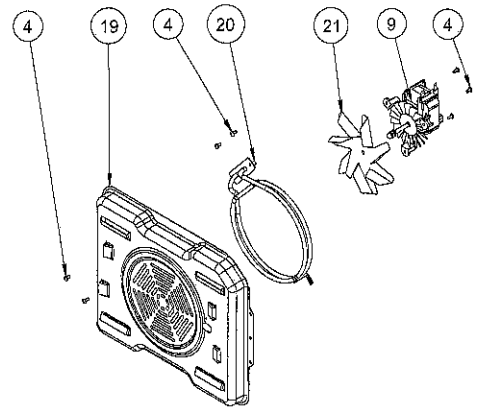
TURNSPIT SKEWER



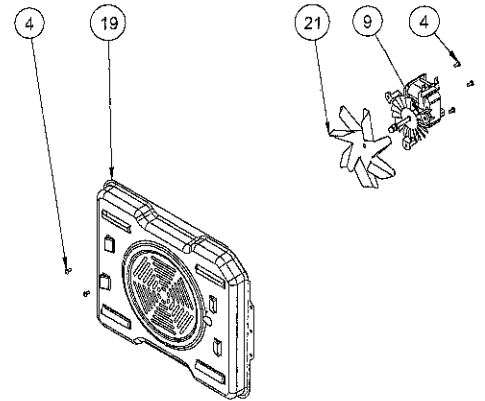
SHISH KEBAB ACCESSORY (OPTIONAL)



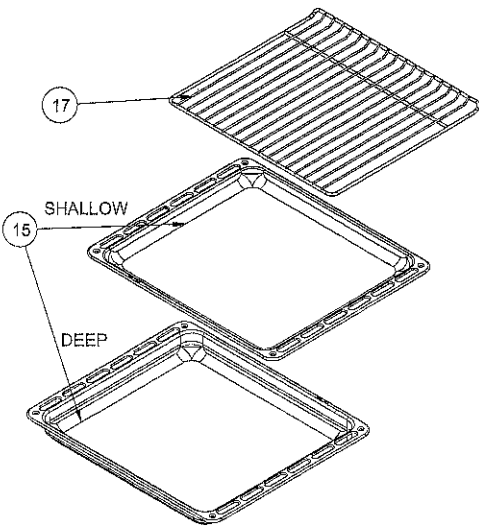
TURNSPIT(OPTIONAL)



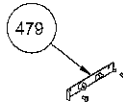
RING HEATING ELEMENT WITH FAN (OPTIONAL)



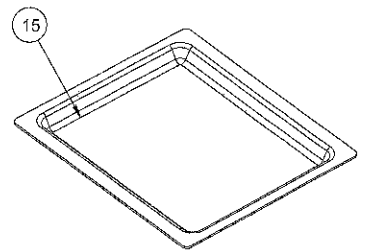
(FAN COVER/ FAN IMPELLER (6 WINGS) / FAN MOTOR) (OPTIONAL)



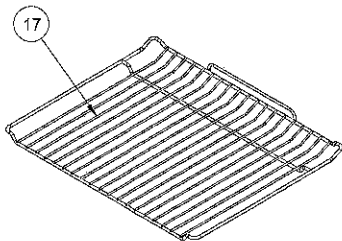
TRAYS & GRID (OPTIONAL)



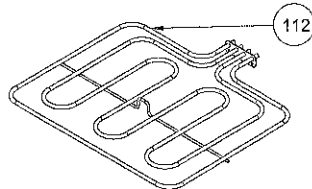
THERMIST BULB HOLDER/BRACKET



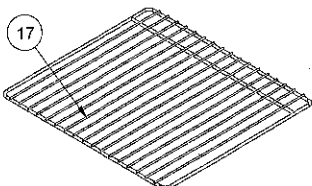
GLASS TRAY (OPTIONAL)



LOCKED

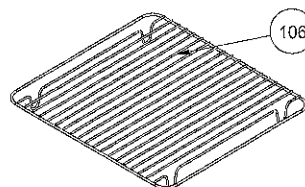


TOP AND GRILL HEATING ELEMENT (OPTIONAL)

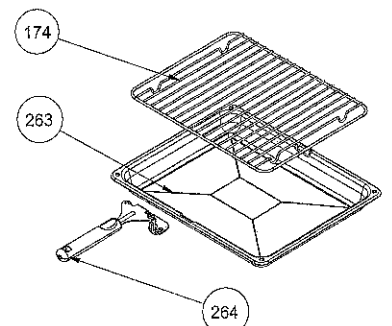


W. TELESCOPIC RAIL

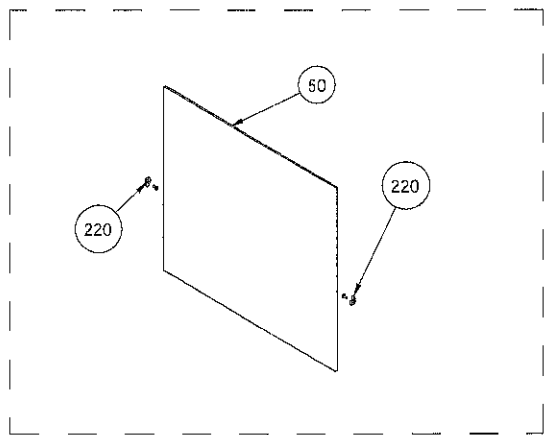
GRID (OPTIONAL)



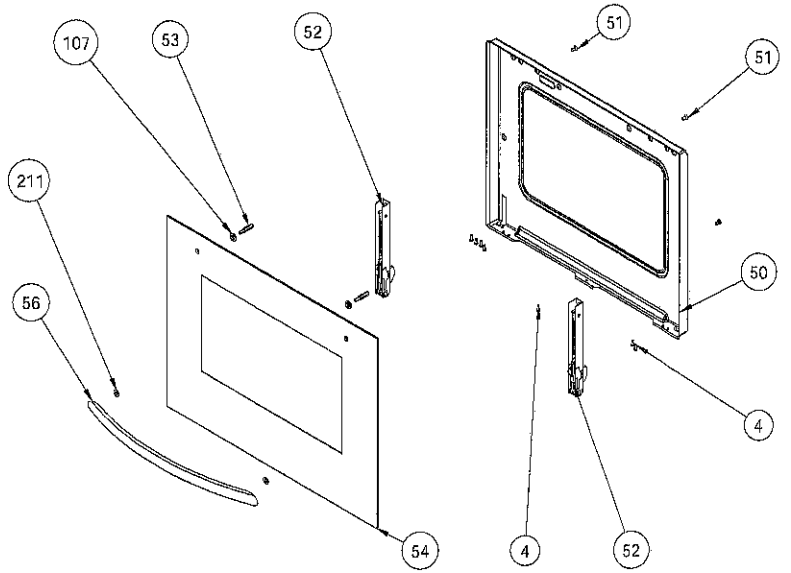
DEEP TRAY GRID (OPTIONAL)



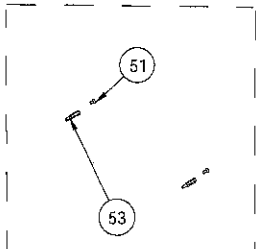
TRAY SET FOR GRID (POSITION NO : 265) (OPTIONAL)



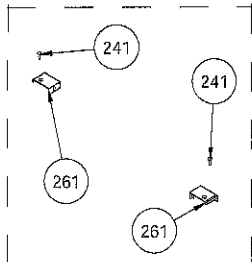
INTERVAL GLASS
(OPTIONAL)



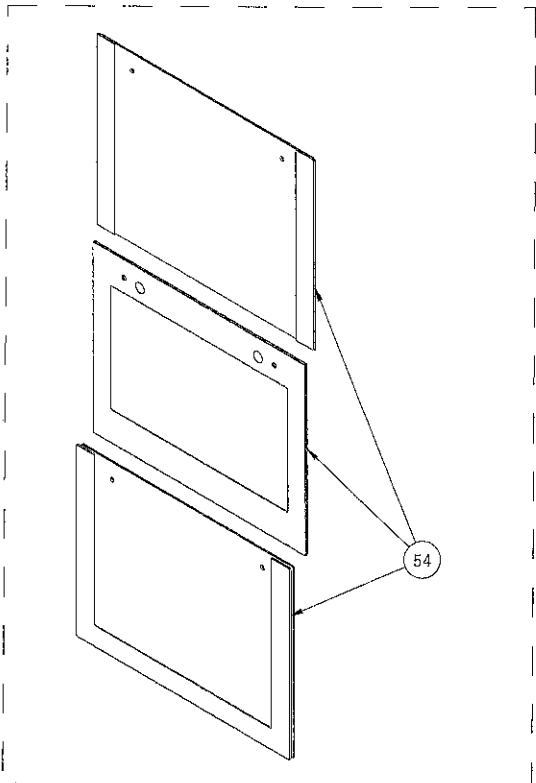
OVEN DOOR ASSEMBLY (OUTER & INNER)
(POSITION NO 378)



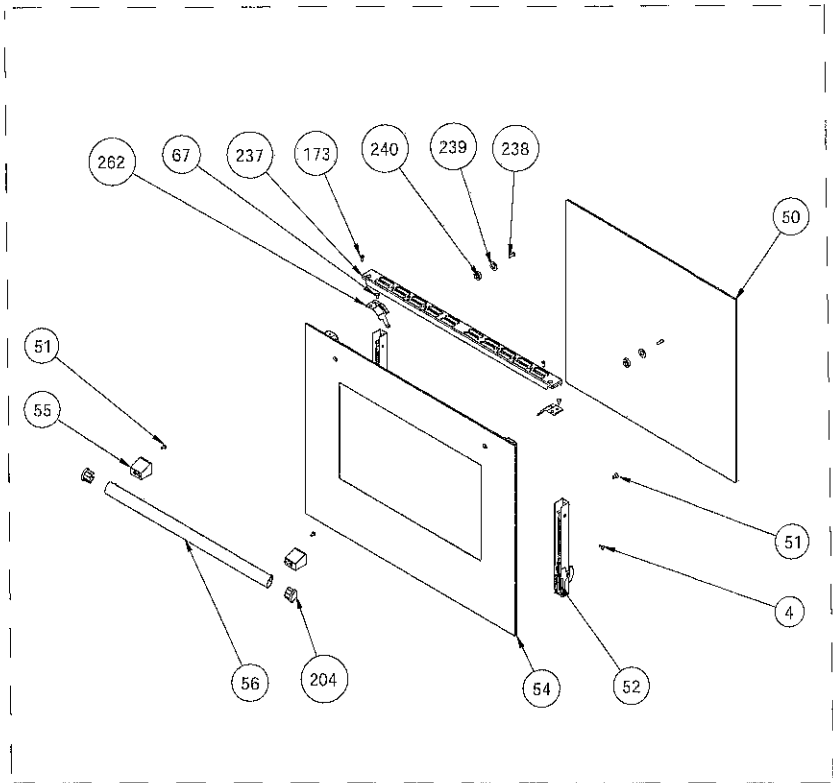
HANDLE ASSEMBLY GROUP
(POSITION NO 49)
(OPTIONAL)



OVEN DOOR TOP PANEL PARTS
(OPTIONAL)

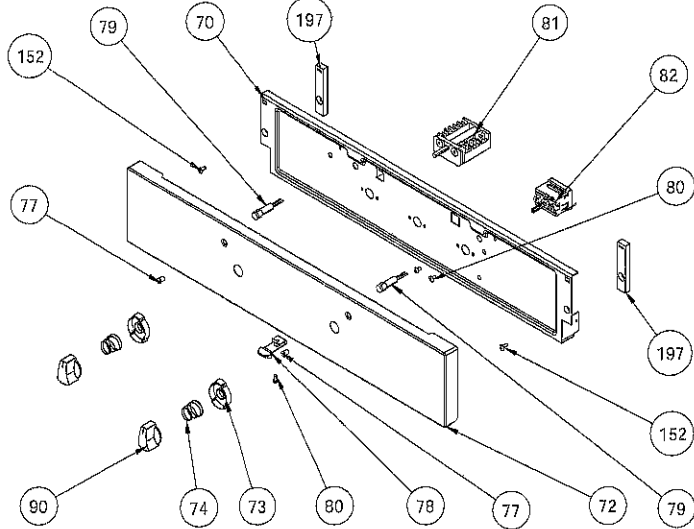


OVEN DOOR OUTER GLASS ASSEMBLY WITH
INOX ADD-ON TYPES (OPTIONAL)

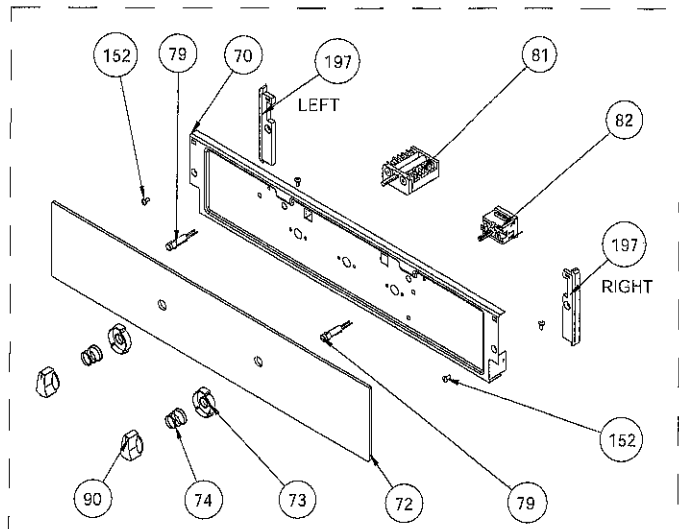


FLAT OVEN DOOR WITH FULL GLASS STRUCTURE (POSITION NO 377)
(OPTIONAL)

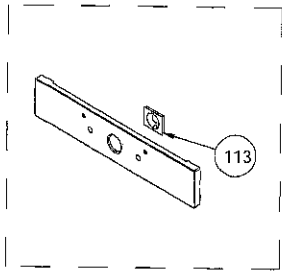
*Metal frames on outer glass, handle types, handle taps and brackets are optional. Your cooker may be different cosmetically.



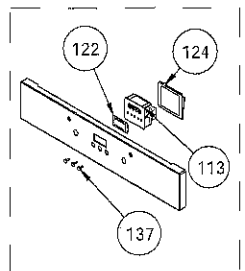
METAL CONTROL PANEL ASSEMBLY



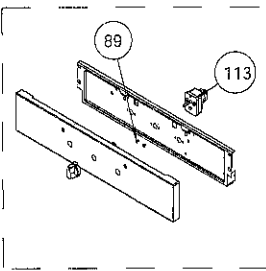
GLASS CONTROL PANEL ASSEMBLY (OPTIONAL)



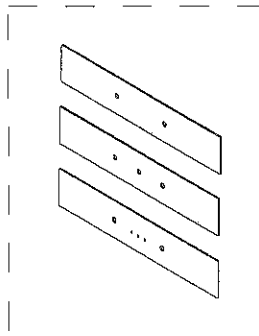
ANALOG TIMER (OPTIONAL)



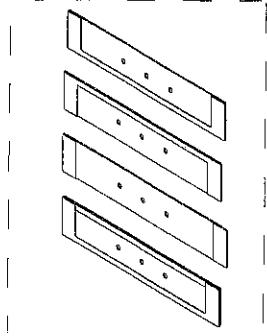
DIGITAL TIMER (OPTIONAL)



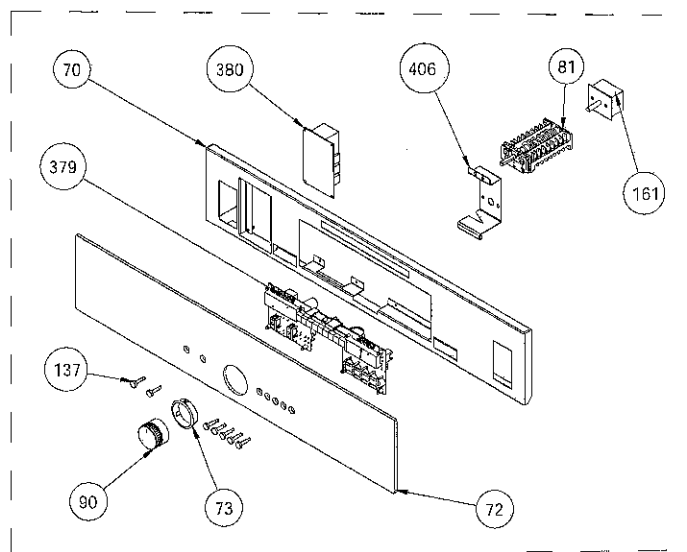
MECHANIC TIMER (OPTIONAL)



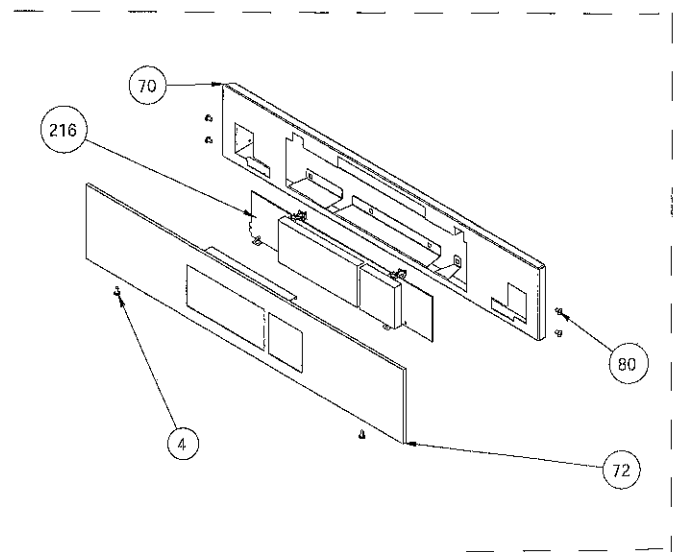
GLASS CONTROL PANELS (OPTIONAL)



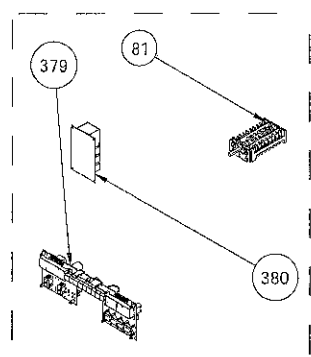
GLASS CONTROL PANELS WITH INOX ADD-ONS (OPTIONAL)



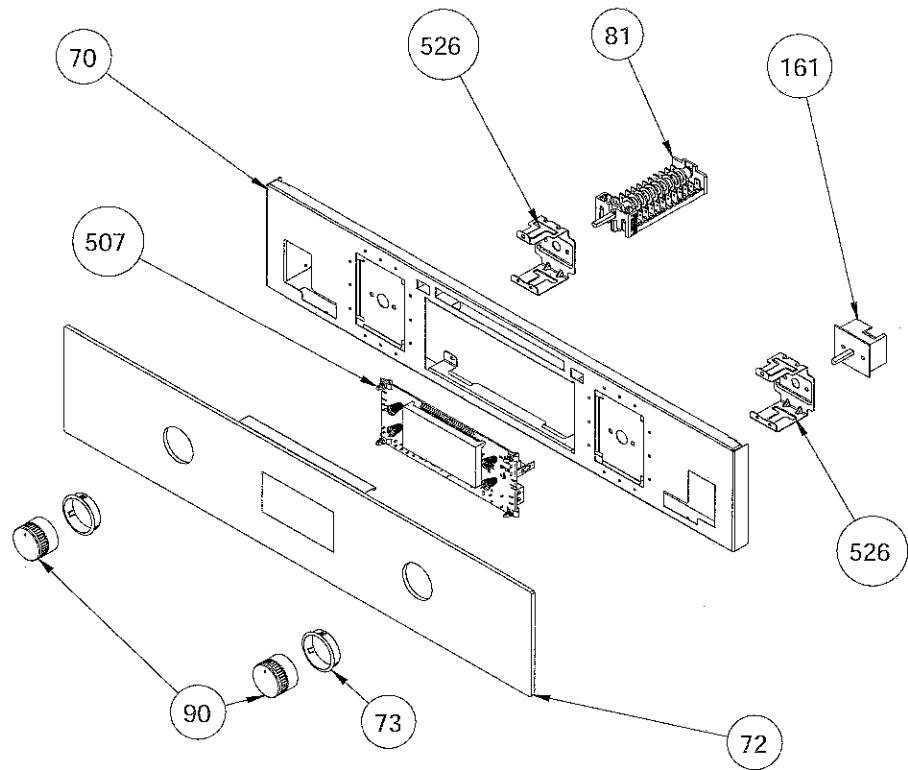
ELECTRONIC TIMERED GLASS CONTROL PANEL ASSEMBLY (OPTIONAL)



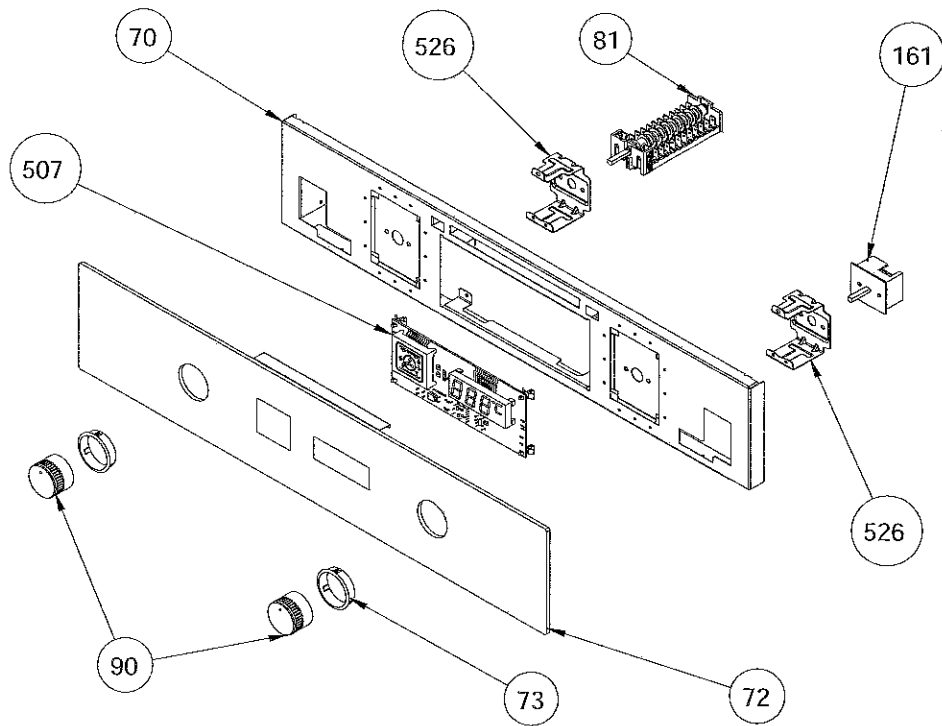
TOUCH CONTROLLED GLASS CONTROL PANEL ASSEMBLY (OPTIONAL)



OVEN ELECTRONIC CONTROL GROUP (POSITION NO 381)

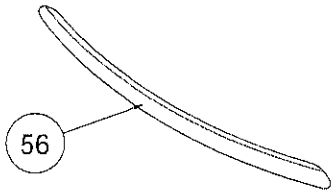


VISIO TOUCH TIMERED GLASS CONTROL PANEL ASSEMBLY
(OPTIONAL)



VISIO DISPLAY TIMERED GLASS CONTROL PANEL ASSEMBLY
(OPTIONAL)

OVEN DOOR HANDLES (OPTIONAL)
HANDLES WITHOUT TAP & BRACKET



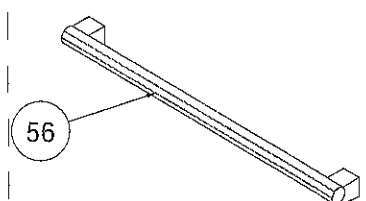
56

ELLIPSE ARC



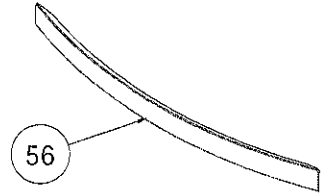
56

D PROFILE ARC



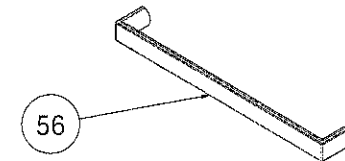
56

METALUX



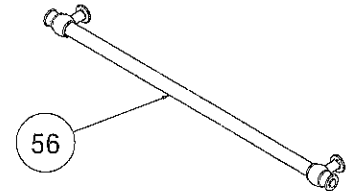
56

D PROFILE ARC, ELECTROLUX
(ONLY FOR FS - OPTIONAL)



56

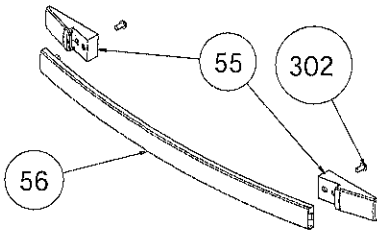
FNP (ONLY FOR BUILT-IN -
OPTIONAL)



56

RUSTIC

HANDLES WITH BRACKET

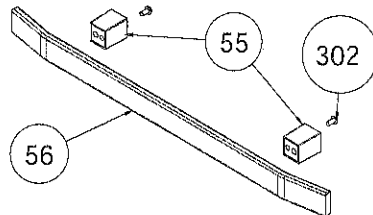


56

55

302

ARC QUADRANGLE



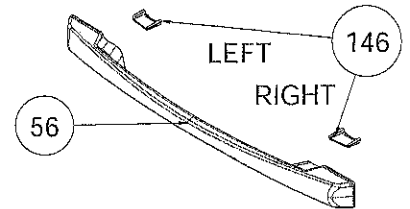
56

55

302

3D QUADRANGLE (ONLY FOR
FS/ NEW G/ BUILT-IN - OPTIONAL)

HANDLES WITH TUNNEL TAP



56

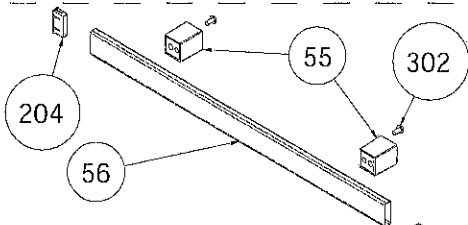
LEFT

RIGHT

146

NO FAN TYPE (ONLY FOR
BUILT-IN - OPTIONAL)

HANDLES WITH TAP & BRACKET



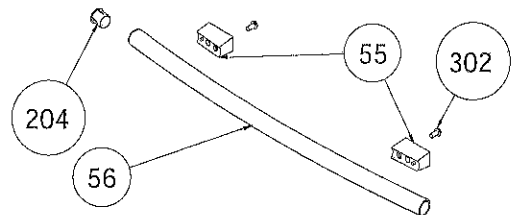
204

56

55

302

FLAT QUADRANGLE
(ONLY FOR FS/ NEW G/ BUILT-IN - OPTIONAL)



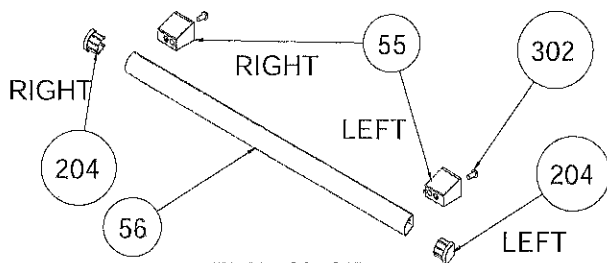
204

56

55

302

ARC TUBE



RIGHT

204

56

RIGHT

55

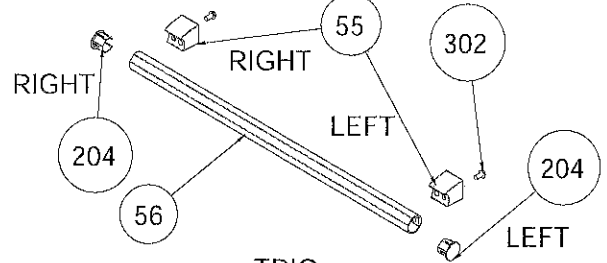
302

LEFT

204

LEFT

FLAT SLICE



RIGHT

204

56

RIGHT

55

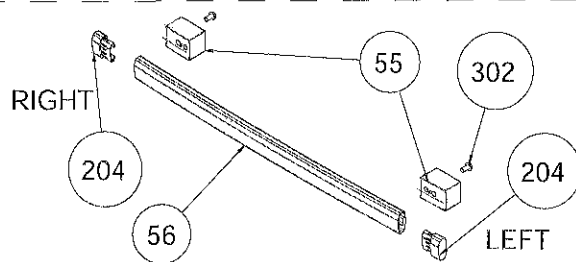
302

LEFT

204

LEFT

TRIO



RIGHT

204

56

55

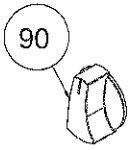
302

204

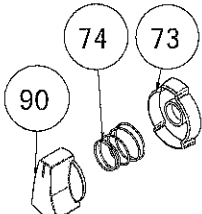
LEFT

CURVED QUADRANGLE

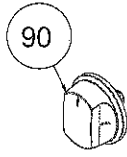
KNOBBS (ONLY FOR BUILT-IN - OPTIONAL)



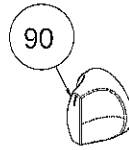
DELTA



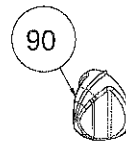
DELTA RING



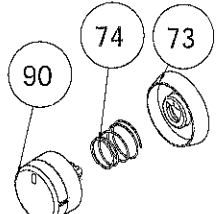
ALFA



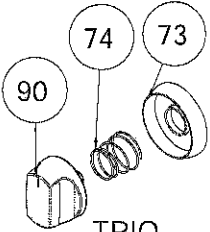
GAMA



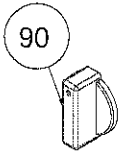
ZETA



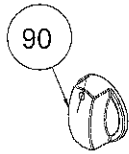
SIGMA(SMALL)



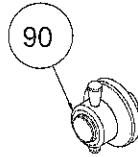
TRIO



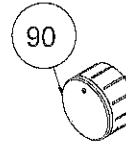
CANDY



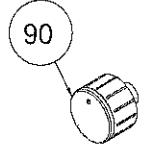
ECLIPSE



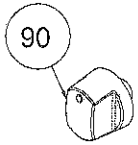
RUSTIC RISUS



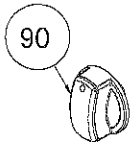
BIG MACRO



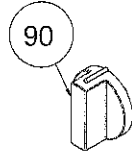
SMALL MACRO



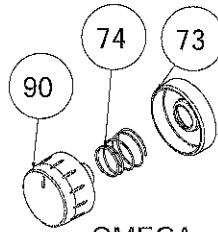
VESTA



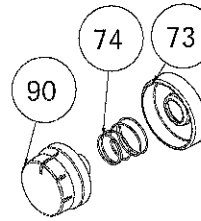
JANNU



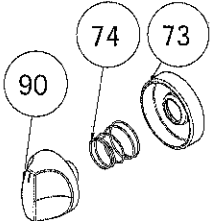
NORD



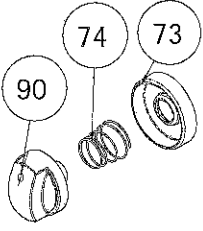
OMEGA



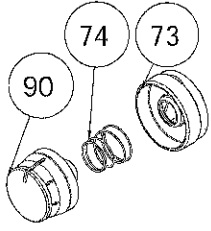
EPSILON



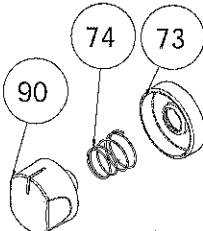
GAMA RING



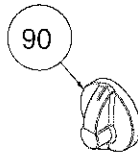
ECLIPSE RING



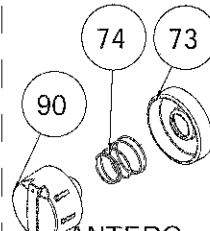
SPECTRUM



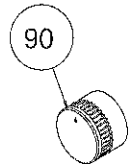
RIMO



VARIO



ANTERO



POP-IN