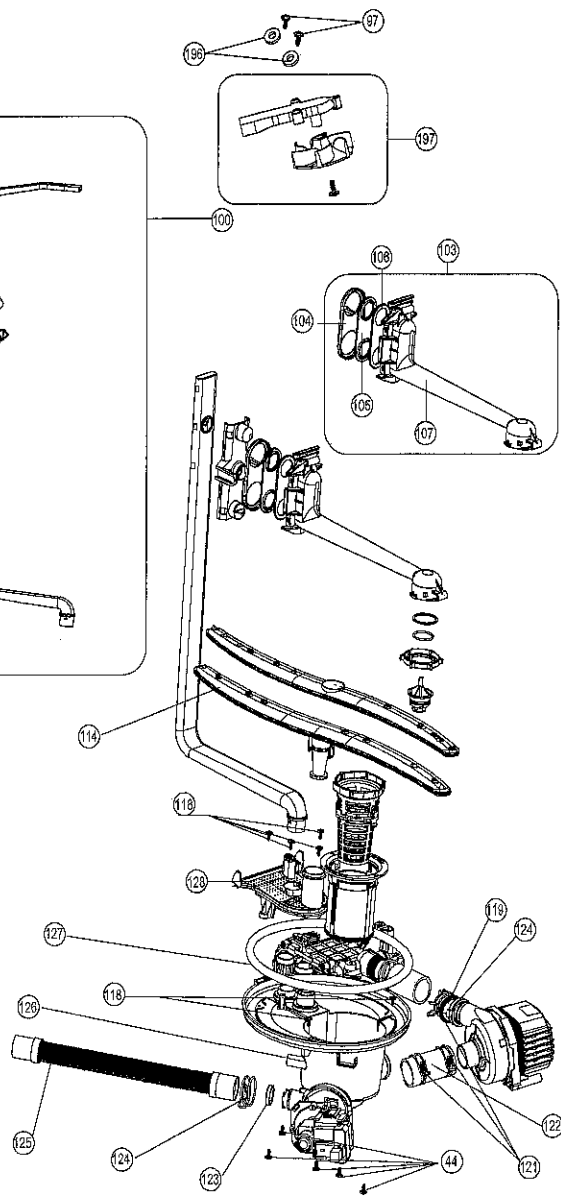
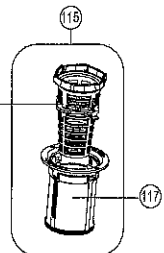
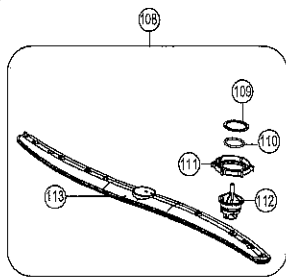
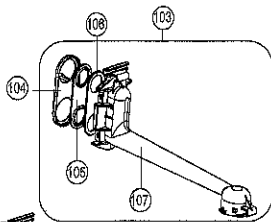
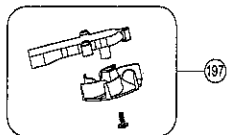
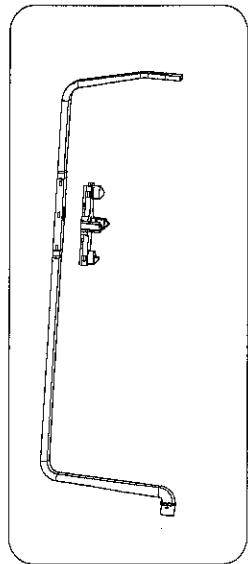
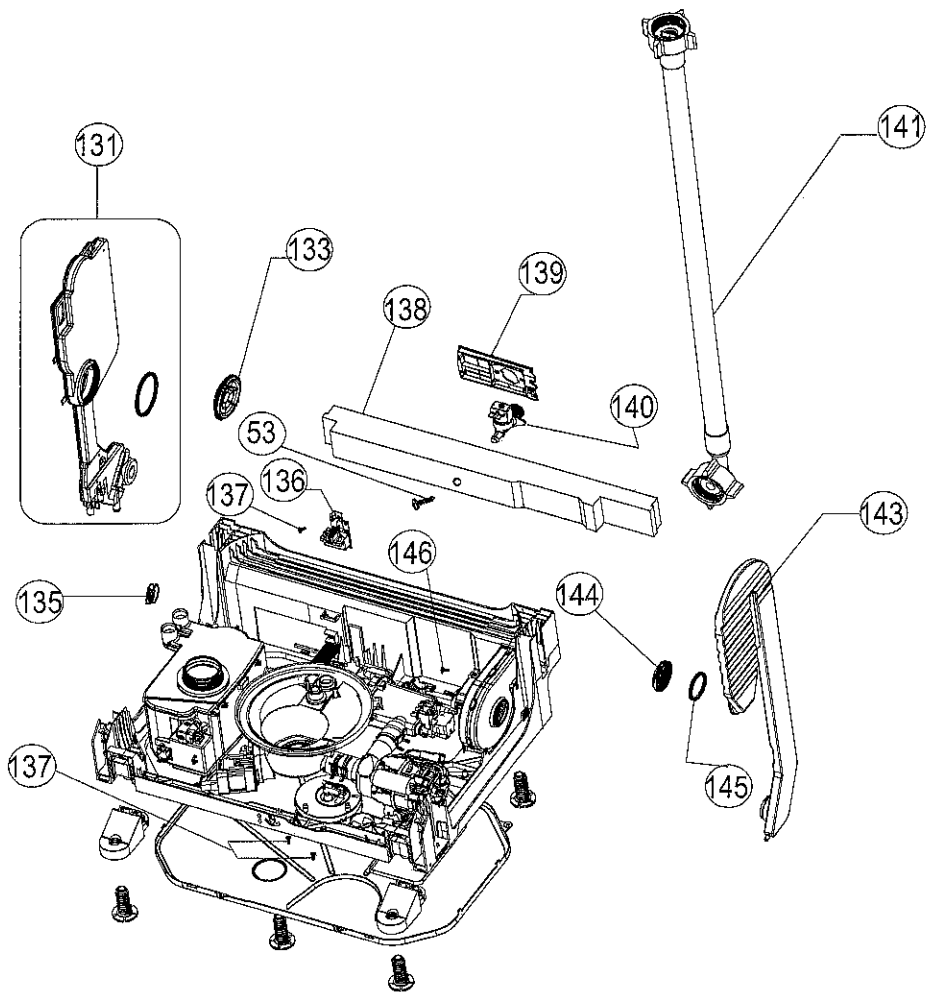
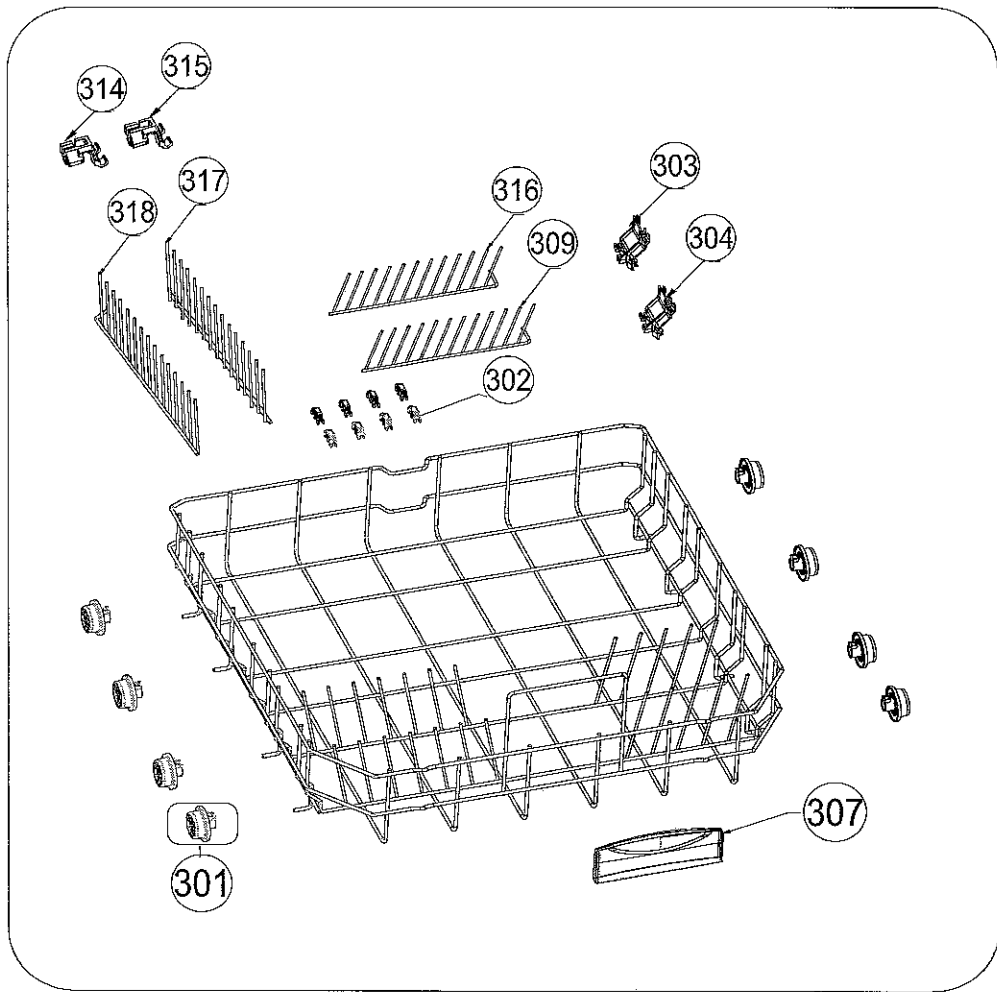


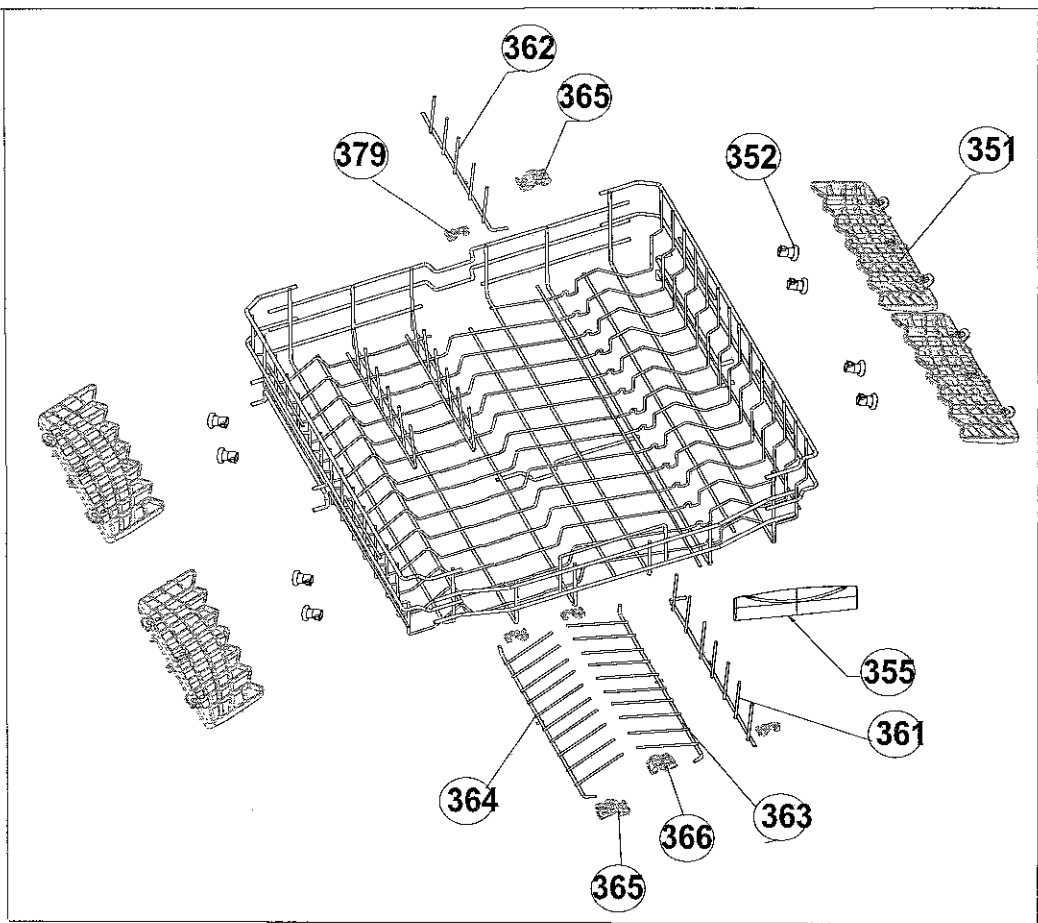
**NOTE-1:** The spare part with poz no 14 is not valid from 06.2011  
**NOTE-2:** The spare part with poz no 16 and 17 is not valid from 29.05.2012  
**NOTE-3:** The spare part with poz no 15 is not valid from 09.07.2012



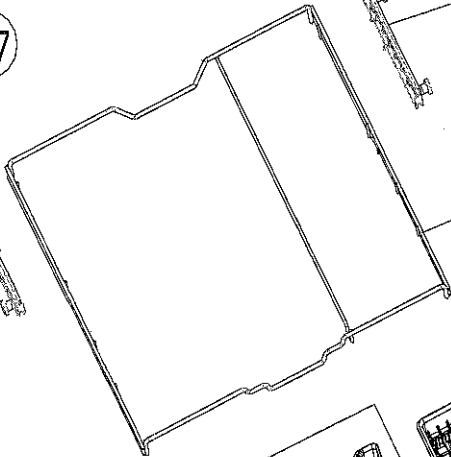




300



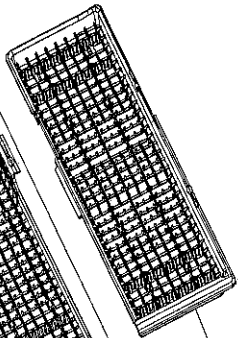
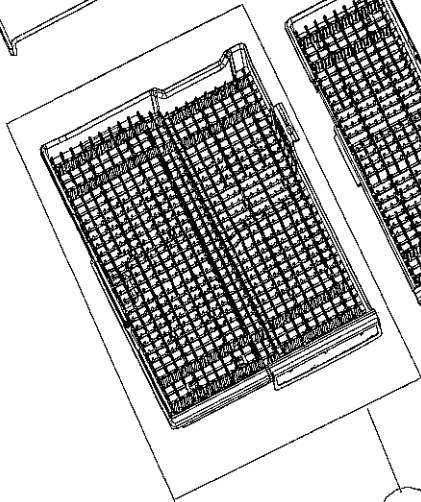
387



386



375

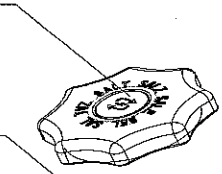


385

384



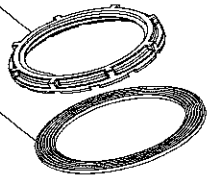
156



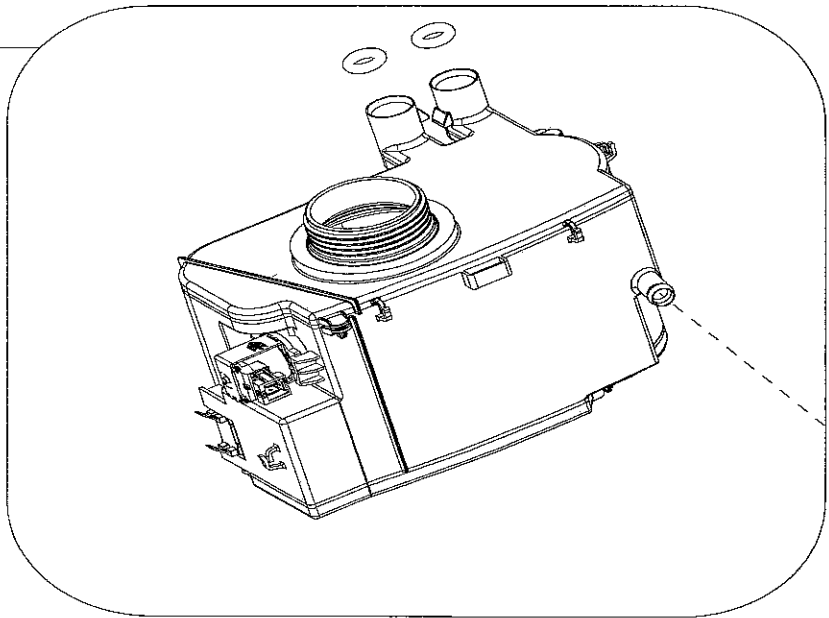
155



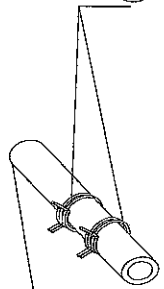
154



148

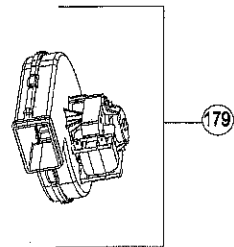
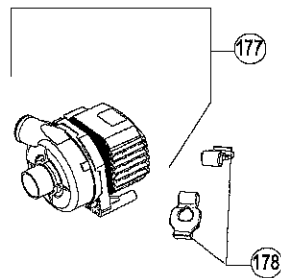
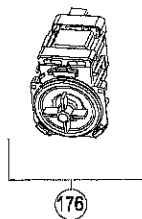
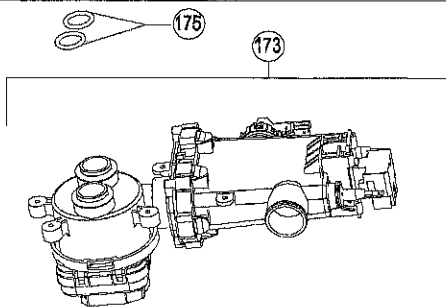
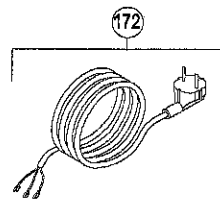
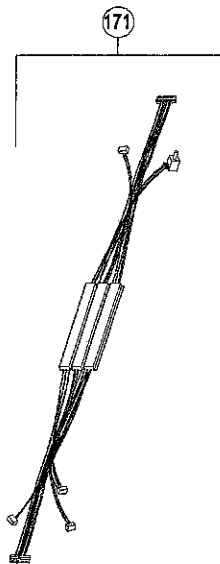
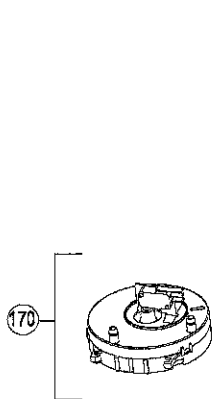


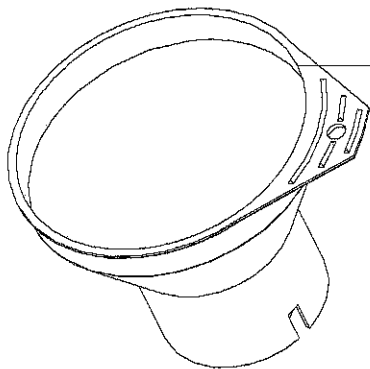
152



153







**511**