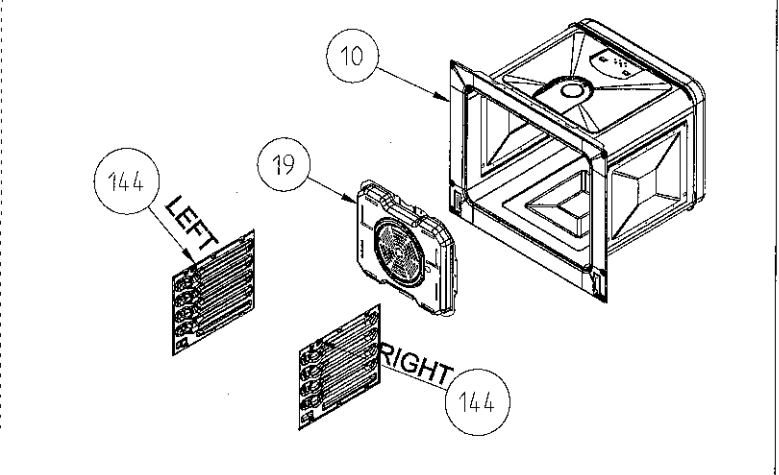
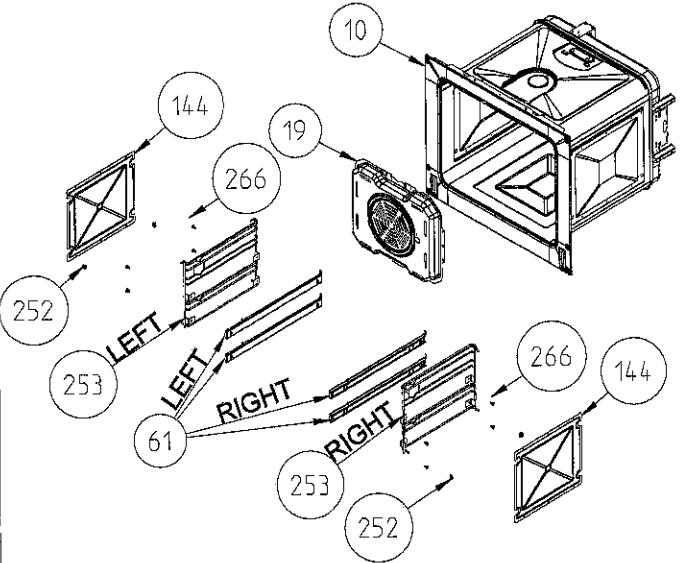


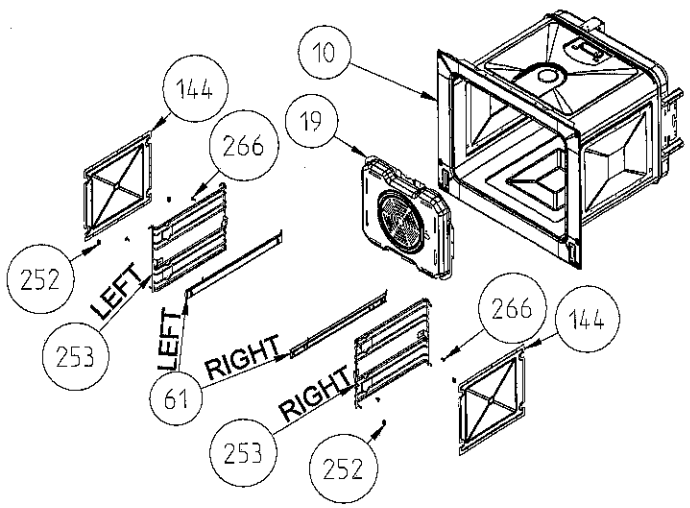
WIRE SHELF CAVITY ASSEMBLY WITH / WITHOUT CATALYTIC PANEL (OPTIONAL)



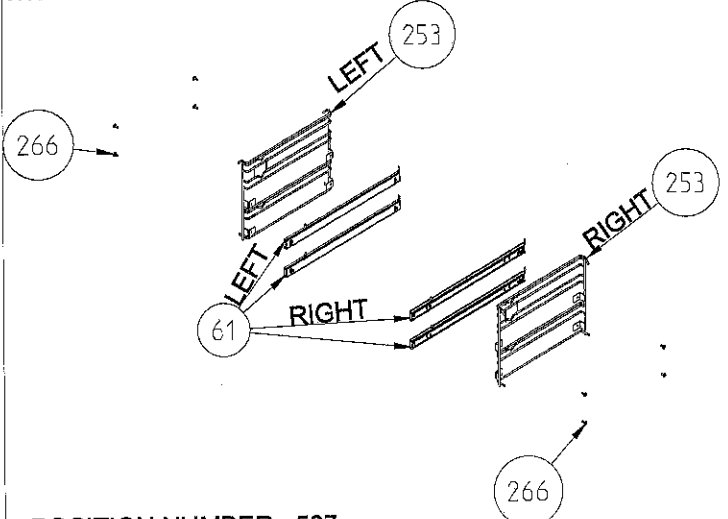
CAVITY ASSEMBLY WITH CATALYTIC SHELF (OPTIONAL)



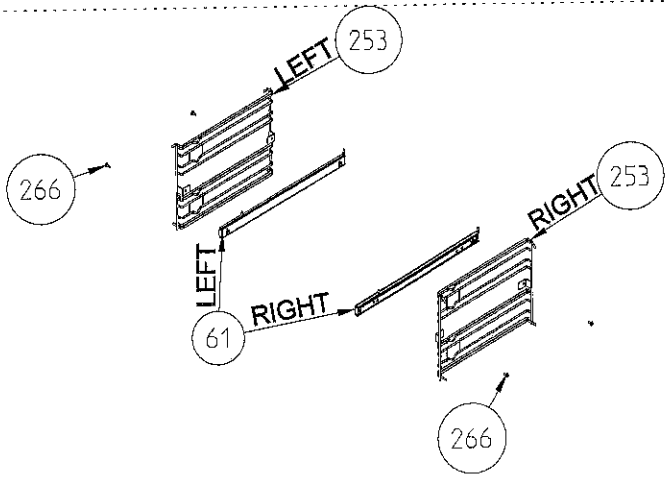
WIRE SHELF CAVITY ASSEMBLY  
WITH/ WITHOUT CATALYTIC PANEL  
OPTIONAL:DOUBLE TELESCOPIC RAIL (R / L)



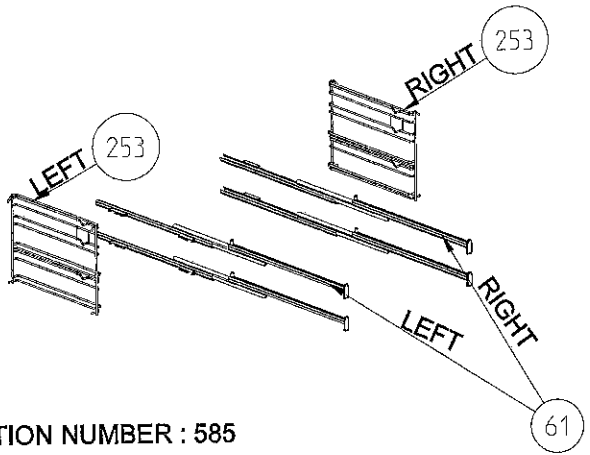
WIRE SHELF CAVITY ASSEMBLY  
WITH/ WITHOUT CATALYTIC PANEL  
OPTIONAL:TELESCOPIC RAIL (R / L)



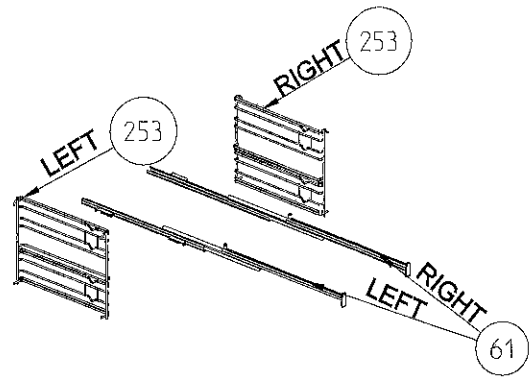
POSITION NUMBER : 587  
WIRE SHELF  
OPTIONAL:DOUBLE TELESCOPIC RAIL (R / L) GROUP



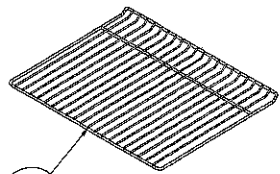
POSITION NUMBER :588  
WIRE SHELF  
OPTIONAL: SINGLE TELESCOPIC RAIL (R / L) GROUP



POSITION NUMBER : 585  
WIRE SHELF  
OPTIONAL:DOUBLE TELESCOPIC RAIL (R / L) GROUP

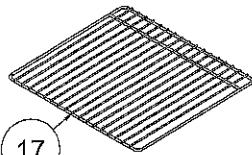


POSITION NUMBER: 586  
WIRE SHELF  
OPTIONAL: SINGLE TELESCOPIC RAIL (R / L) GROUP



17

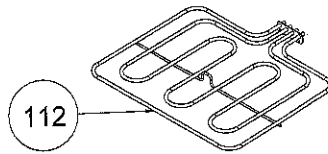
LOCKED



17

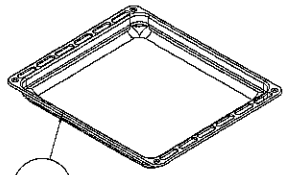
W. TELESCOPIC RAIL

GRID ( OPTIONAL )



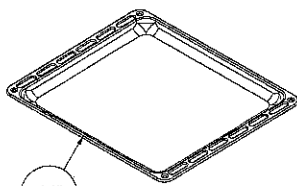
112

TOP AND GRILL HEATING ELEMENT ( OPTIONAL )



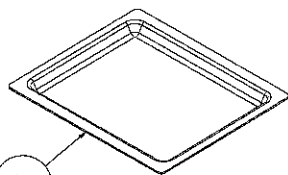
15

DEEP



15

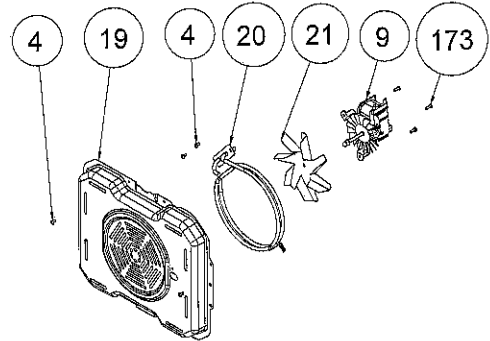
SHALLOW



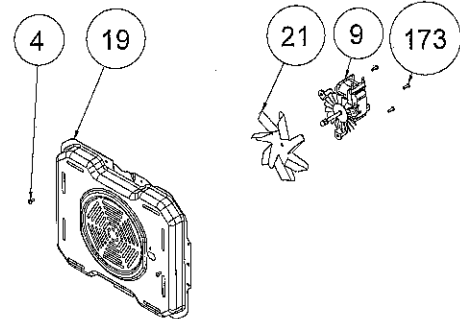
15

GLASS

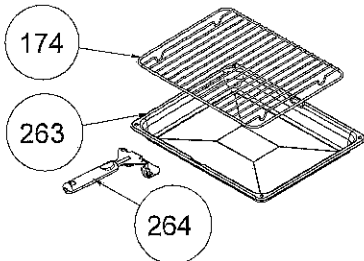
TRAYS ( OPTIONAL )



RING HEATING ELEMENT WITH FAN ( OPTIONAL )



(FAN COVER/ FAN IMPELLER( 6 WINGS ) / FAN MOTOR) ( OPTIONAL )



174

263

264

GRILL PAN AND HANDLE SET (TRAY SET FOR GRILL) - POSITION NO 265 (OPTIONAL)

479

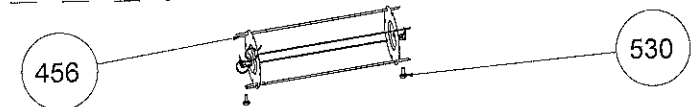


THERMIST BULB HOLDER/BRACKET



116

TURNSPIT SKEWER

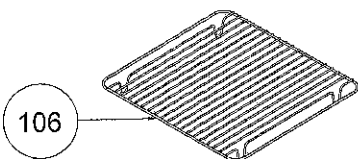


456

530

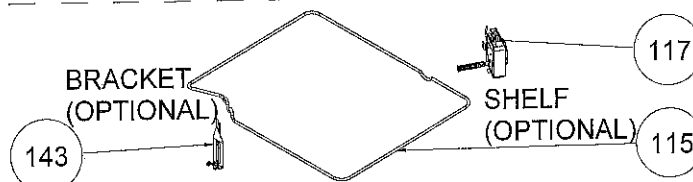
SHISH KEBAB ACCESSORY (OPTIONAL)

18



106

DEEP TRAY GRID ( OPTIONAL )



143

BRACKET (OPTIONAL)

117

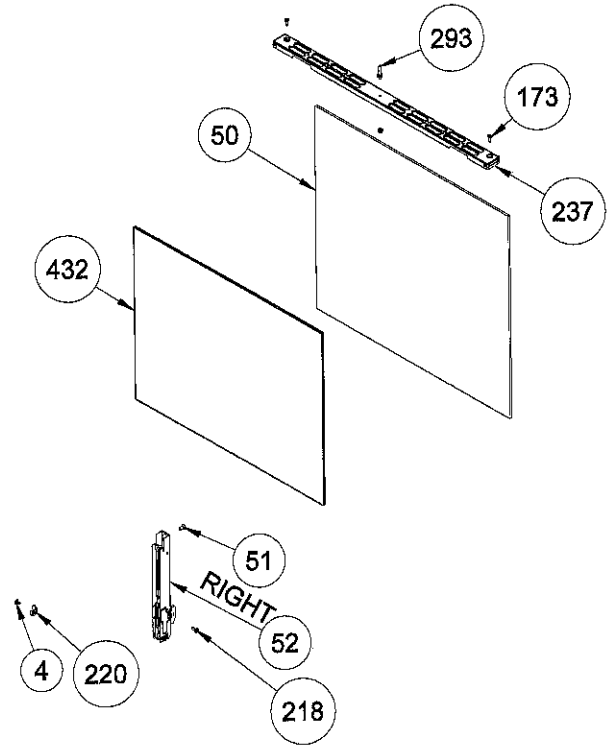
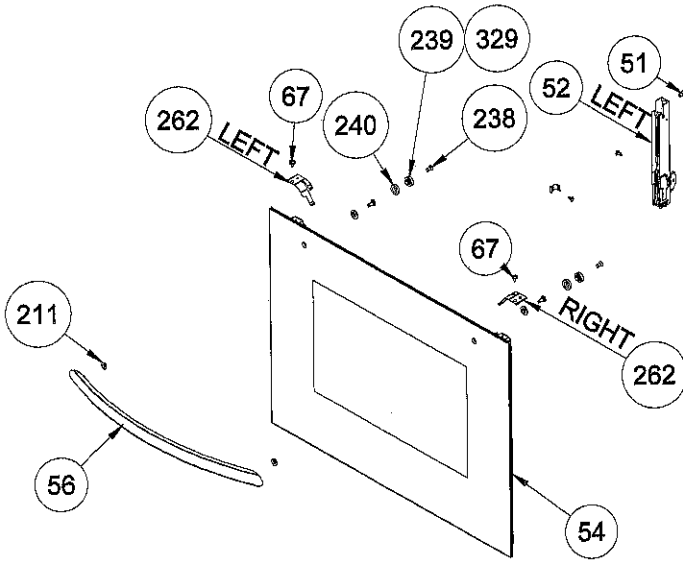
SHELF (OPTIONAL)

115

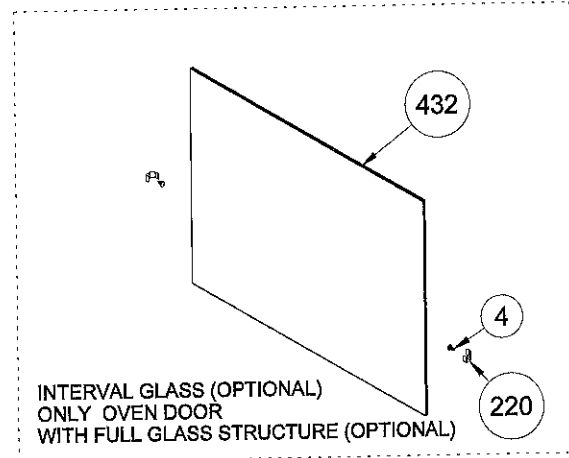
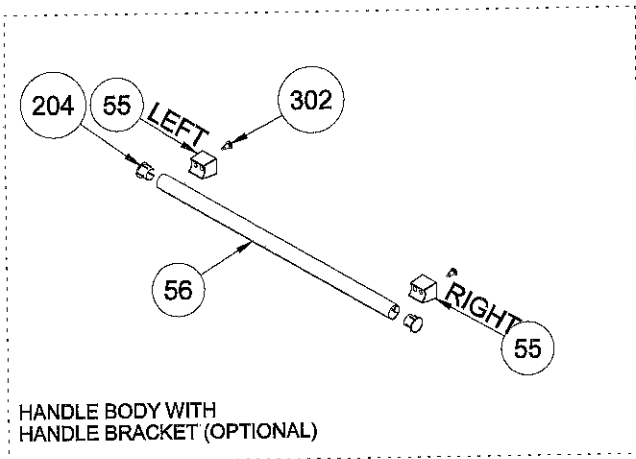
TURNSPIT ( OPTIONAL )

# OVEN DOOR ASSEMBLY EXPLODED VIEW (OPTIONAL)

POSITION  
NUMBER :377  
(DOOR)

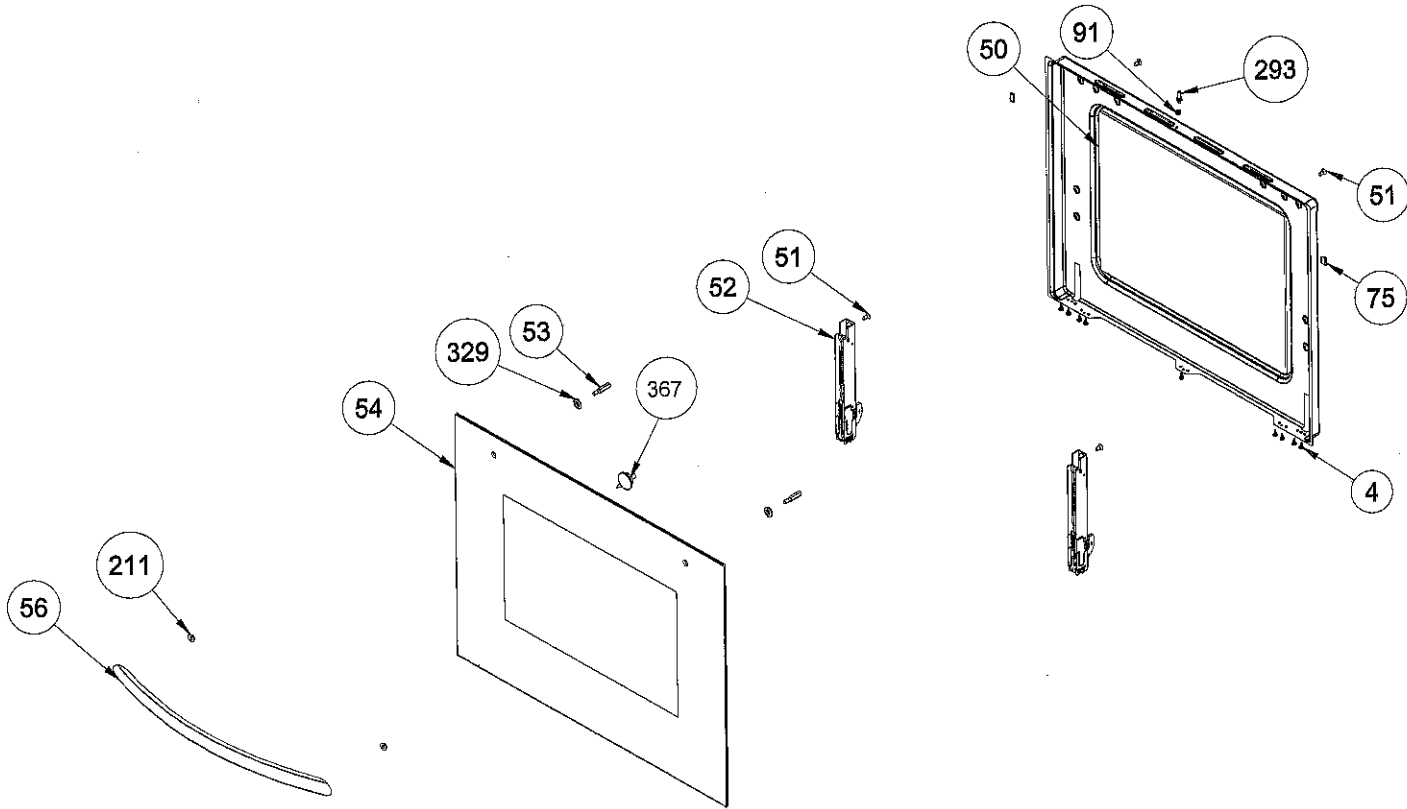


Note :  
220,239,240,432 is for Removable Third Glass Versions  
262,67 is for Removable Glass Versions



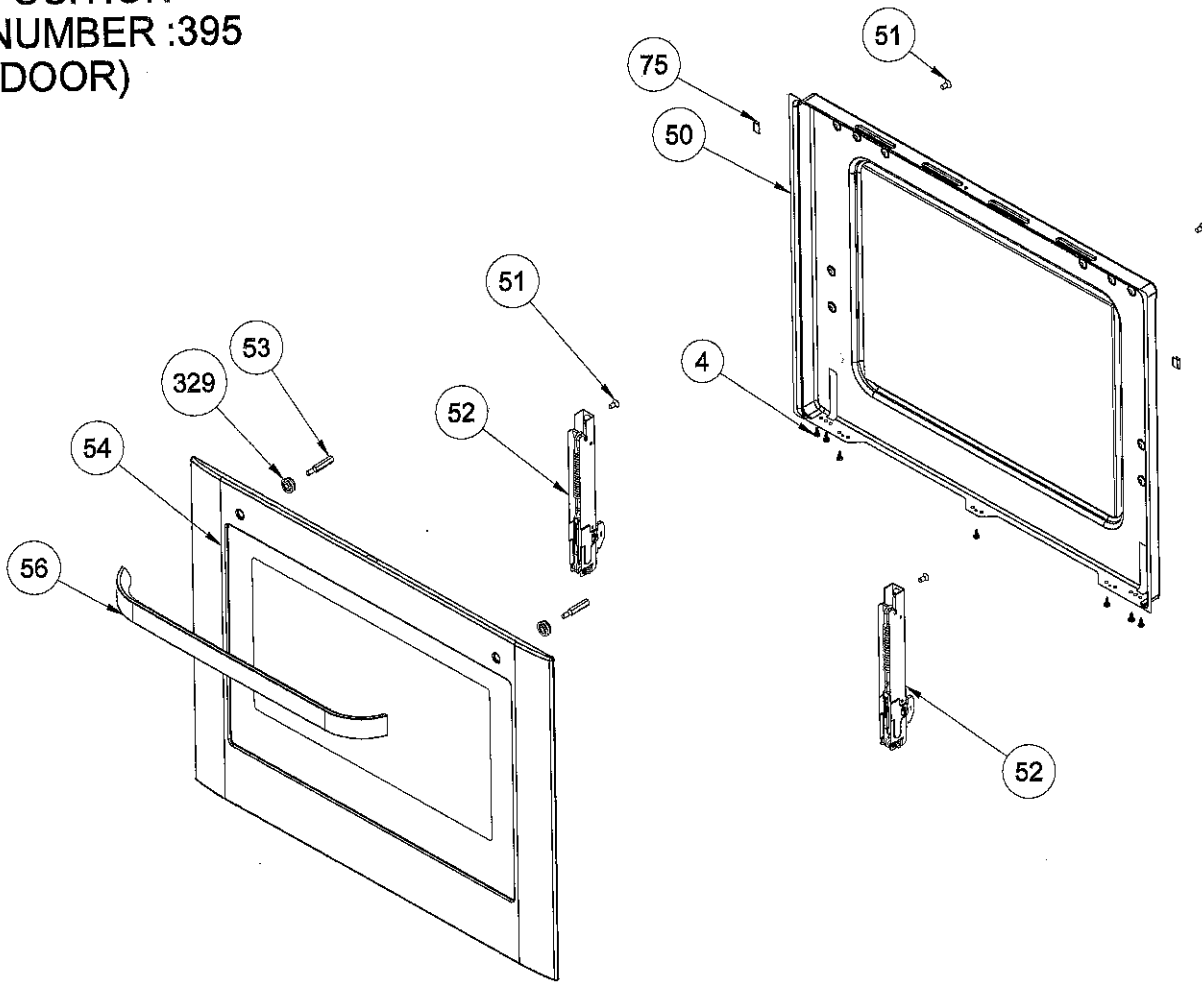
SOLID TYPE OVEN DOOR ASSEMBLY EXPLODED VIEW  
(FRONT VIEW OF GLASS)  
(OPTIONAL)

POSITION  
NUMBER :376  
(DOOR)

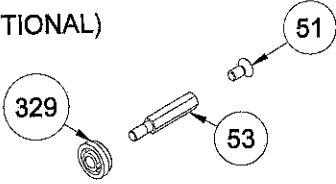


# SOLID TYPE OVEN DOOR ASSEMBLY EXPLODED VIEW (FRONT VIEW OF METAL WITH GLASS) (OPTIONAL)

POSITION  
NUMBER :395  
(DOOR)

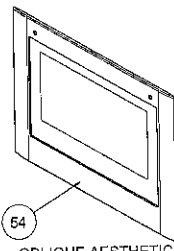


(OPTIONAL)

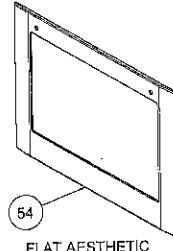


TYPE 1

HANDLE ASSEMBLY GROUP  
POSITION NUMBER : 49  
(OPTIONAL)



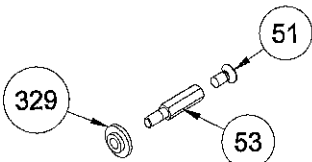
OBLIQUE AESTHETIC



FLAT AESTHETIC

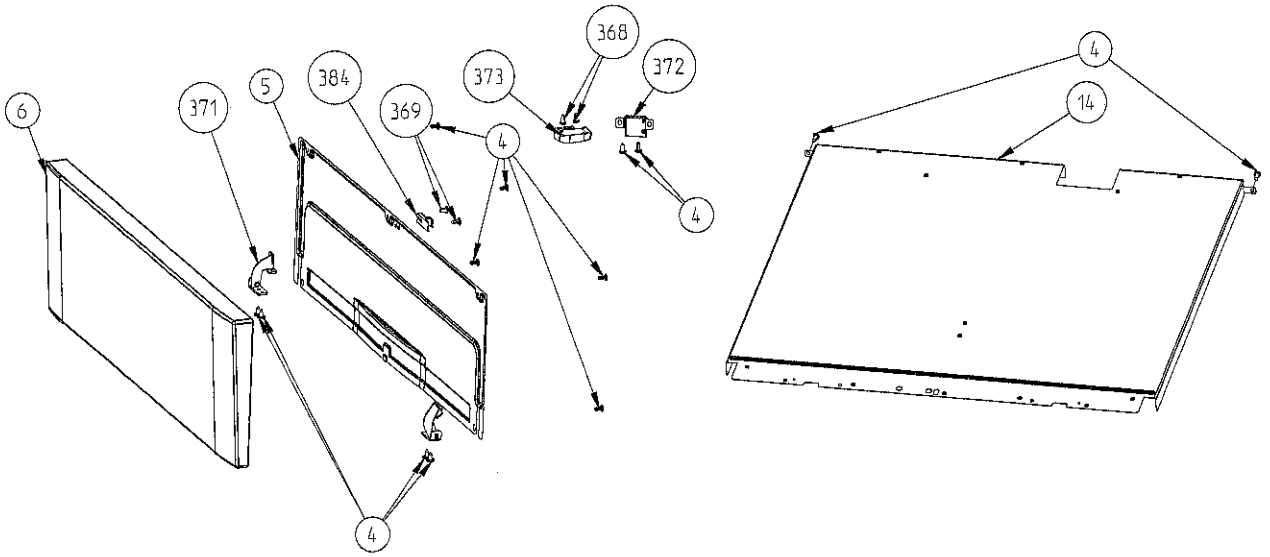
SOLID TYPE - POSITION NO 54 (OPTIONAL)

(OPTIONAL)

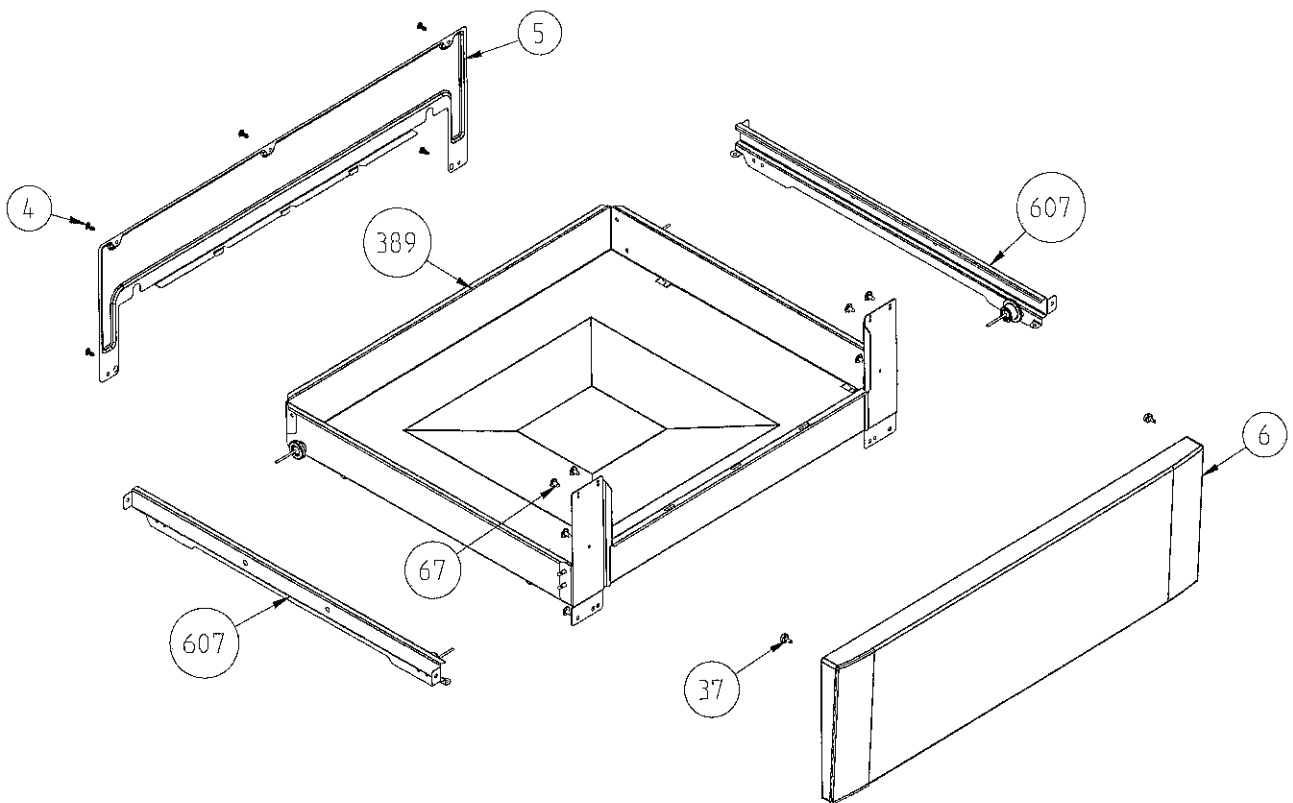


TYPE 2

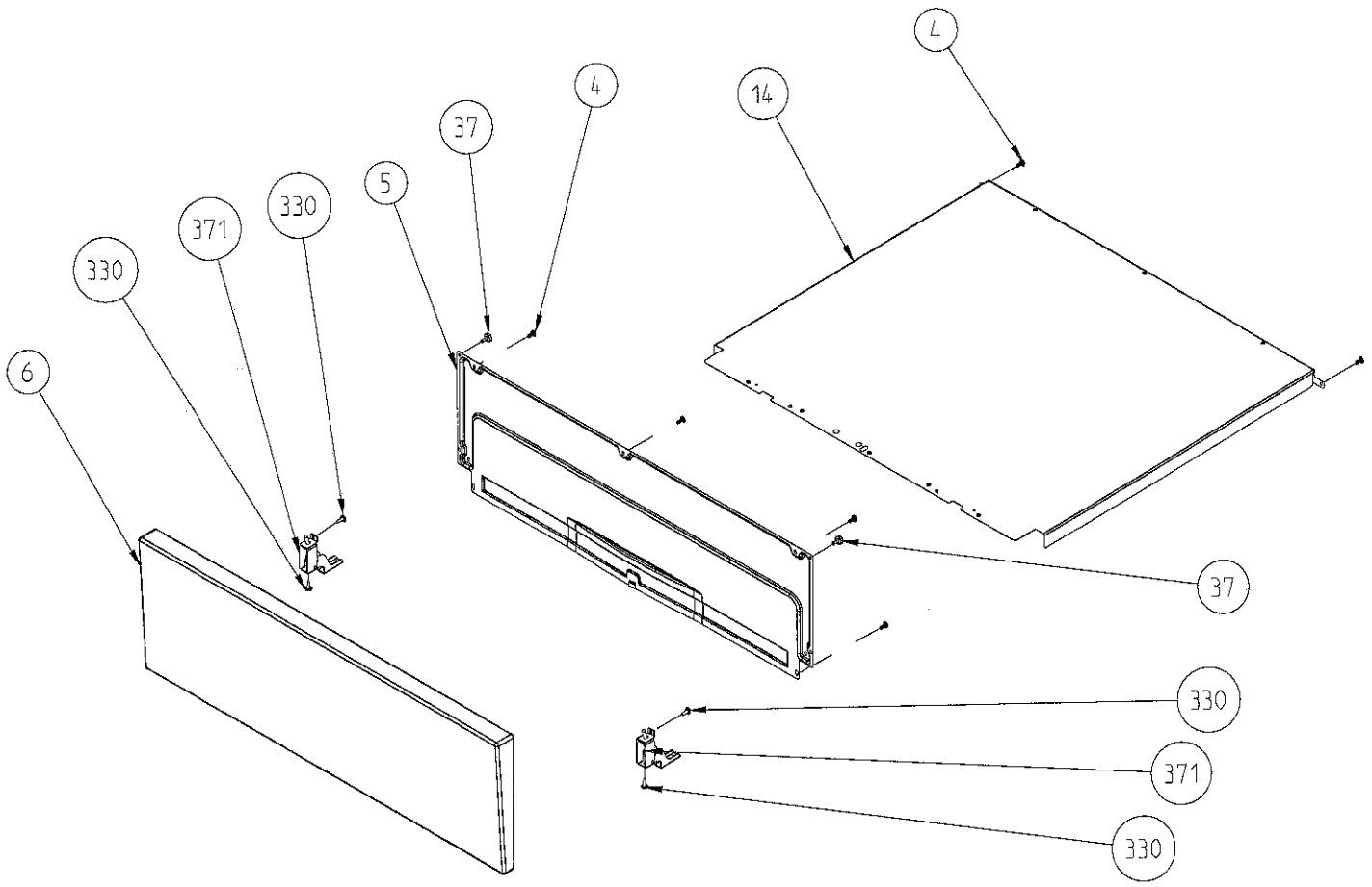
HANDLE ASSEMBLY GROUP  
POSITION NUMBER : 49  
(OPTIONAL)



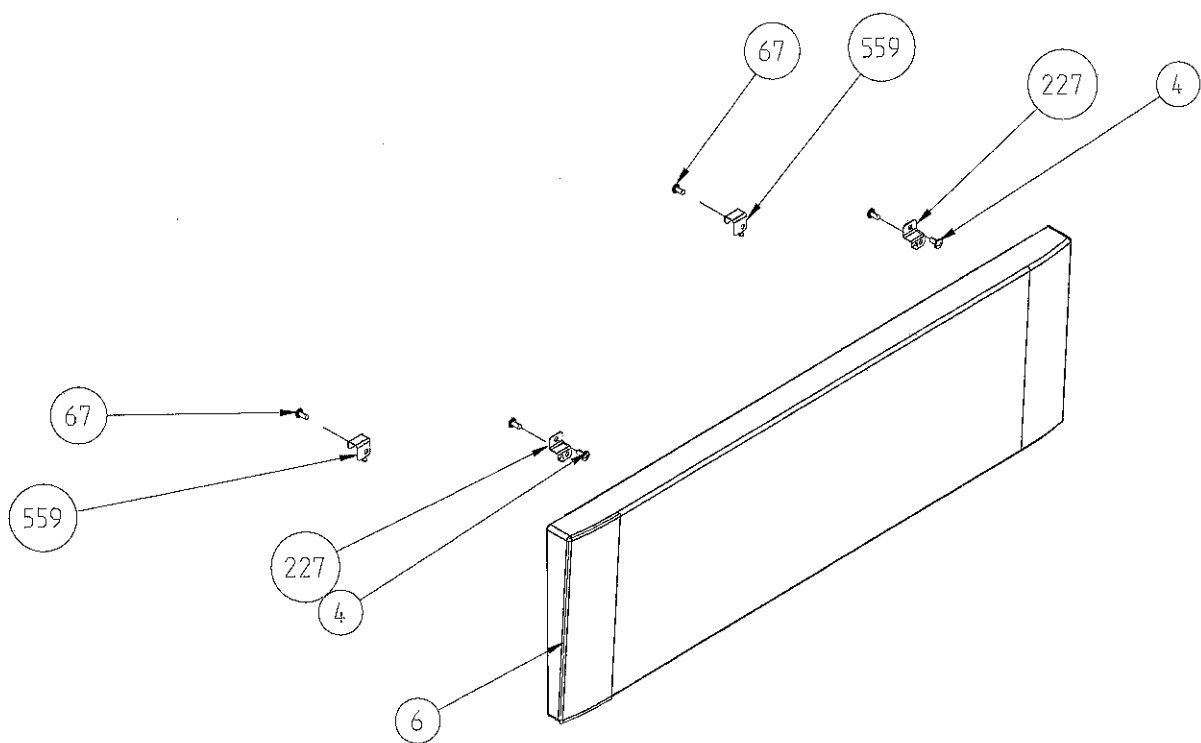
PUSH PULL FLAP DRAWER ASSEMBLY (OPTIONAL)



4WG DRAWER ASSEMBLY (OPTIONAL)

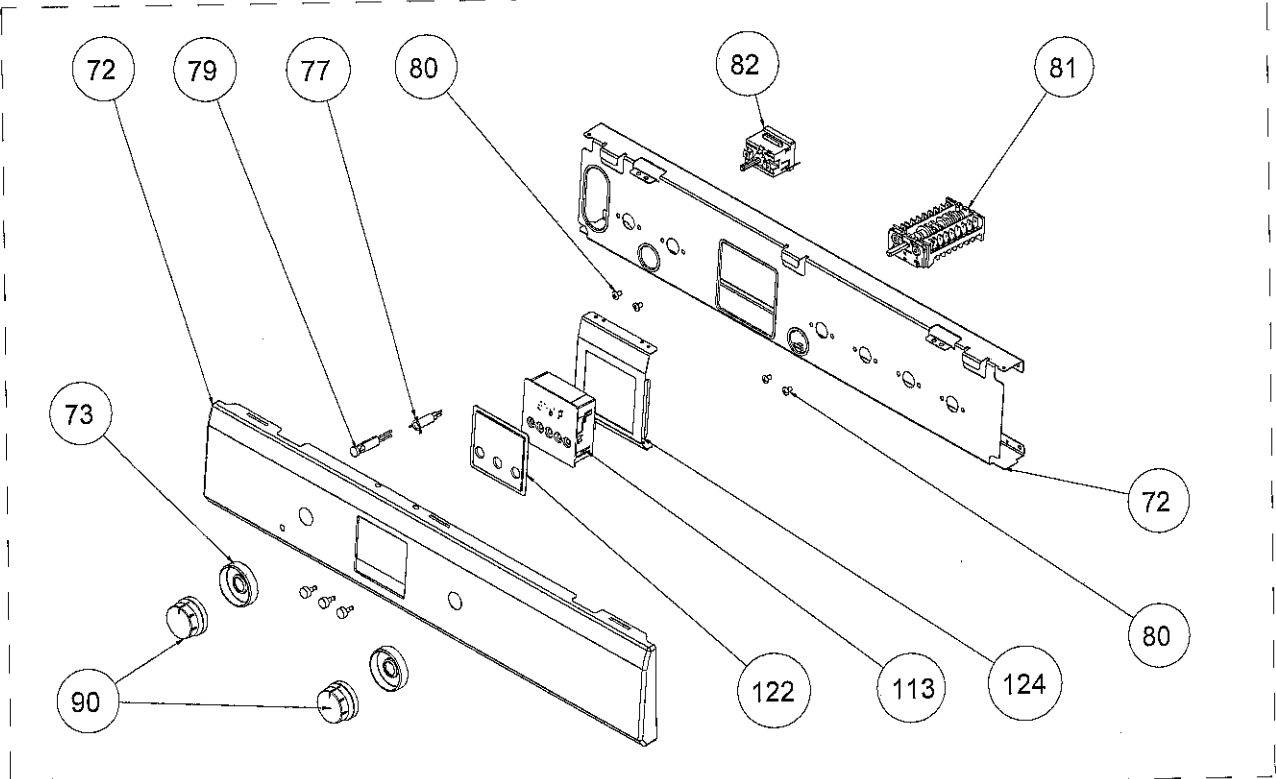


YNTB FLAP DRAWER ASSEMBLY

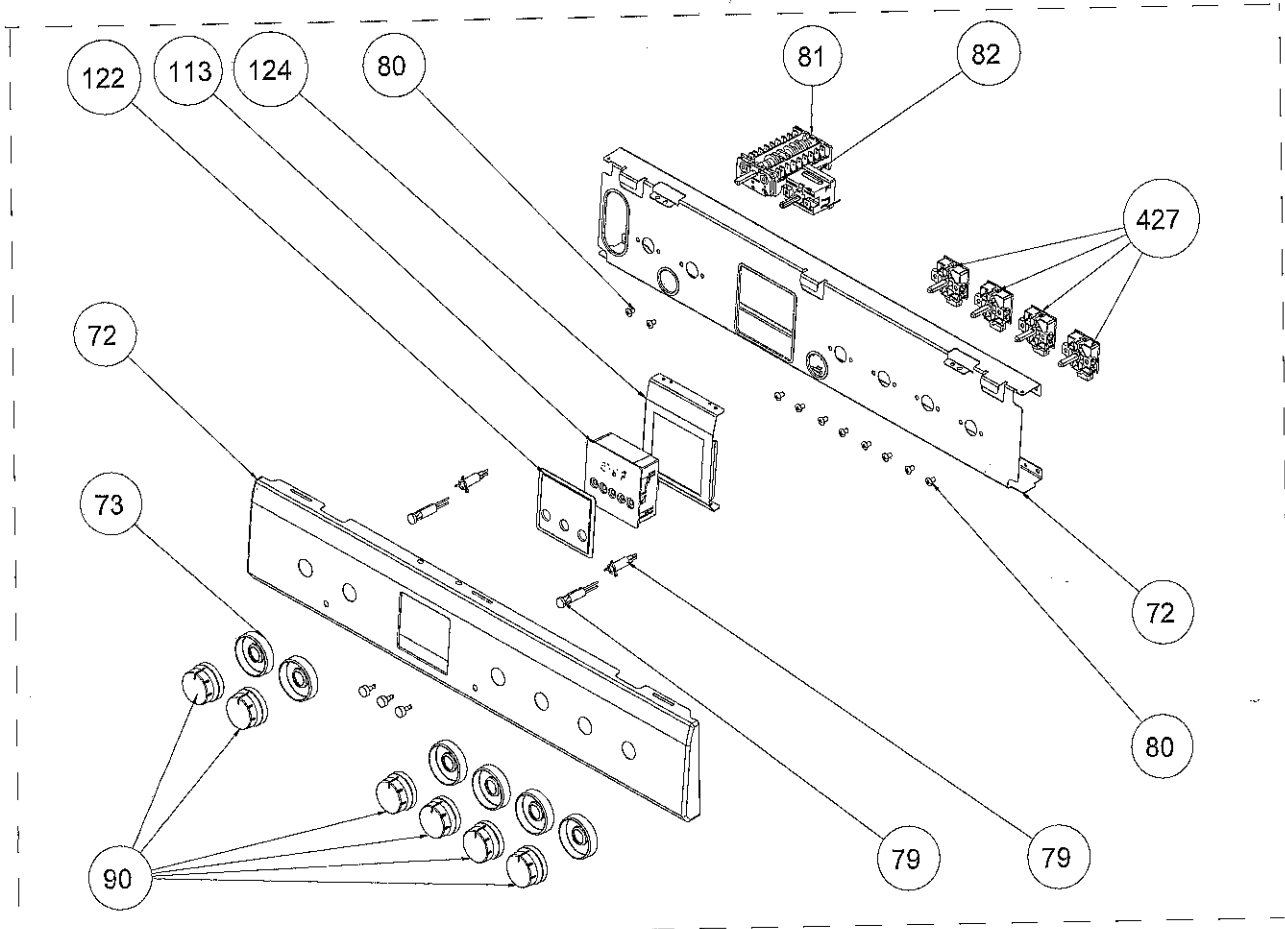


FIXED DRAWER ASSEMBLY  
(OPTIONAL)

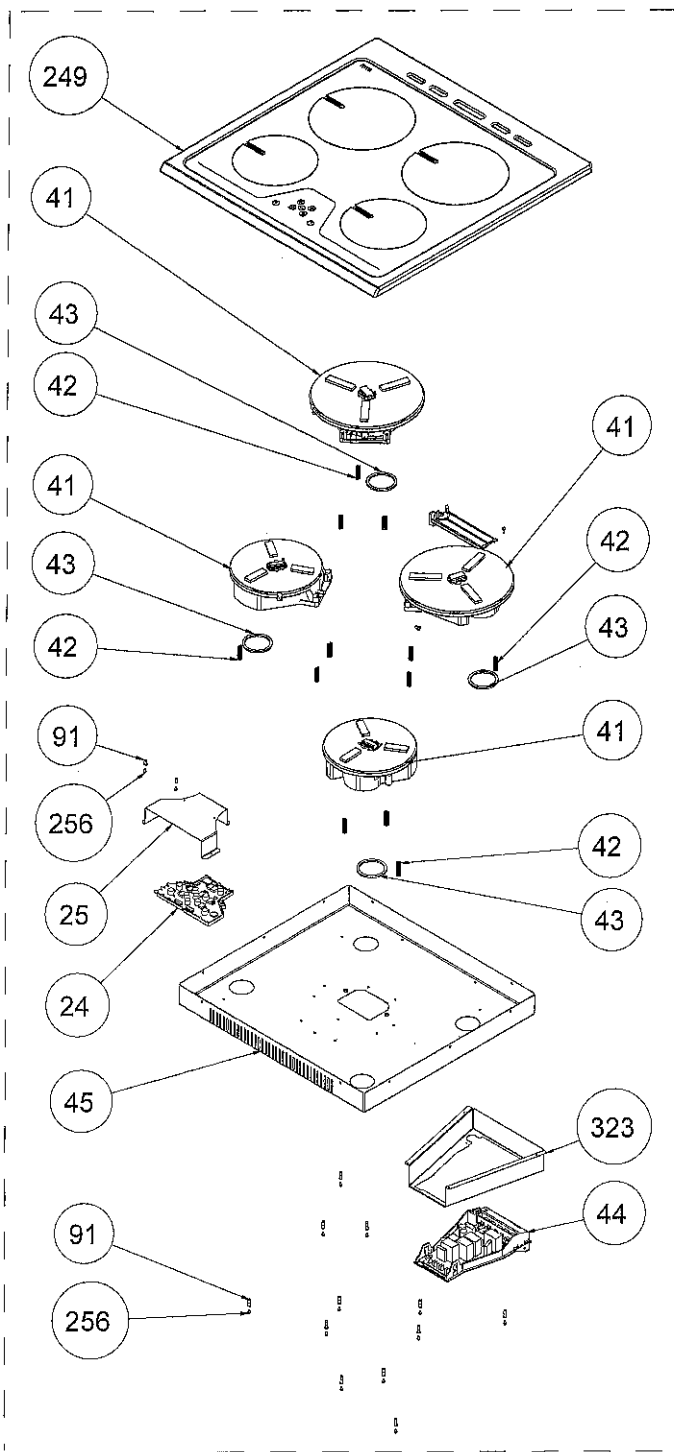




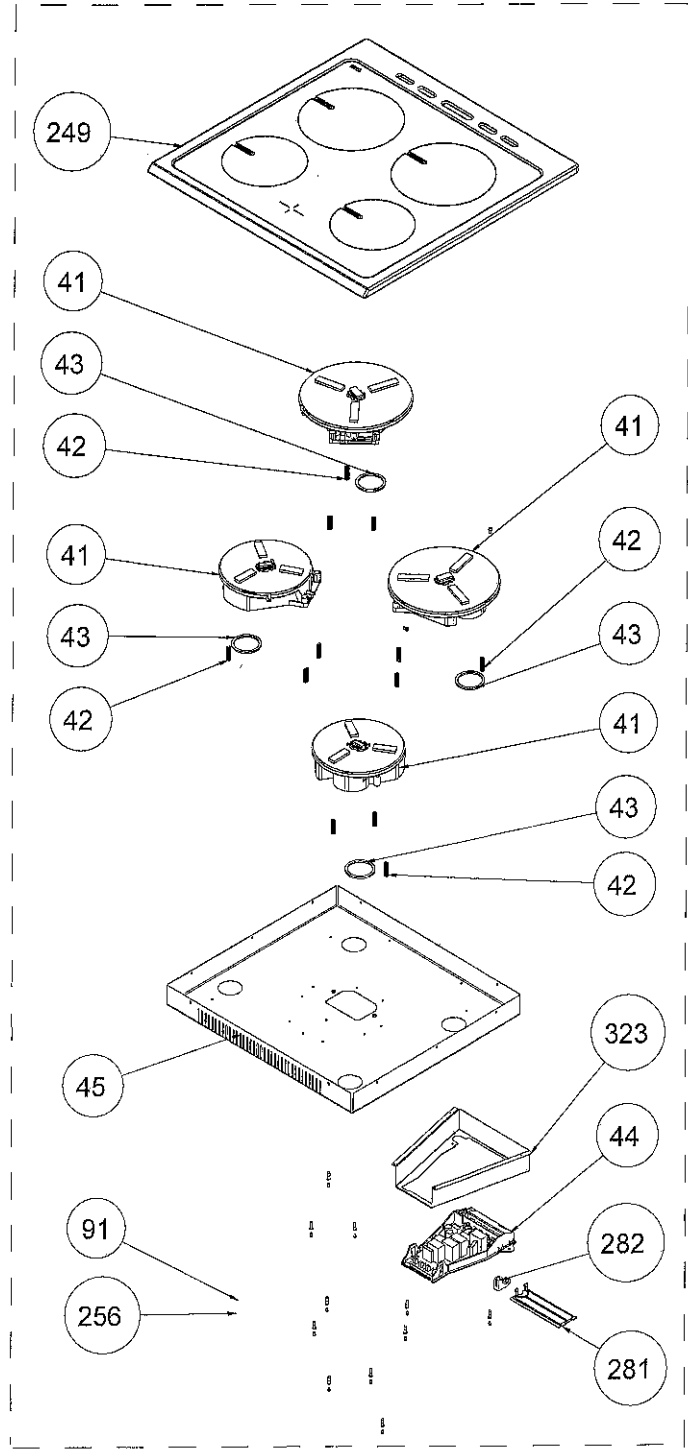
TOUCH CONTROL PANEL ASSEMBLY



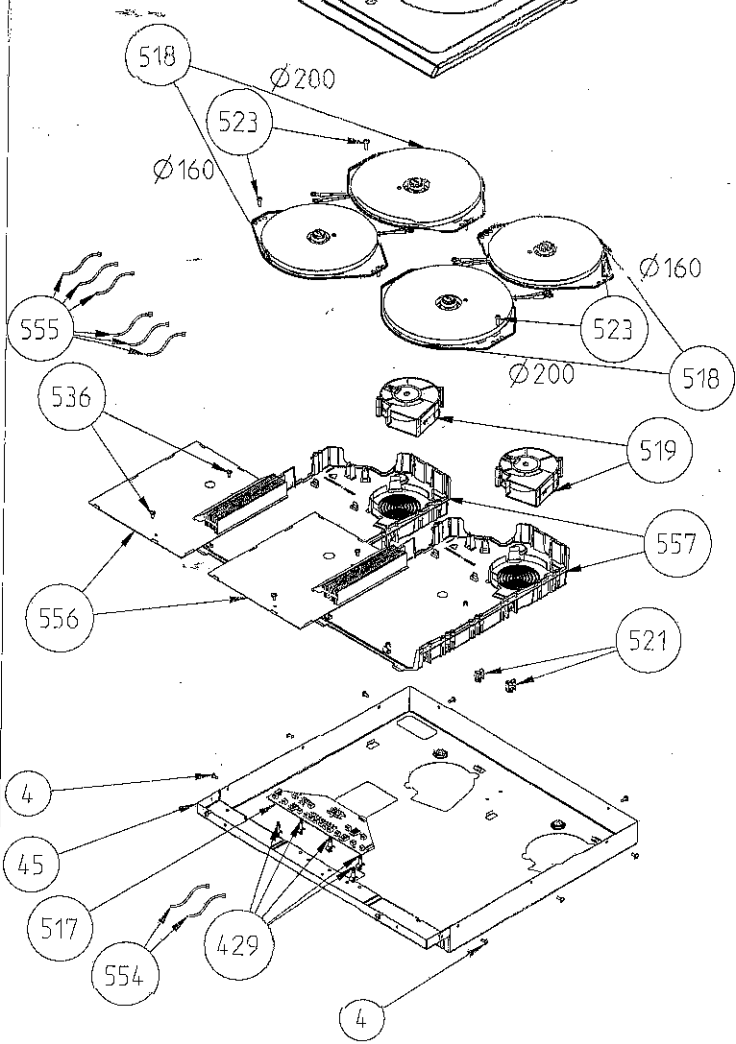
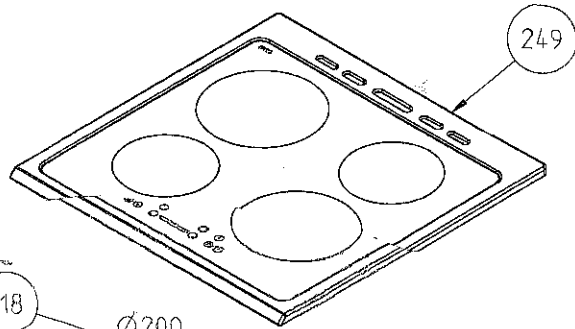
KNOB CONTROL PANEL ASSEMBLY



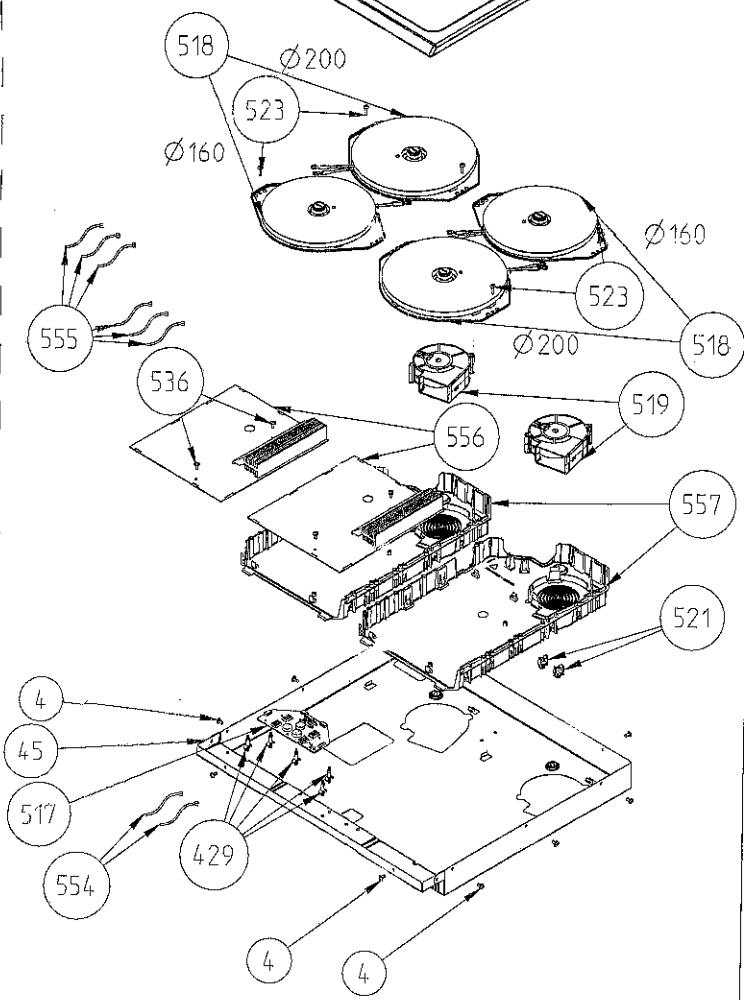
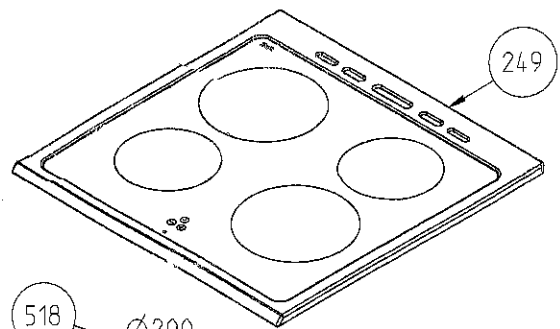
TOUCH CONTROL COOKTOP ASSEMBLY



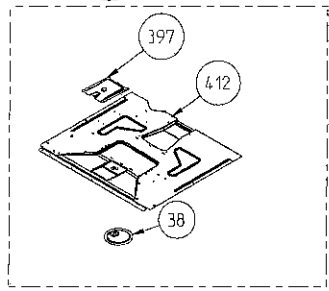
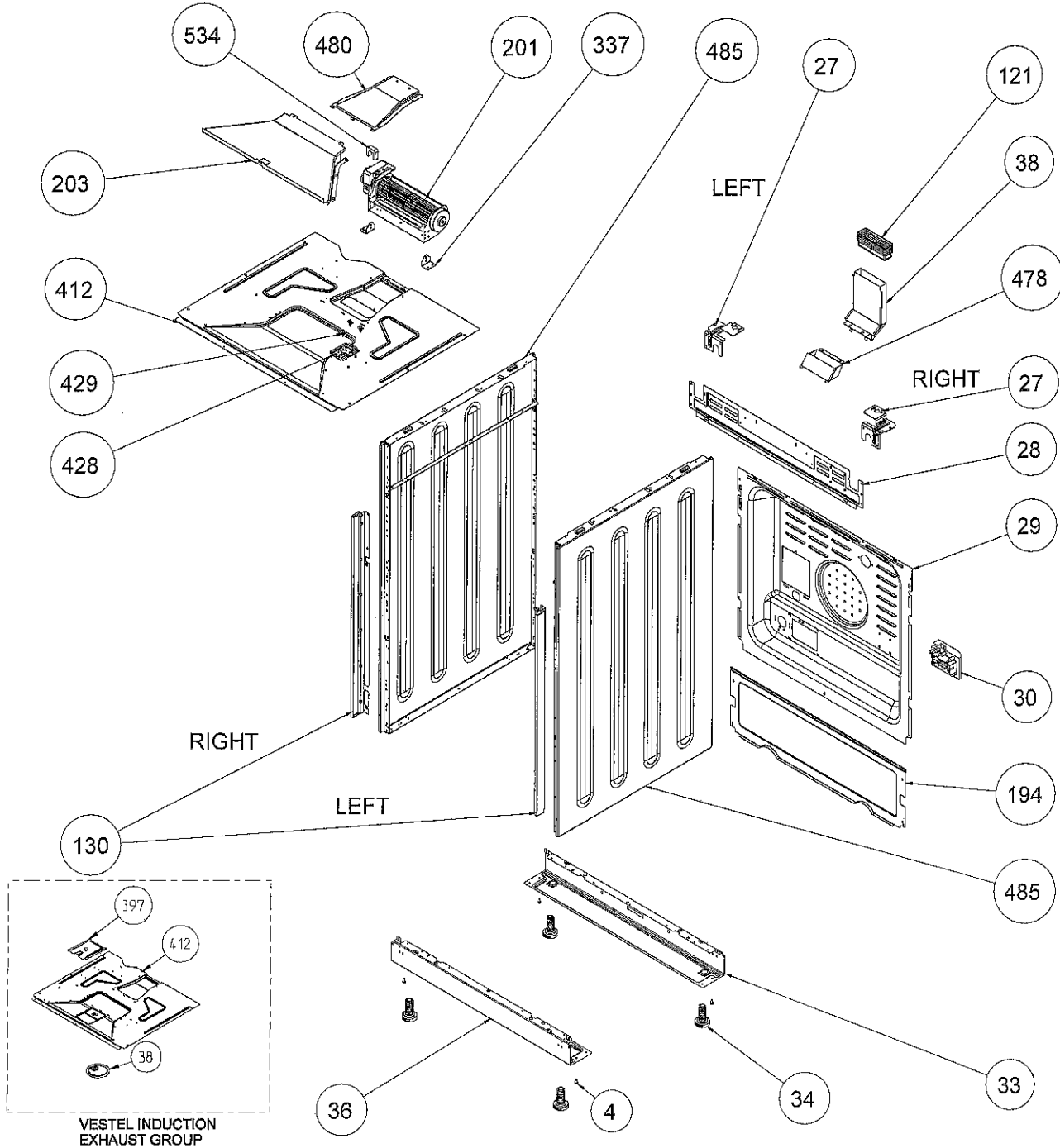
KNOB CONTROL COOKTOP ASSEMBLY



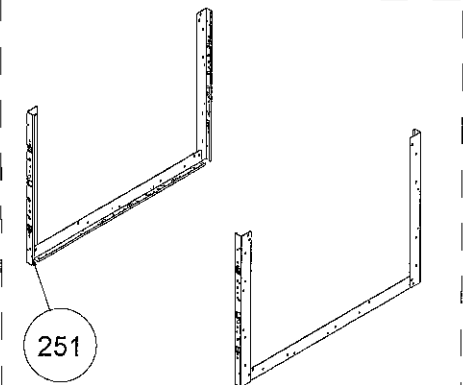
TOUCH CONTROL SLIDER COOKTOP ASSEMBLY



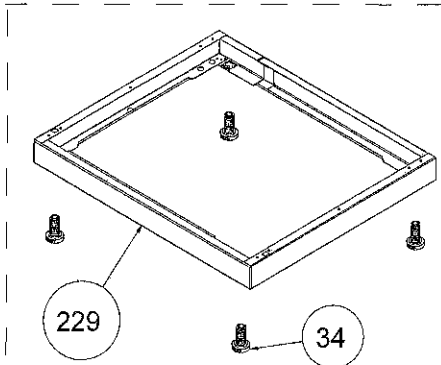
KNOB CONTROL COOKTOP ASSEMBLY



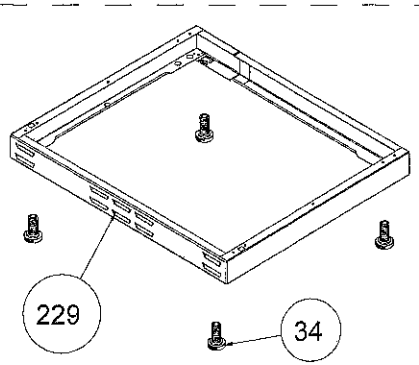
VESTEL INDUCTION EXHAUST GROUP



SIDE PANEL SUPPORT BRACKET ( ONLY FOR 85 CM )

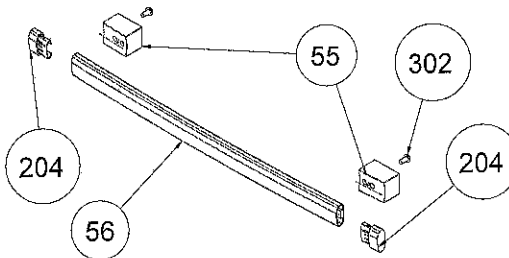
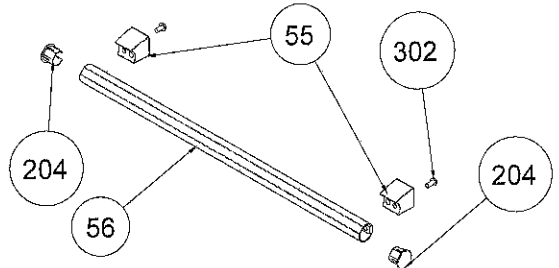
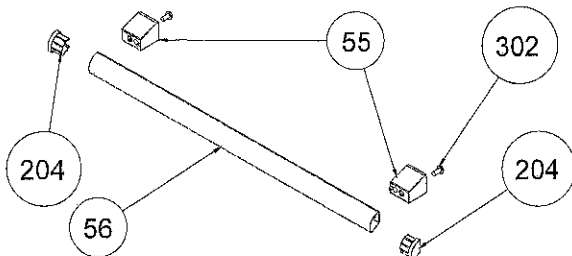
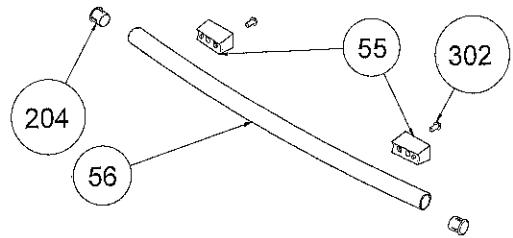
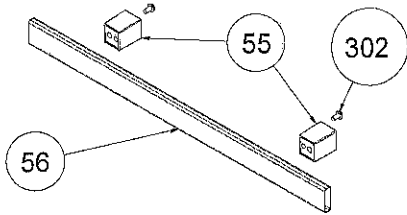
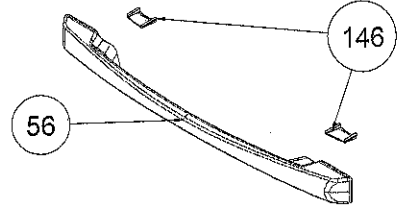
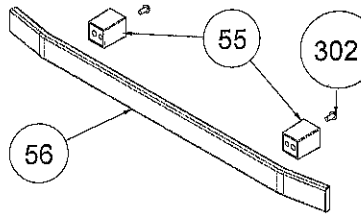
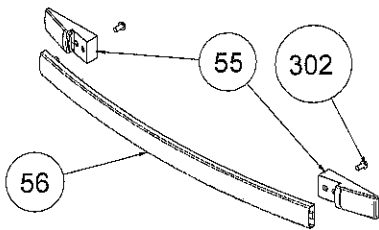
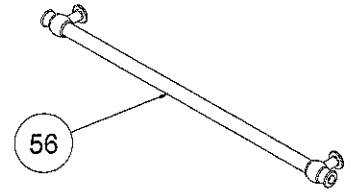
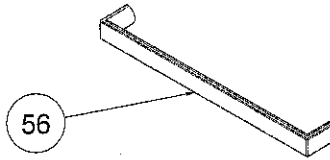
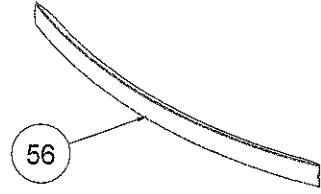
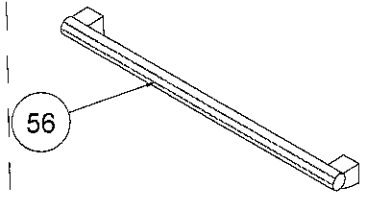
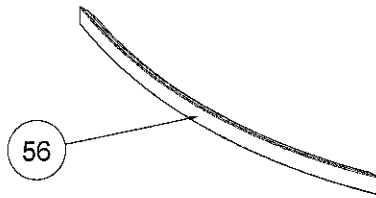
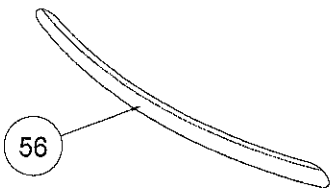


ADDITIONAL BOTTOM SUPPORT

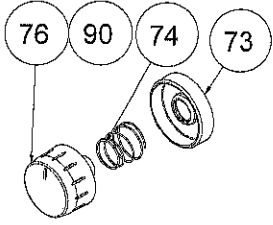


EXTRA BOTTOM SUPPORT (WITH LOUVRES)

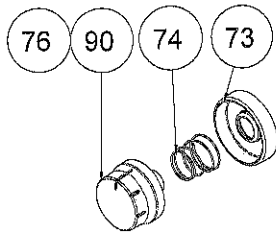
OPTIONAL ( ONLY FOR FS 90 CM )



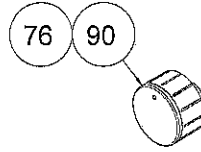
KNOBS ( ONLY FOR NEW G - OPTIONAL )



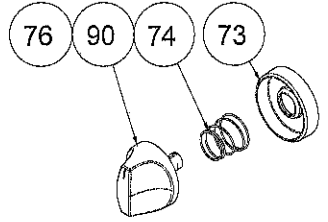
OMEGA



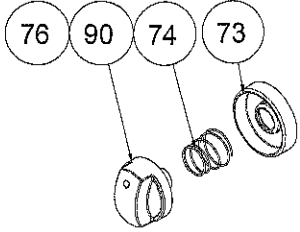
EPSILON



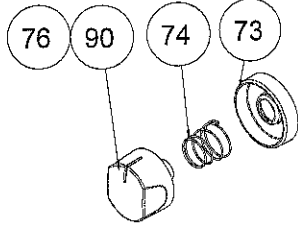
BIG MACRO  
( ONLY FOR NEW G ELECTRIC/  
NEW G VITROCERAMIC - OPTIONAL )



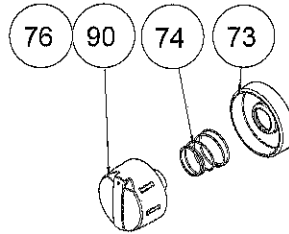
GAMA RING



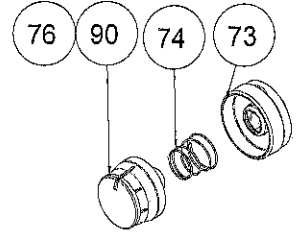
ECLIPSE RING



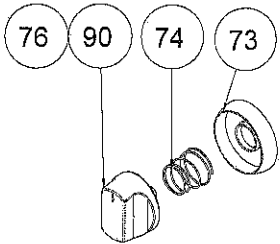
RIMO



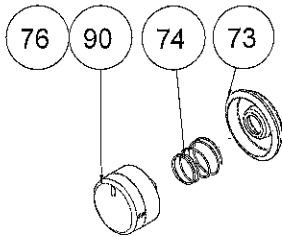
ANTERO



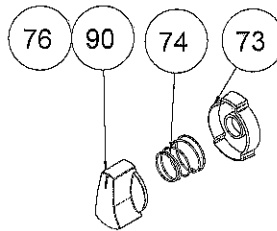
SPECTRUM



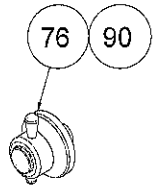
TRIO



SIGMA



DELTA RING



RUSTIC RISUS