

**A023**  
 Present until  
 production of  
 January 21st 2007

FRONT. "CM 7p-12 led-1m"  
T40/3E  
19/05/2005

B360

B050

B058

B059

B047

B081

B400

B039

B034

B043

B045

B044

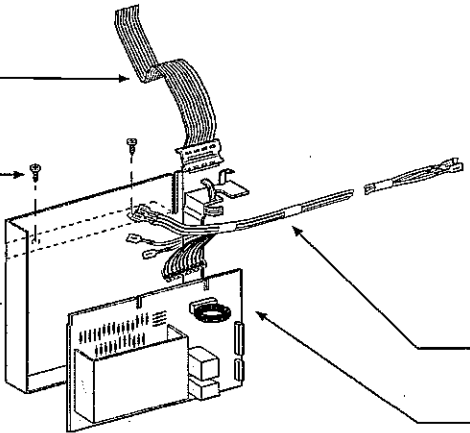
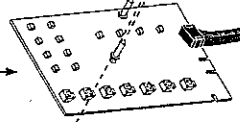
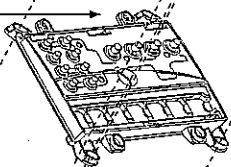
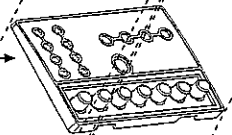
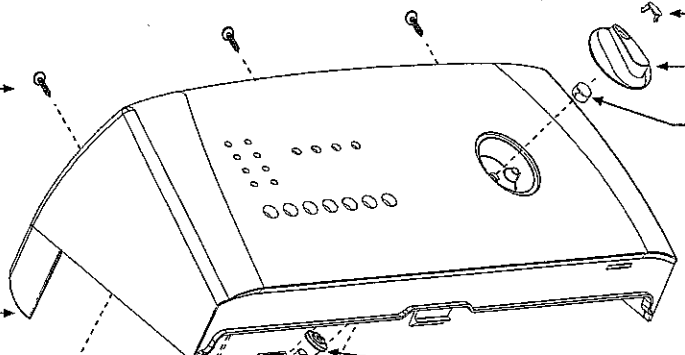
B055

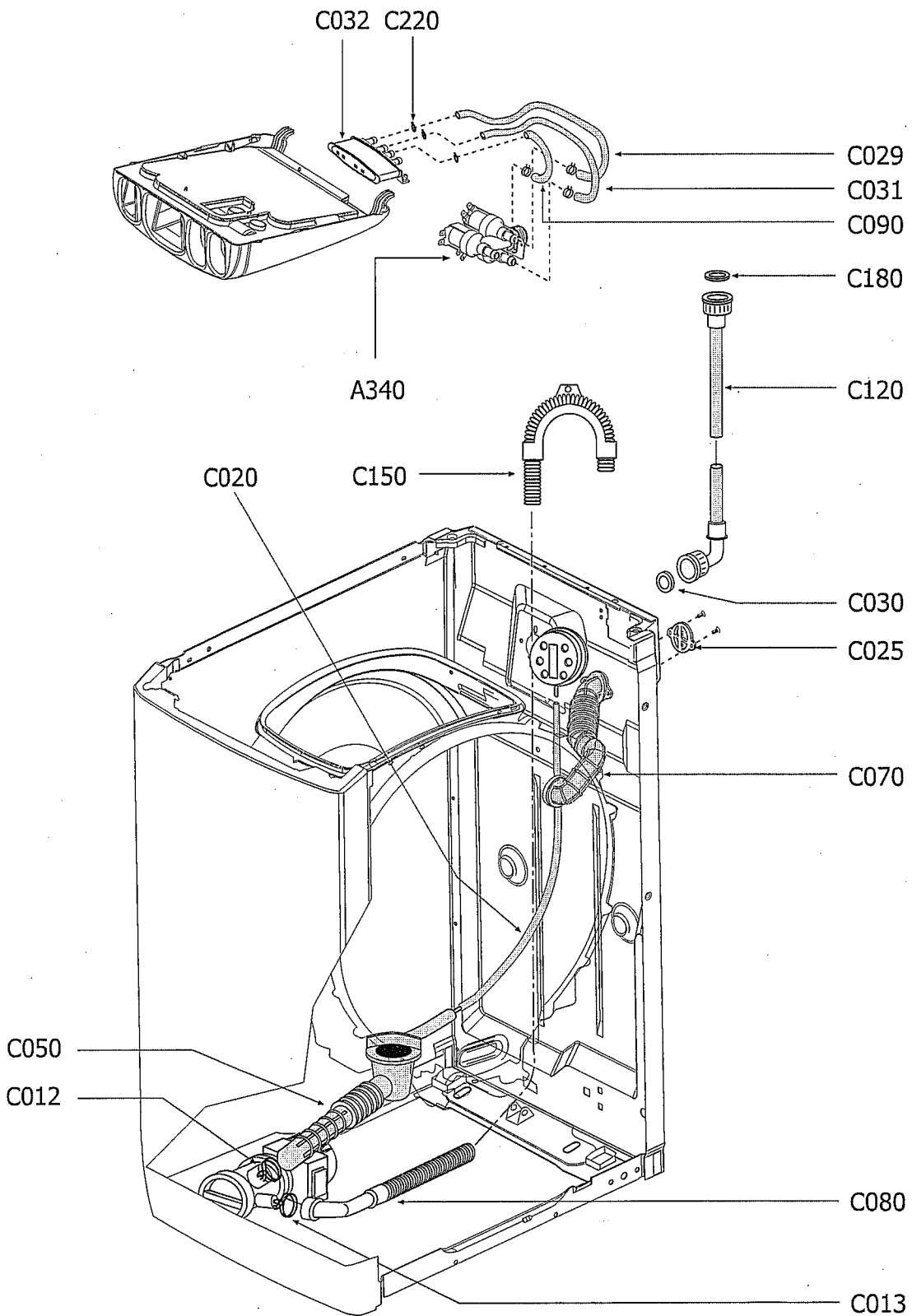
B019

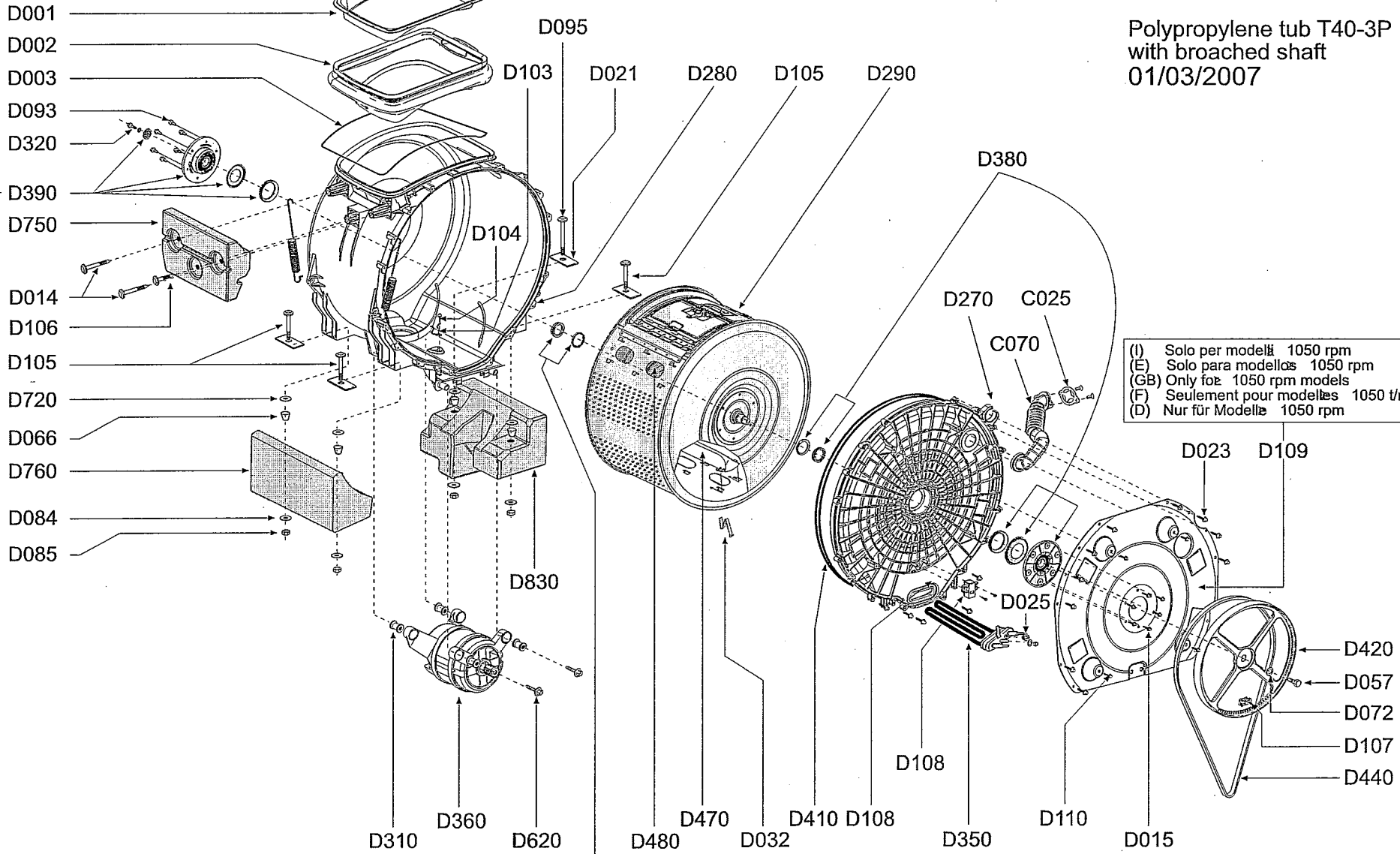
B350

B040

B340







Polypropylene tub T40-3P  
with broached shaft  
01/03/2007

- (I) Solo per modelli 1050 rpm
- (E) Solo para modelos 1050 rpm
- (GB) Only for 1050 rpm models
- (F) Seulement pour modèles 1050 t/min.
- (D) Nur für Modelle 1050 rpm

Polypropylene tub T40-3P  
01/03/2007

