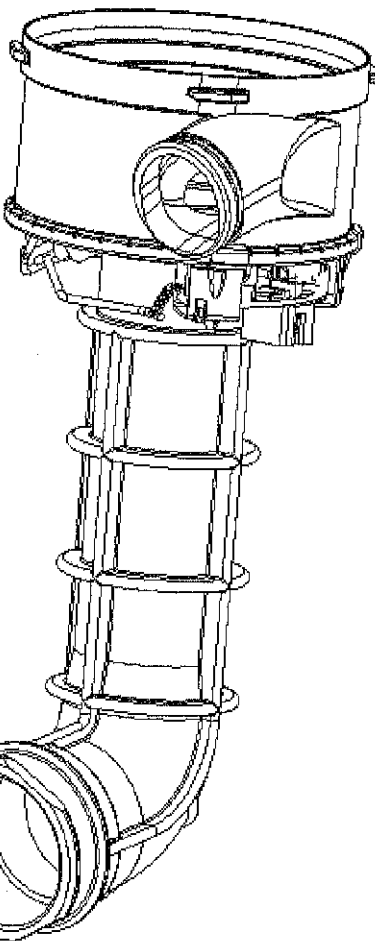
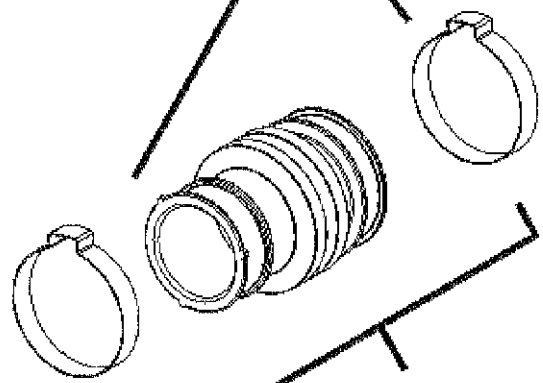


400 0



450 0

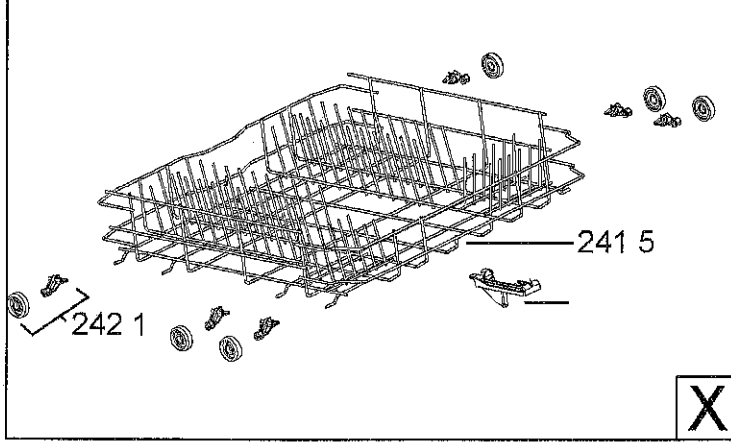
901 2



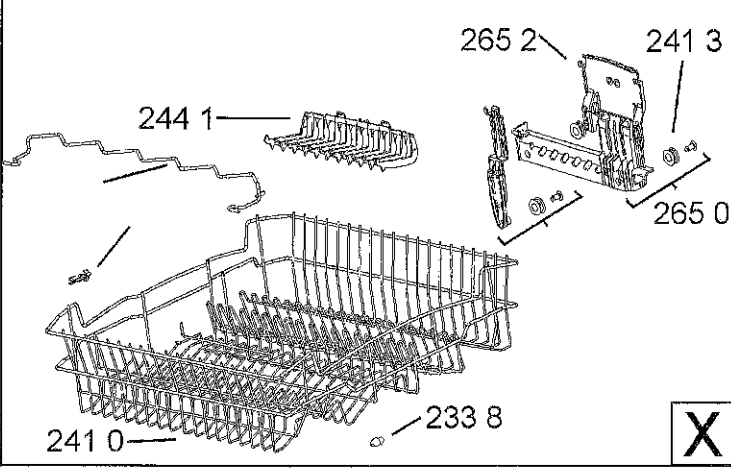
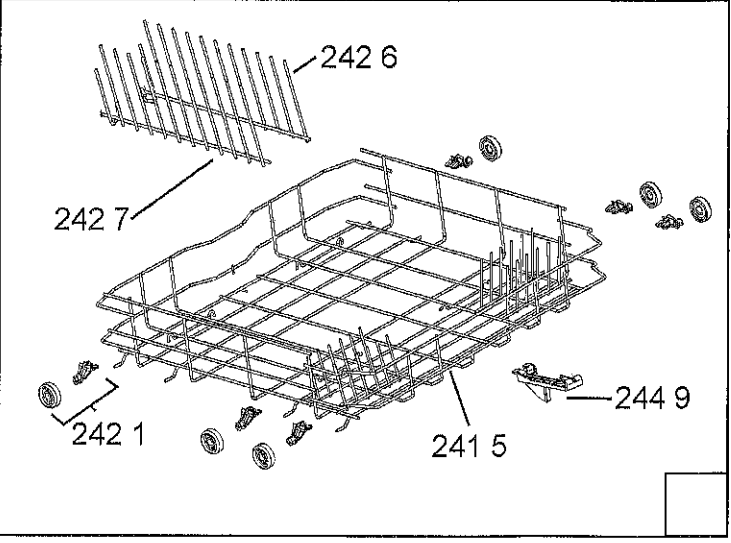
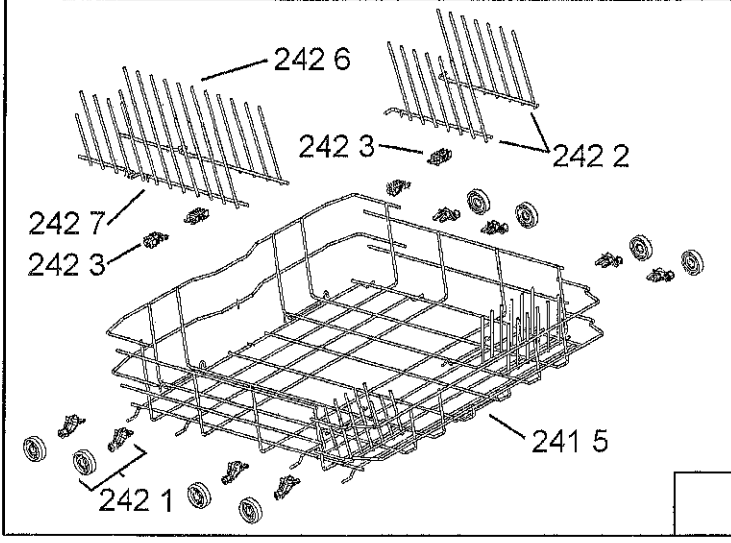
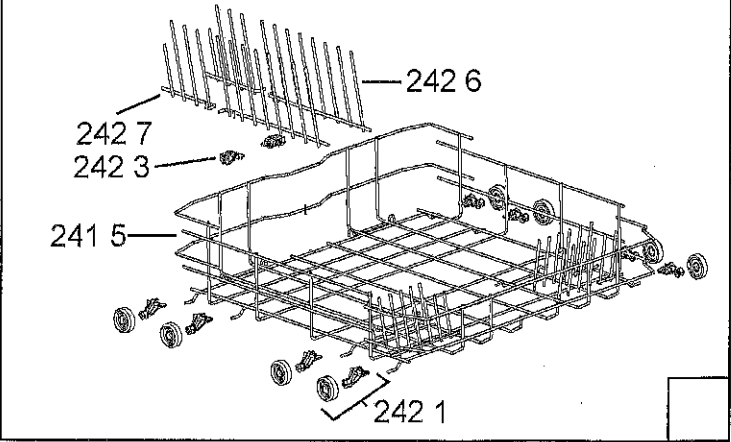
450 1

901 1

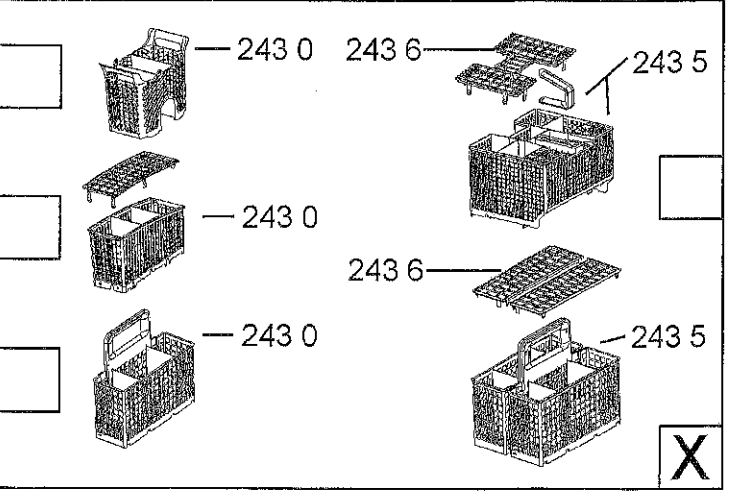
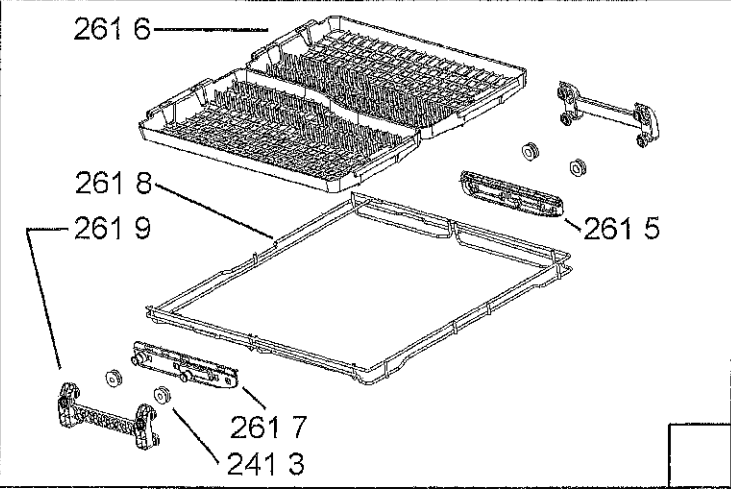
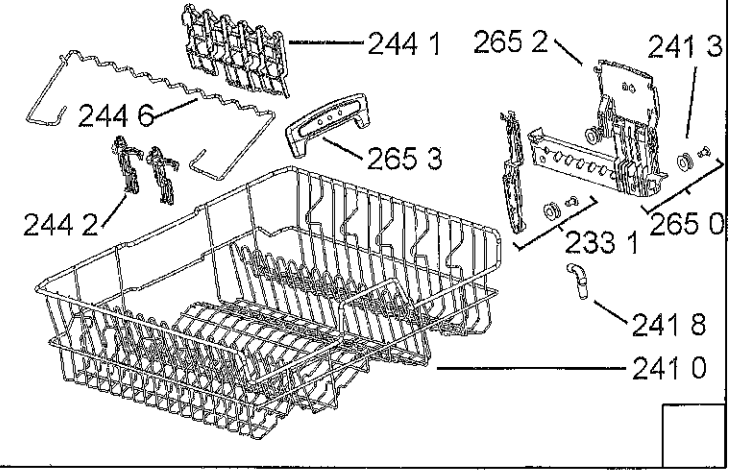




X



X



X