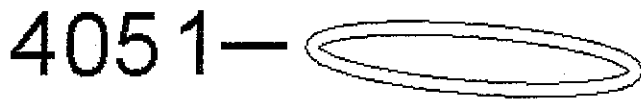
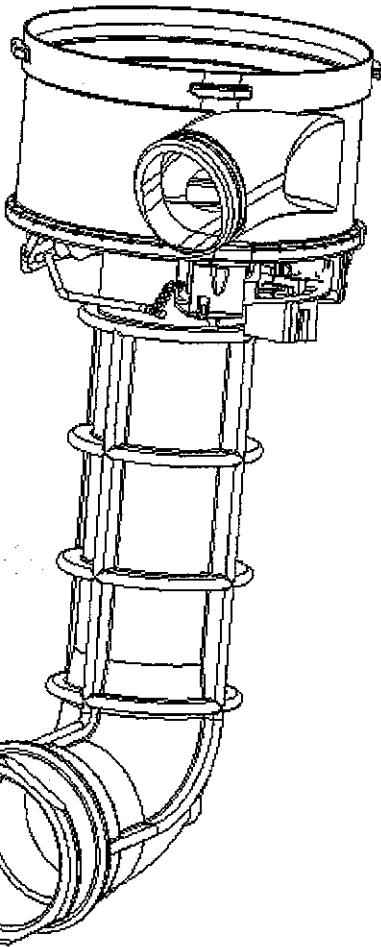


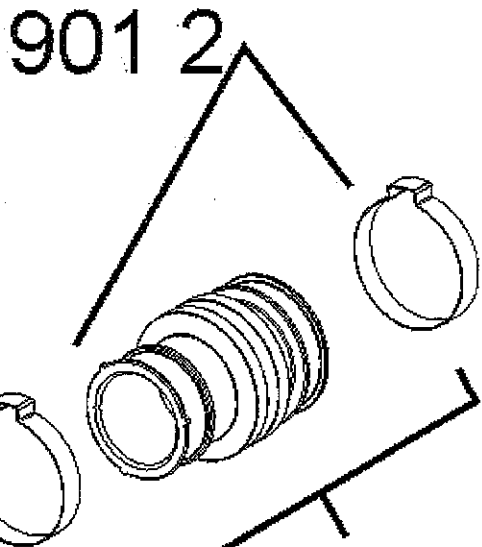
400 0



405 1

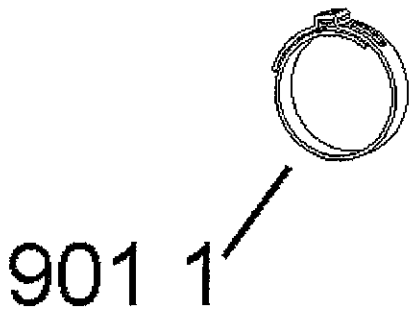


450 0

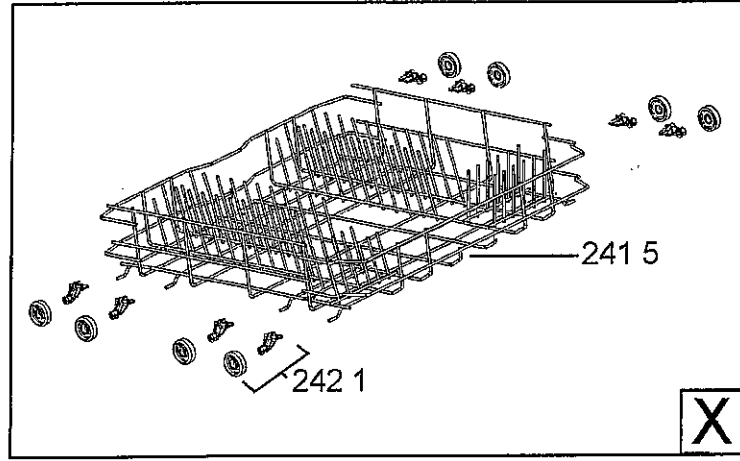


901 2

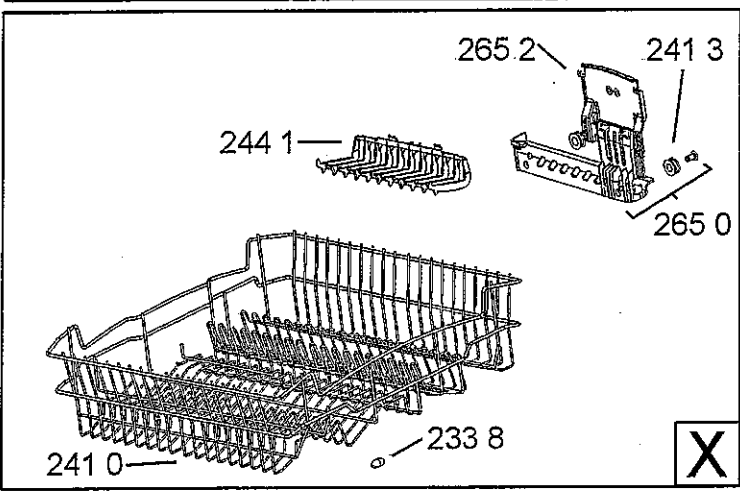
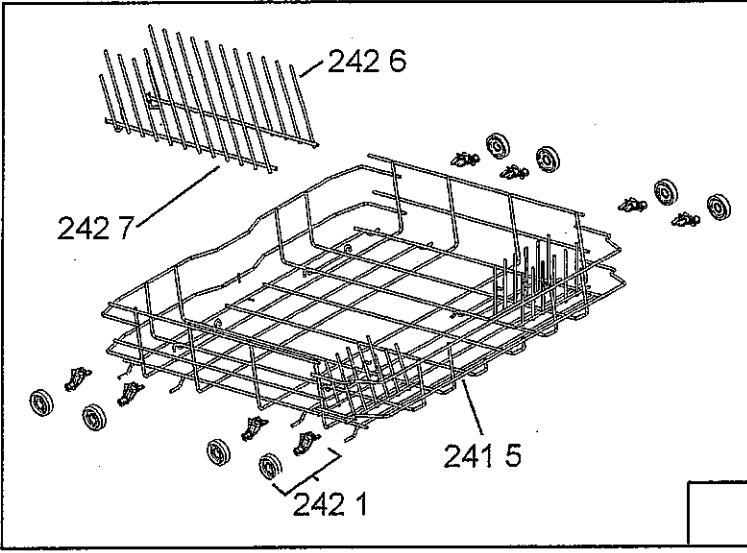
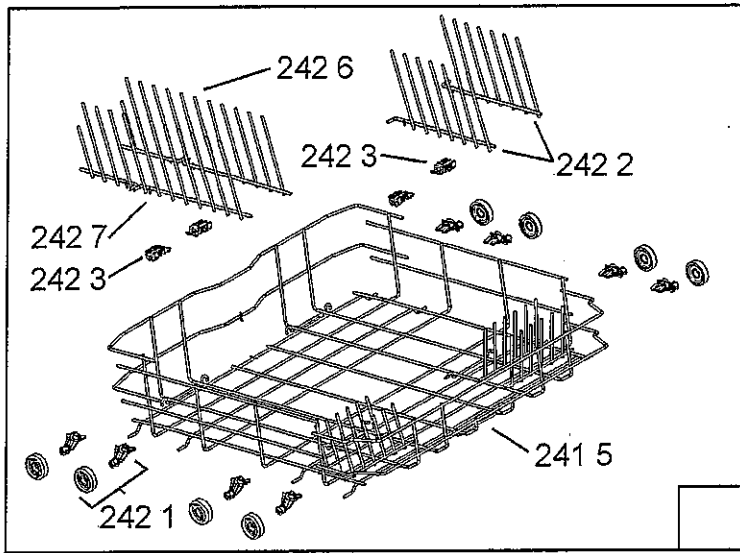
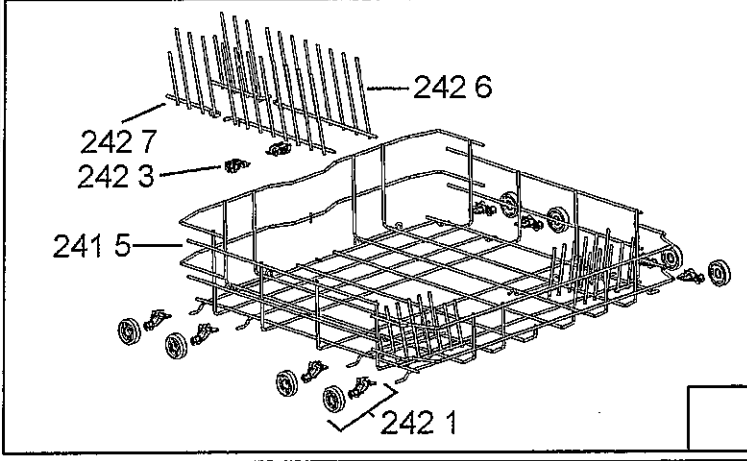
450 1



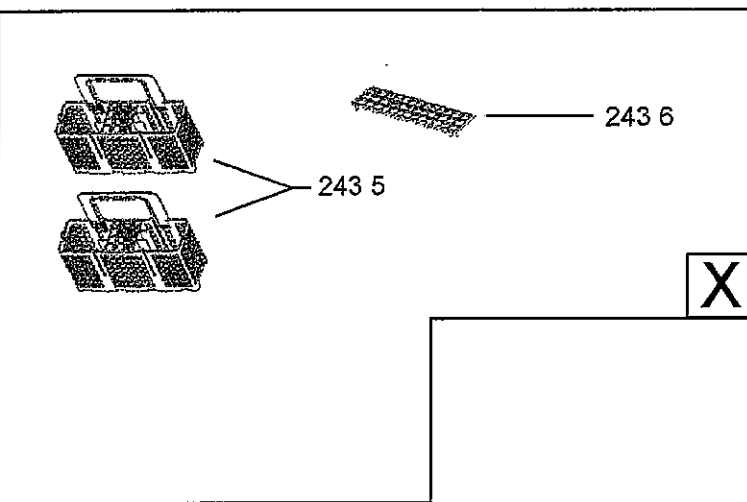
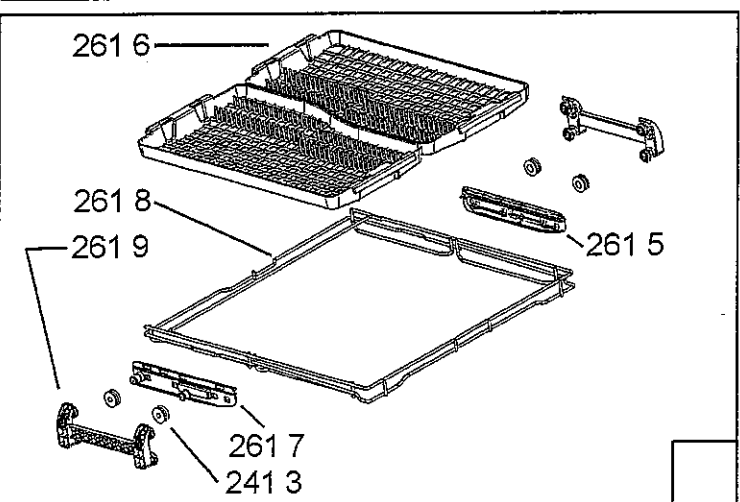
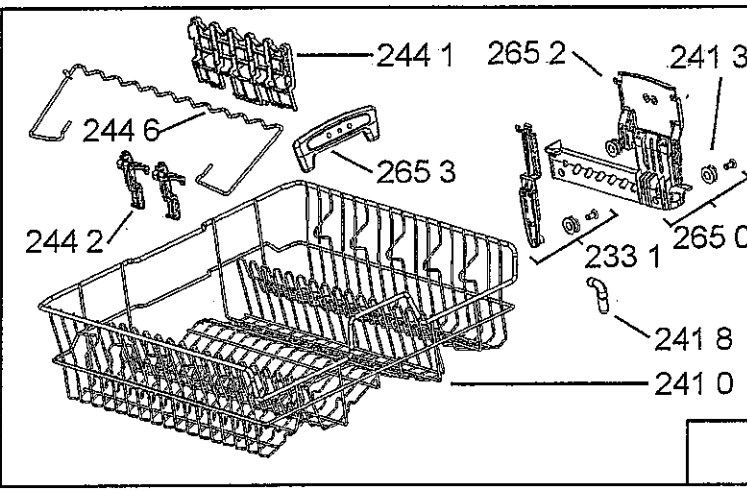
901 1



X



X



X